

# RUGGED MILITARY

## 12.1" Rugged Military Panel PC, Touch, Quad Core 2.16GHz

4GB RAM, 120GB SSD, 2 Gb LAN, 2 COM, 2 USB, DC9-32V Design to meet MIL-STD-810, MIL-STD-461F Navy,- DC Power Grade : DC military grade power supply  
- Input Volt : DC 9 up to 32V wide input range  
- Connector : military circular connector

Operating Temperature  
Support -5C to +60C

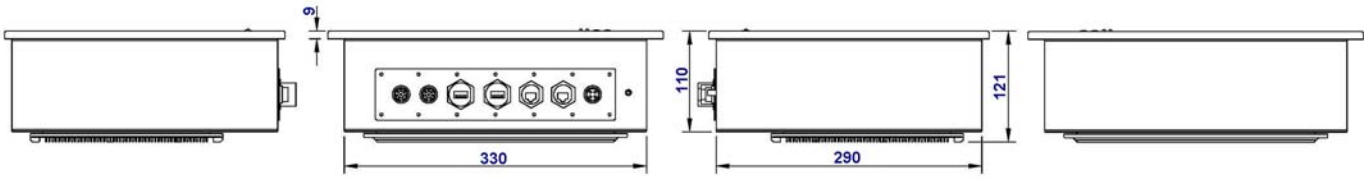
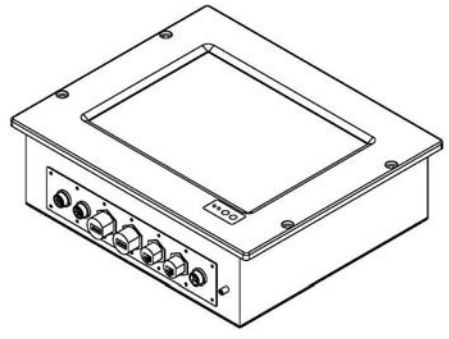
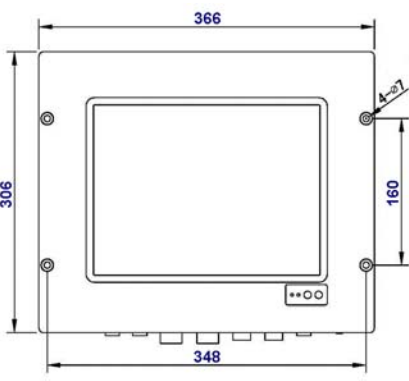
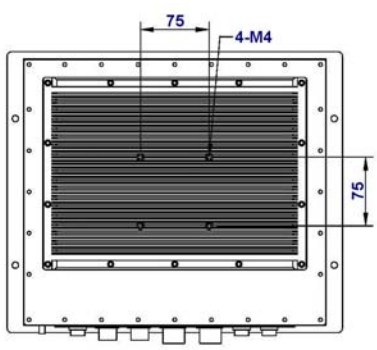


## Model: NGPC1210-QC

### FEATURES:

- Rugged Military 12.1" Panel PC
- Res: 1024 x 768
- 350nits brightness
- DC military grade power supply
- Touchscreen

### MECHANICAL:



## SPECIFICATIONS:

<b>LCD Size, Resolution, Brightness, Contrast, Dot Pitch</b>	<b>LAN &amp; Serial Port</b>
12.1" TFT LCD, 1024 x 768 resolution - Brightness : 350 cd/m2 ; - Contrast Ratio : 600 : 1	LAN : 2 Giga LAN with military circular connector COM : 2 RS232 with military circular connector USB : 2 USB2.0 with military circular connector
<b>View Angle, Response Time, Display Color</b>	<b>DC power</b>
- View Angle : 80 / 80 / 80 / 60° - Operating Temperature : LCD module support -30~ +80°C - Display Color : 16.2 Million color	- DC Power Grade : DC military grade power supply - Input Volt : DC 9 up to 32V wide input range - Connector : military circular connector
<b>Touch Screen</b>	<b>Mechanical Construction</b>
- Touch type : Resistive Touch - No. Wire / Resolution : 5-Wire, 4096 x 4096 resolution	- Front Bezel : aluminum rugged front bezel - Support Front Mounting, VESA-75 wall mount
<b>Mainboard Grade &amp; Processor</b>	<b>Enclosure Construction</b>
- Mainboard : Military grade - CPU : Intel N2930 Quad Core up to 2.16GHz	- Rugged steel construction with anti-corrosion - 100% Fanless and complete sealed water-resistant
<b>System Memory</b>	<b>Power Consumption</b>
4GB DDR3 SO-DIM, Option : up to 8GB	- Total Power Consumption : around 30 watts
<b>Storage Device</b>	<b>Dimension</b>
- Intel 120G SSD with 5-year warranty from Intel - Option : 320GB slim HDD	366 (W) x 306 (H) x 110 (D) mm
<b>Control Button</b>	<b>Operating Temperature</b>
On-Off, Reset switch, HD LED, Power LED on front bottom	Support -5°C to +60°C
<b>OSD Button</b>	<b>Environmental</b>
OSD is optional at your request	Design to meet MIL-STD-810, MIL-STD-461F Navy

