

Sunlight Readable Panel Mount High Brightness LCD

Industrial LCD Monitor - with Aluminum Front Bezel

Panel Mount (Aluminum-6mm), 15" LCD monitor, 1024 x 768, 1500 nits LED
VGA + DVI Input, Rear OSD, including rear Clamp mount/VESA Mount
Operating and Storage - 30C ~ 85°C, Viewing angle H 80/80 V60/80

1500nits



Model: YPM1500HB2WT

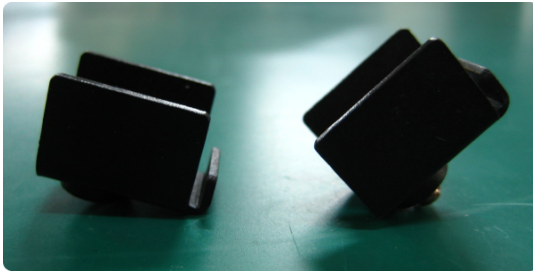
FEATURES:

- 15" VGA TFT LCD with resolution up to 1024 x 768.
- Suitable for military, tablet, ruggedized PC, kiosk, advertising, POS, marine, transportation, gaming, gas pump.
- Construction Front Panel : High quality aluminum bezel (anodic treatment)

System Specifications

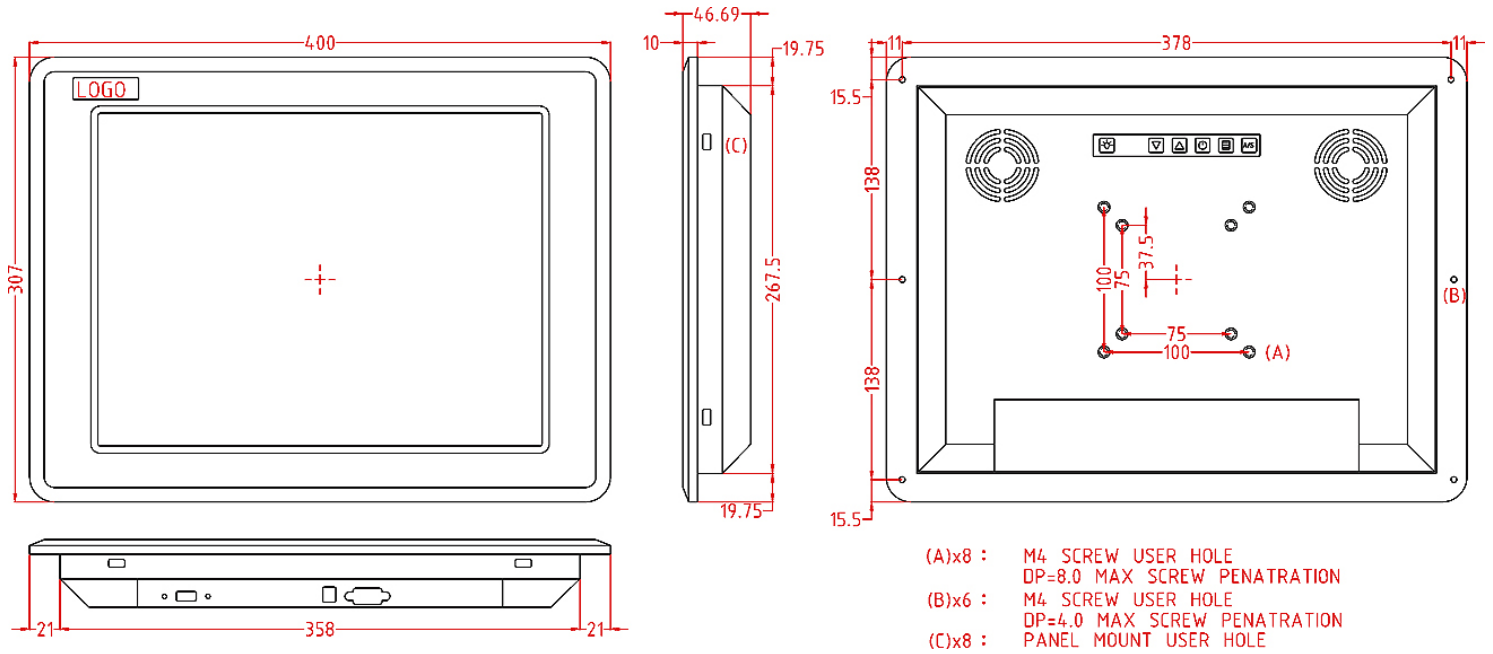
Display Type	15.0" TFT-LCD
Panel	
Display Color	262K/16.2M colors
Brightness (cd/m ²)	1500nits
Display Resolution (pixel)	VGA(1024 x 768)
Viewing Angles (CR≥10)	80/80/60/80
Contrast Ratio	700 : 1
Backlight Unit	LED
Response Time (msec)	8ms
Environmental	
Temperature	
Operation	-30°C~ 85°C
Storage	-30°C~ 85°C
Optional	Touch, Glass

Clamp Mount



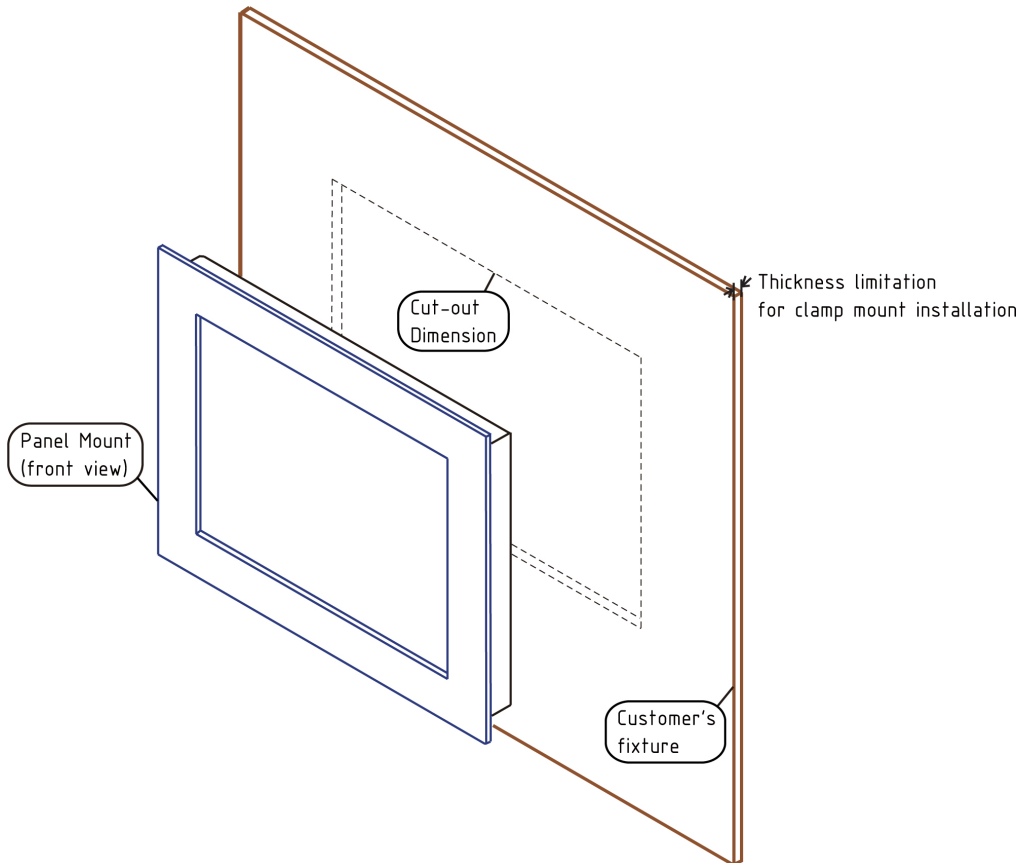
Mechanical Drawing:

Unit:mm



Installation Guide for Panel Mount Product:

You better have at least 2 people to do the installation. One is at the front side of the mounting wall, another is at the back side of the mounting wall.



1. Get the Mechanical Drawing :

You can get the mechanical drawing of your product model from our web site : www.itechlcd.com . If you can't find the correct mechanical drawing, contact your local dealer.

2. Make the cut out :

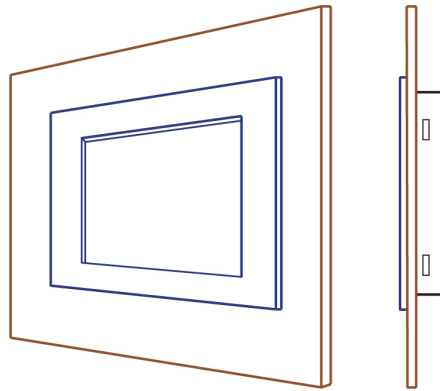
There is the cut out dimension in the Mechanical Drawing. Make sure your cut out meet the cut out dimension requirement. If the cut out is too small, there will be some interference. If the cut out is too big, you can't have the panel mounting securely. Please note that there is thickness limitation of the mounting wall for panel mount installation.

3. Prepare the accessory :

For panel mounting kit installation, you will receive mounting kits and screws together with your unit and you have to prepare the screw driver by yourself. There are at least 2 mounting kits for each side of the panel. The mounting kit and the screw is paired.

4. Installation :

4-1. Put the monitor in the cut out from the front side of the mounting wall. The best way to mount the panel is to align the bottom of the panel housing with the bottom edge of the cut out. This way can help hold the panel steadily.



- 4-2. At the back side of the mounting wall, insert the mounting kits into the slide hole at the side bracket on the panel.
- 4-3. Put the screw on the mounting kits and screw it tightly.
- 4-4. Finish all the mounting kits one by one then you can have a secure installation for your Panel Mount product.

