

Android Panel PC Digital Signage Display



Android Panel PC Digital Signage Display , 23.6" 250nits with quad core 1.6GHz 2GB DDR3 SDRAM, 8GB eMMC with Android 4.4 ,1920 (H) x 1080 (V) ,High quality speaker 3W×2, 10 points capacitive multi-touch.

Model: MTBW2360-PCT

FEATURES

Hardware

CPU

- Cortex-A9, Quad Core, up to 1.6GHz

System Memory

- 2GB DDR3 SDRAM

Internal Storage Memory

- 8GB~16GB eMMC

External Storage Memory

- SD Card (SDHC Class10 compatible)

LCD

- 23.6" 1920X1080 digital TFT LCD

Touch Panel Type

- 10 point capacitive multi-touch type

Amplifier, Speaker

- Speaker unit: 3W+3W
- Amplifier 3W+3W
- Save the set-up volume and keep the value at the time of power off and on.

Clock Battery (for RTC)

- Lithium-ion non-rechargeable coin battery

LED

- [power supply ON] , and [power supply OFF] modes are supported.
- Power supply ON: Red then turn Green after kernel boot up.
- Power supply OFF: LED light off

Wireless Communication Specification

- Wi-Fi : IEEE 802.11 b/g/n (optional)
- Bluetooth 4.0 (optional)

Ethernet Communication Specification

- 10/100Mbps LAN RJ45 built-in

External Interface

- Key button (vol+, vol-, Up, Down, Exit/Enter (when in recovery mode))
- USB interface:
 - USB host type A port (USB 2.0 high speed 480Mbps) x 2
 - Micro USB port (USB 2.0 OTG) x 1
- Ethernet RJ45 10/100Mbps connector x 1
- RS232 x 2 (in RJ45 connector form)
- Power slide switch
- AC adapter port
- VESA mount (100x100 mm)
- Headset + MIC port
- S/PDIF out

Weight

- 7.210 Kg (main body only, excluding AC adapter)

Housing Design

- Body and cover are in black color.

Housing Material

- Body: Metal

Power

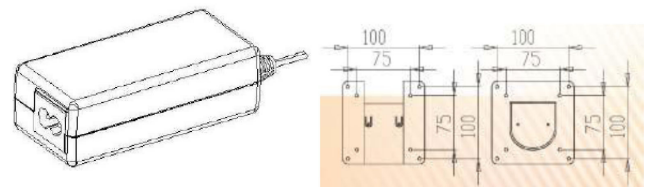
- CE, FCC certified (pending)
- Power consumption: 1KHz audio playback etc. about 18W max., OFF 0W
- Input power spec.: AC 100-240Vac, 5A max. 50-60Hz, DC 12V±5%

Environmental Correspondence

- ROHS

Shipment Form

- Appended goods



- AC adapter,
- Mounting bracket (screwed on body, optional),

SPECIFICATIONS

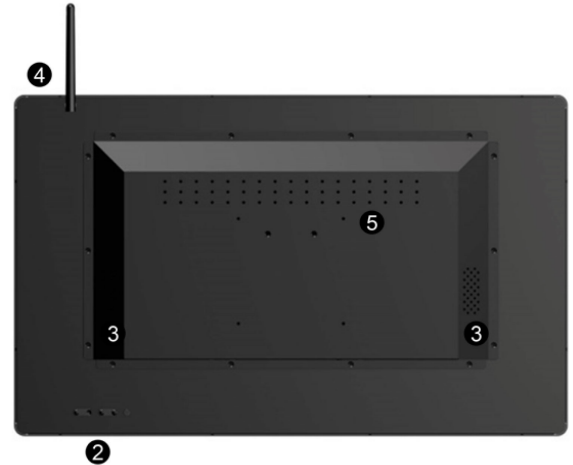
Display	
TFT LCD	23.6" (16:9 diagonal) inch configuration, 250 nits
Number of Pixel	1920 (H) x 1080 (V)
Back-light	LED Side-light type
Media format	
Video	MKV, TS, FLV, AVI, VOB, MPG, DAT, ASF, RM, MOV, 3GP, MP4, WMV
Audio	MP1, MP2, WMA, WAV, AAC, OGG, APE, FLAC
Picture	JPG, BMP, GIF, JPEG, PNG
I/O	
SD card slot	SD card (SDHC Class10 compatible)
USB	USB 2.0 host type A×1
Micro USB	Micro USB 2.0 OTG × 1
Add-on Module slot	N/A
Speaker	
High quality speaker	3W×2
Power	
AC/DC adapter	12V/1.5A AC/DC adapter
Ethernet	
RJ45	10/100Mbps LAN
Wireless Communication	
Bluetooth	Bluetooth 4.0 (optional)
Wi-Fi	802.11 b/g/n (optional)
Camera	
Front	Front: 2M pixels (optional)
Function keys	
Key button	Vol+, Vol -, Up, Down, Exit/Enter (when in recovery mode)
Audio	
Audio	Headset + microphone jack x 1 S/PDIF out x 1

Case Outlook - Front



1. Camera (optional)

- Back



2. Function keys (Vol+, Vol -, Up, Down, Exit)

3. Speakers

4. External WiFi antenna

5. VESA mount holes (100x100mm)



- Bottom

4. External WiFi antenna

6. USB ports

7. RS232 x 2 (in RJ45 connector form)

8. Micro USB port

9. S/PDIF out

10. Headset+Microphone Jack

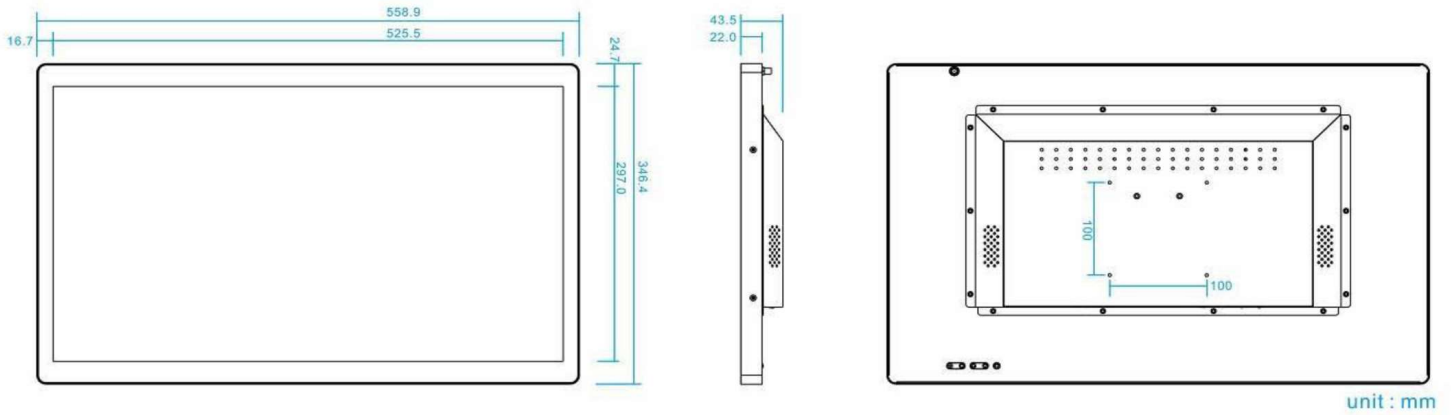
11. Ethernet RJ45 10/100Mbps connector

12. DC-in

13. Power switch

14. LED (power indicator), IR receiver

DIMENSIONS



- The case dimension:

Width: 558.9mm

Height: 346.4mm

Depth: 43.5mm