

# RACKMOUNT TFT LCD MONITOR

## 19" Rugged Military PC

Intel 4th Gen Haswell i7-4650U 3.3GHz CPU, 8G DDR3 RAM, 256G SSD, 2 x LAN, 2 x USB, 4 x COM, AC

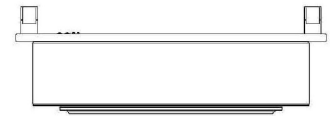
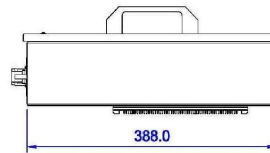
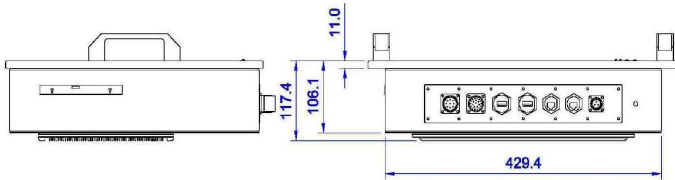
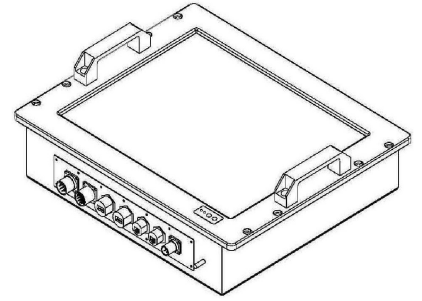
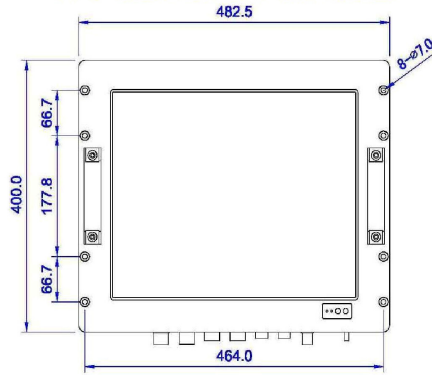
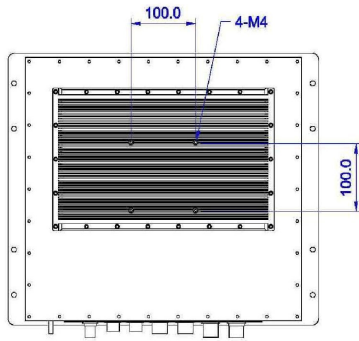


Model: **Nmil-1900ZT01**

### SPECIFICATIONS:

LCD Panel	Mounting
<ul style="list-style-type: none"><li>- LCD : 19" TFT LCD</li><li>- Brightness : 350 cd/m2</li><li>- Resolution : 1280 X 1024 resolution</li></ul>	<ul style="list-style-type: none"><li>- Support Front Panel Mount, 2 handles</li><li>- Support VESA Wall Mount</li></ul>
Touch	Control Buttons
<ul style="list-style-type: none"><li>- 19" Projective Capacitive Touch</li><li>- Resolution : 4096 x 4096 resolution</li></ul>	On-Off switch, Reset Switch, HD LED, Power LED
CPU, RAM, HDD	Power Consumption
<p>CPU : Intel 4<sup>th</sup> Gen Haswell i7-4650U up to 3.3GHz RAM : 8GB DDR3 RAM HDD : 1x 1 TB HDD + 1 x 256 GB SSD</p>	<ul style="list-style-type: none"><li>- Total Power Consumption: around 30~40 watts excluding heater.</li></ul>
I/O Port	Environmental Test
<ul style="list-style-type: none"><li>- LAN : 2 x LAN</li><li>- Audio : 1 x Audio</li><li>- COM : 2 x RS232 + 2 x RS422</li><li>- USB : 2 x USB</li></ul>	<ul style="list-style-type: none"><li>- This Panel PC is design to meet the following Environmental Tests :</li></ul>
Heater & Sensor – Optional items	JSS-55555
<ul style="list-style-type: none"><li>- Built-in AC 50W Heater</li><li>- Sensor : Below +6°C auto boot up ,above+16°C auto cut off</li></ul>	<ul style="list-style-type: none"><li>- Designed to meet JSS-55555</li></ul>
Military Connector	EMI/EMC Test
<ul style="list-style-type: none"><li>- All I/O connectors come with dust cap and mating connectors.</li></ul>	<ul style="list-style-type: none"><li>- Designed to meet MIL-STD-461E</li></ul>
Power Supply	Vibration and Shock Test
<ul style="list-style-type: none"><li>- 150W 90~264V AC-DC Power adapter</li></ul>	<ul style="list-style-type: none"><li>- Designed to meet MIL-STD-810F Vibration and Shock Test standard.</li></ul>
Mechanical	Optional : Media Drive
<ul style="list-style-type: none"><li>- Front Bezel : thick aluminum front bezel</li><li>- Chassis : rugged steel construction</li></ul>	1 x DVD-RW in built

**MECHANICAL DRAWING:**



IO Port : AUDIO COM USB USB LAN LAN POWER