

PLASMA DISPLAY ENCLOSURE



65" Black Powder Coated Steel Enclosure including Flush Mounted Keyed Compression Locks, 2 3/8" Grommet for Cable Entry, LCD Mounting Brackets, Shatter Proof Lexan Window, and Fan and Filter System. Enclosure is Theft, Dust, and Water proof (NEMA 4 Rated)

Model: OE6500

This flat panel LCD enclosure includes a durable clear plastic window that provides outstanding protection and a great view of your flat panel LCD monitor. The enclosure door opens easily for quick access to the LCD screen.

SHOWN with OPTIONAL PEDESTAL



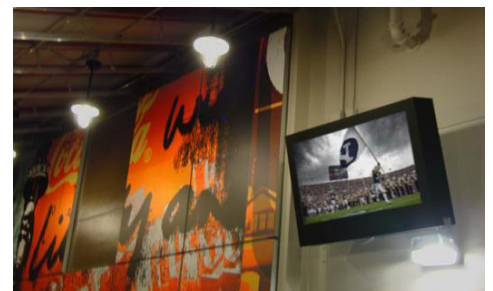
Each unit includes metal case, hinges, keyed locks, dust/ waterproof gasket, grommet for secure communication/ power cable entry, easy access door, adjustable vesa mounting bracket, removable clear plastic window and a built-in fan for positive or negative airflow to protect your equipment from dust and heat. The enclosure door opens easily for quick and easy access. The powder coated steel or stainless steel case ensures durability that will last for years to come.



Visitor-Center

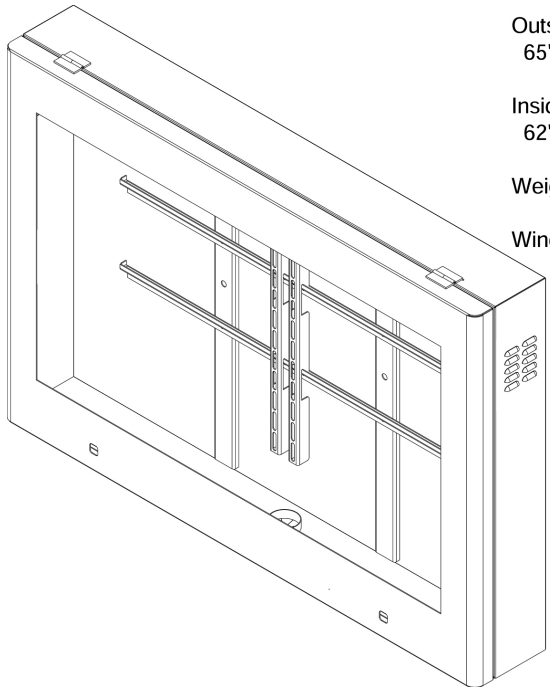
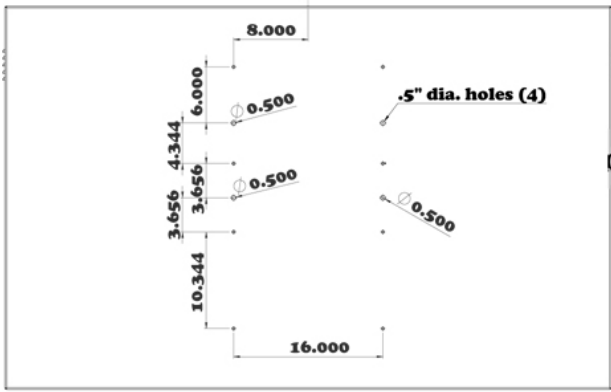
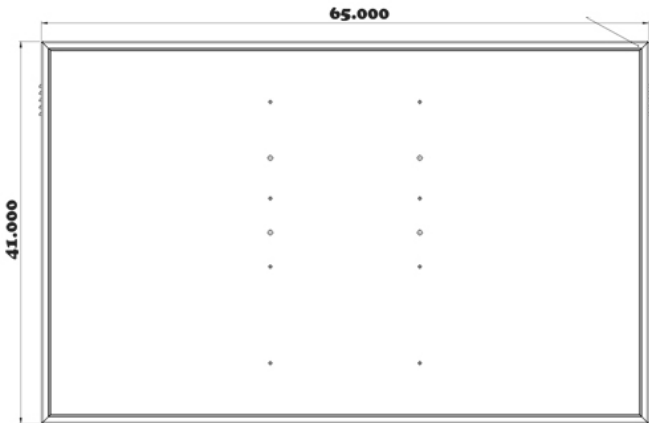


Sports Stadium



Indoor Display

MECHANICAL DRAWING:



Outside Dimensions:
65"W x 41"H x 7"D

Inside Dimensions:
62"W x 38"H x 5"D

Weight: 150 lbs

Window Diagonal: 65"

