

# HNVP Series

## CAT6 KVM

NetView:1U Rackmount 1000nits High-Brightness 17" TFT 1280x1024 LCD KVM with 104 key notepad keyboard w/ Trackball (b), Integrated with Combo Cat6,8 KVM Ports + 0 User Via CAT5 Extender + 0 Users Via KVM over IP. Over Depth is 23 Inch. Dongles sold separately

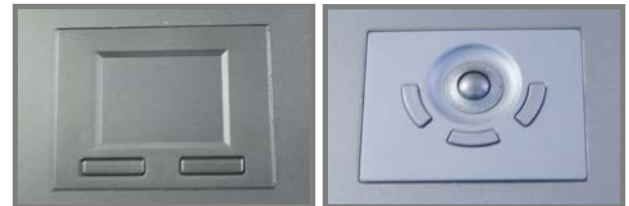
Model: HNVP117C8b

### FEATURES:

- 1000cd/m<sup>2</sup> for 17" LCD
- Lower power consumption
- High shock & vibration resistance
- Short depth design of 580mm(23 inch )Deep
- New enhanced aesthetics with molded front handle
- Minimum EMI emissions

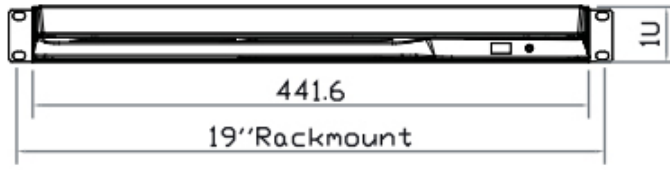
### SPECIFICATIONS:

|                                       |   |
|---------------------------------------|---|
| LCD Panel                             |   |
| Diagonal size                         | 17" TFT                                       |
| Max. Resolution                       | 1280 x 1024                                   |
| Brightness (cd/m <sup>2</sup> )       | 1000  |
| Backlight                             | LED   |
| Colors                                | 16.7M   |
| Contrast Ratio (typ)                  | 1000 : 1                                      |
| Viewing Angle (H/V)                   | 170° x 160°                                   |
| Active area (mm)                      | 338 x 270                                     |
| MTBF (hrs)                            | 50,000  |
| Casing Color                          | Black ( RAL 9005 )                            |
| Weight ( Single console               |   |
| Net                                   | 12.5 kgs ( 27.5 lbs )                         |
| Gross                                 | 17.5 kgs ( 38.5 lbs )                         |
| Environmental                         |   |
| Operating                             | 0 to 50°C Degree                              |
| Storage                               | -5 to 60°C Degree                             |
| Relative humidity                     | 5-90%, non-condensing                         |
| Shock                                 | 10G acceleration ( 11 ms duration )           |
| Vibration                             | 5-500Hz 1G RMS random vibration               |
| Regulatory                            | FCC & CE certified                            |
| Environmental                         | RoHS2 & REACH compliant                       |
| Power                                 |   |
| Input                                 | Auto-sensing 100 to 240VAC, 50 / 60Hz         |
| Consumption                           | Max. 48 Watt, Standby 5 Watt                  |
| Product Dimensions ( Single console ) |   |
| Product                               | 441.6 x 480 x 44 mm / 17.4 x 18.9 x 1.73 inch |
| Packing                               | 590 x 808 x 140 mm / 23.2 x 31.8 x 5.5 inch   |



**DIMENSION**

**Front View**

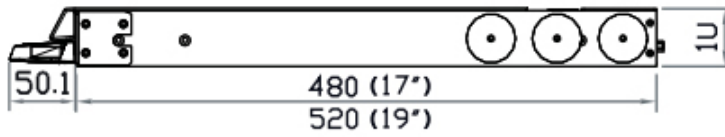


**Rear View**

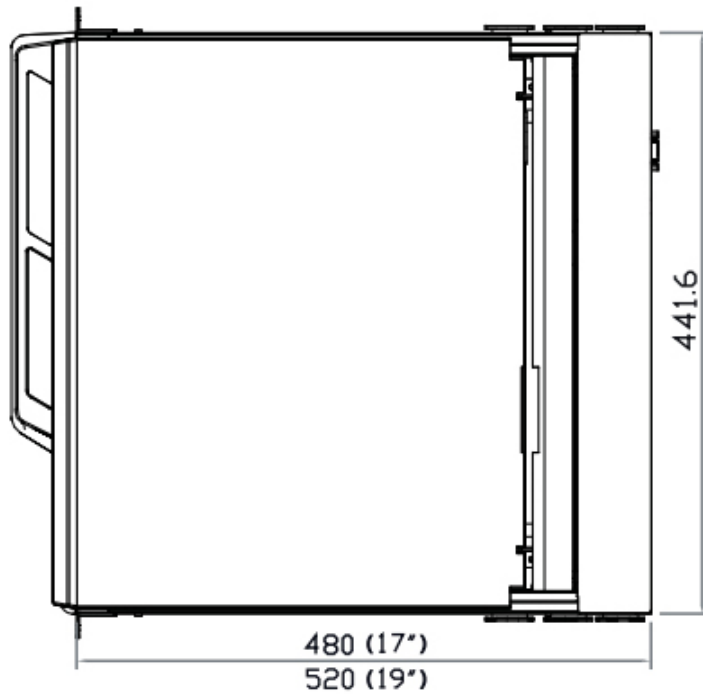


UNIT : mm  
1mm = 0.03937 inch

**Side View**

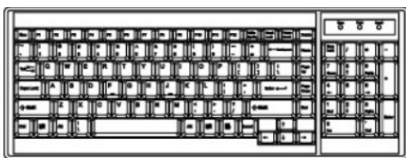


**Top View**



**STANDARD KEYBOARD**

**e** keyboard integrated with touchpad



**b** keyboard integrated with trackball



**Supporting layouts**

|                |                |         |             |             |          |
|----------------|----------------|---------|-------------|-------------|----------|
| <b>America</b> | United States  |         |             |             |          |
| <b>EMEA</b>    | United Kingdom | Germany | France      | Spain       | Norway   |
|                | Italy          | Russia  | Switzerland | Netherlands | Portugal |
| <b>Asia</b>    | China          | Japan   | Korea       | Arabia      | Turkey   |



- Hold the handle and slide out the drawer.



- Flip up the LCD to a suitable angle



- Operate the LCD console drawer.

## STRUCTURE DIAGRAM



## KVM PORT & CAT6 DONGLE CONNECTION



### IF-DUSBD DVI-USB dongle

- To connect DVI-D connector to the computer's video card
- To connect USB connector to the computer's USB port



### IF-DUSB VGA-USB dongle

- To connect DB-15 connector to the computer's video card
- To connect USB connector to the computer's USB port



### IF-DPS2 VGA-PS/2 dongle

- To connect DB-15 connector to the computer's video card
- To connect PS/2 keyboard connector to the computer's keyboard port
- To connect PS/2 mouse connector to the computer's mouse port

| Cat6 Dongle | EDID Resolution Hard-coded | Resolutions Capable |             |             |            |
|-------------|----------------------------|---------------------|-------------|-------------|------------|
|             |                            | 4:3                 |             |             | 16:10      |
|             |                            | 1024 x 768          | 1280 x 1024 | 1600 x 1200 | 1440 x 900 |
| IF-DPS2     | 1600 x 1200                | ✓                   | ✓           | ✓           | ✓*         |
| IF-DUSB     | 1600 x 1200                | ✓                   | ✓           | ✓           | ✓*         |
| IF-DUSBD    | 1280 x 1024                | ✓                   | ✓           | ✗           | ✗          |

\* Requires the user to enable showing unsupported resolutions via the target computer's video adapter settings (effectively ignoring the DDC / EDID)

### KVM CASCADE

- Cascade up to 8 levels, 256 servers
- Cascading multiple KVM with CBC-6 cascade cable



## Combo Cat6 KVM Benefits

- Combo Cat6 KVM with either 8, 16 or 32 ports in 1U
- Up to 40 meters between your servers & KVM ports
- Cascade switches up to 8 levels & Mix switches between Cat6 & Combo DB-15 KVM
- Support DVI-USB, VGA-USB & VGA-PS/2 server interface
- Mix PS/2, USB & SUN with Multi-Platform switch capability

## Switch Features & Options

- Multi lingual on screen display menu
- Advanced user profiles and configurable OSD hot key combinations
- Dual power with failover
- DC power options : 12V / 24V / 48V / 110 ~ 125V



## KVM SPECIFICATIONS

|                        |   |
|------------------------|---|
| <b>■ KVM Port</b>      |   |
| Number of ports:       | 8, 16 or 32   |
| Connector:             | RJ-45   |
| Connectivity:          | DVI-D / VGA connector dongle up to 40 meters (132 feet) via Cat6 / Cat5 cable       |
| <b>■ Management</b>    |   |
| Multilingual OSD:      | English, France, German, Spanish, Italian, Russian, Simplified Chinese, Japanese    |
| Hotkey combination:    | Scroll-lock, Cap-lock, Num-lock, Alt, Ctrl & Win                                    |
| Security:              | Password enable & disable, up to 8 users profile for port access                    |
| PC Selection:          | Front button, OSD menu & hotkey   |
| <b>■ Local Console</b> |   |
| Graphic Connector:     | 1 x DB-15 VGA   |
| Resolution:            | Up to 1600 x 1200   |
| Input device:          | 2 x USB type A for keyboard & mouse   |
| Resolution support:    | 4:3 - max. 1600 x 1200<br>16:10 - max. 1440 x 900                                   |
| <b>■ Expansion:</b>    | Up to 256 servers by 8-level cascade  |
| <b>■ Compatibility</b> |   |
| Multi-platform:        | Mix PCs, SUN and Mac G3 / G4 Mac / iMac   |
| Support:               | Windows 7 / Vista / 2003 / XP, Linux, Unix  |
| <b>■ Power</b>         |   |
| Input:                 | Auto sensing 100 to 240VAC, 50 / 60 Hz OR AC / DC power adapter 12V@3.3A (optional) |
| Option DC:             | 12V / 24V / 48V / 110 ~ 125V DC input   |
| Consumption:           | Max. 24 Watt, Standby 5 Watt  |

|                              |  |
|------------------------------|--|
| <b>■ Regulatory :</b>        |  |
| Safety:                      | cUL, FCC & CE certified                      |
| Environment:                 | RoHS2 & REACH compliant                      |
| <b>■ Environmental</b>       |  |
| Operating:                   | 0 to 50°C                                    |
| Storage:                     | -5 to 60°C                                   |
| Relative humidity:           | 90%, non-condensing                          |
| Shock:                       | 50G peak acceleration (11ms, half-sine wave) |
| Vibration:                   | 58-100Hz / 0.98G (11ms / cycle)              |
| <b>■ Product Information</b> |  |
| Dimension (W x D x H):       | 443 x 171 x 44 mm / 17.4 x 6.7 x 1.73 inch   |
| Net weight:                  | 3 kg / 6.5 lb                                |
| <b>■ Packing Information</b> |  |
| Dimension (W x D x H):       | 500 x 400 x 90 mm / 19.7 x 15.7 x 3.5 inch   |
| Gross weight:                | 5 kg / 11 lb                                 |