

## CAT6 KVM

NetView:2U Rackmount 19" TFT 1280x1024 LCD KVM with 104 key notepad keyboard w/ Trackball (b), Integrated with Matrix Cat6,16 KVM Ports + 1 User Via CAT5 Extender + 1 Users Via KVM over IP. Over Depth is 19 Inch. Dongles sold separately

Model: NVP2419MC1116b

## FEATURES:

- 2U dual slide 19" LCD console drawer
- 104-key keyboard with either touchpad or trackball
- Short depth design of 480mm(19 inch )Deep
- New enhanced aesthetics with molded front handle
- 2 post rack mounting available

## SPECIFICATIONS:

|  |  |
|--|--|
| LCD Panel                                    |  |
| Diagonal size                                | 19" TFT                                      |
| Max. Resolution                              | 1280 x 1024                                  |
| Brightness (cd/m2)                           | 250  |
| Backlight                                    | CCFL   |
| Colors                                       | 16.7M  |
| Contrast Ratio (typ)                         | 1000 : 1                                     |
| Viewing Angle (H/V)                          | 160° x 160°                                  |
| Active area (mm)                             | 376 x 301                                    |
| MTBF (hrs)                                   | 50,000                                       |
| Casing Color                                 | Black ( RAL 9005 )                           |
| Weight ( Single console )                    |  |
| Net  | 20.5 kgs ( 45.1 lbs )                        |
| Gross  | 24.8 kgs ( 54.6 lbs )                        |
| Environmental                                |  |
| Operating                                    | 0 to 50°C Degree                             |
| Storage                                      | -5 to 60°C Degree                            |
| Relative humidity                            | 5~90%, non-condensing                        |
| Shock  | 10G acceleration ( 11 ms duration )          |
| Vibration                                    | 5~500Hz 1G RMS random vibration              |
| Regulatory                                   | FCC, CE                                      |
| Power  |  |
| Input  | Auto-sensing 100 to 240VAC, 50 / 60Hz        |
| Consumption                                  | Max. 48 Watt, Standby 5 Watt                 |
| <b>Product Dimensions ( Single console )</b> |  |
| Product                                      | 441.6 x 480 x 88 mm / 17.4 x 18.1 x 3.5 inch |
| Packing                                      | 585 x 620 x 190 mm / 23 x 24.4 x 7.5 inch    |
| <b>Product Dimensions ( with KVM )</b>       |  |
| Product                                      | 441.6 x 480 x 88 mm / 17.4 x 18.9 x 3.5 inch |
| Packing                                      | 585 x 620 x 190 mm / 23 x 24.4 x 7.5 inch    |



## DIMENSION

Front View



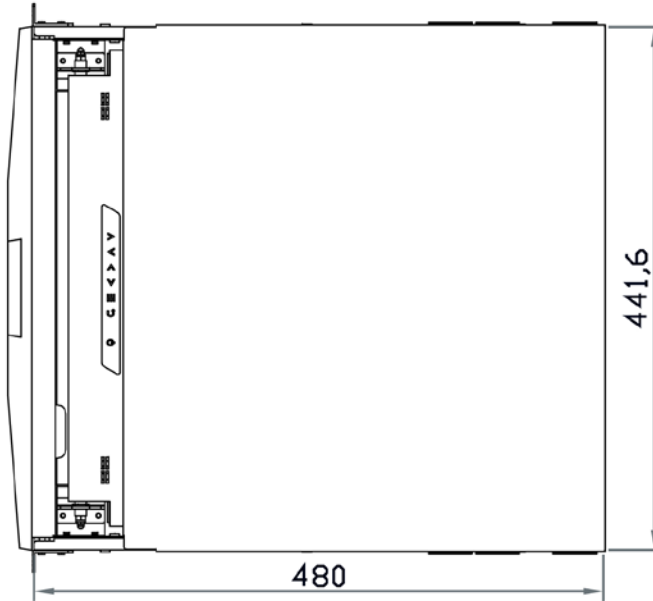
Rear View



Side View



Top View



UNIT : mm  
1mm = 0.03937 inch

## STANDARD KEYBOARD

e keyboard integrated with touchpad



b keyboard integrated with trackball



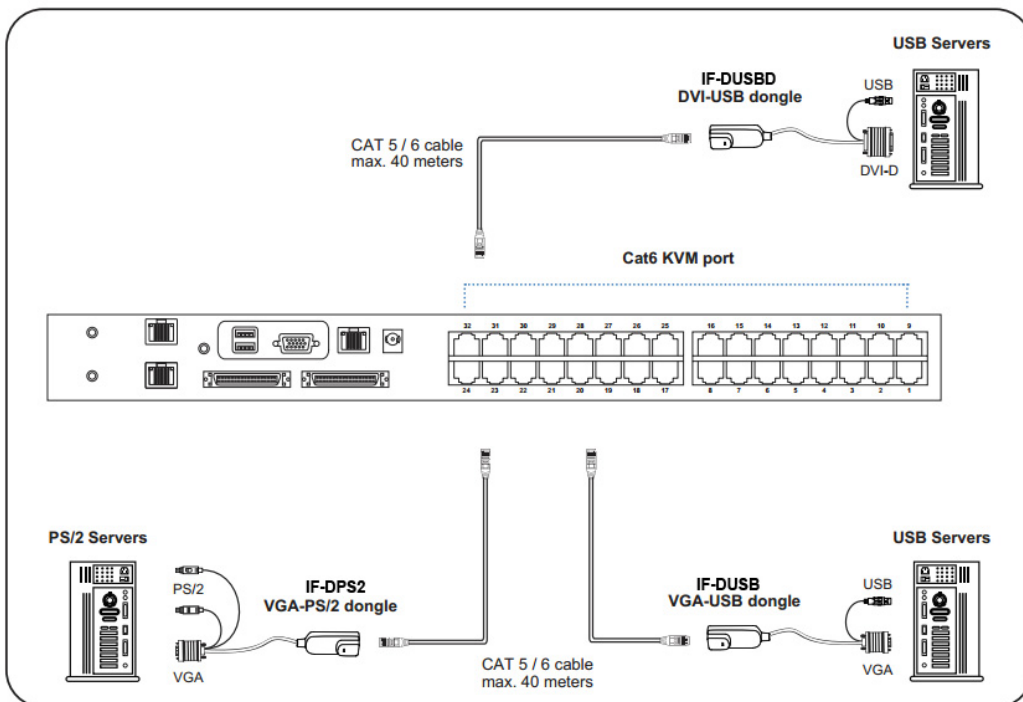
### Supporting layouts

|         |  |   |   |   |  |
|---------|--|---|---|---|--|
| America | <br>United States |   |   |   |  |
| EMEA    |  United Kingdom   |  Germany |  France      |  Spain       |  Norway   |
|         |  Italy            |  Russia  |  Switzerland |  Netherlands |  Portugal |
| Asia    |  China            |  Japan   |  Korea       |  Arabia      |  Turkey   |

## STRUCTURE DIAGRAM



## KVM PORT & CAT6 DONGLE CONNECTION



### IF-DUSBD DVI-USB dongle

- To connect DVI-D connector to the computer's video card
- To connect USB connector to the computer's USB port



### IF-DUSB VGA-USB dongle

- To connect DB-15 connector to the computer's video card
- To connect USB connector to the computer's USB port



### IF-DPS2 VGA-PS/2 dongle

- To connect DB-15 connector to the computer's video card
- To connect PS/2 keyboard connector to the computer's keyboard port
- To connect PS/2 mouse connector to the computer's mouse port

| Cat6 Dongle | EDID<br>Resolution<br>Hard-coded | Resolutions Capable |             |             |            |
|-------------|----------------------------------|---------------------|-------------|-------------|------------|
|             |                                  | 4:3                 |             |             | 16:10      |
|             |                                  | 1024 x 768          | 1280 x 1024 | 1600 x 1200 | 1440 x 900 |
| IF-DPS2     | 1600 x 1200                      | ✓                   | ✓           | ✓           | ✓*         |
| IF-DUSB     | 1600 x 1200                      | ✓                   | ✓           | ✓           | ✓*         |
| IF-DUSBD    | 1280 x 1024                      | ✓                   | ✓           | ✗           | ✗          |

\* Requires the user to enable showing unsupported resolutions via the target computer's video adapter settings (effectively ignoring the DDC / EDID)

### IP, REMOTE & LOCAL CONSOLE CONNECTION

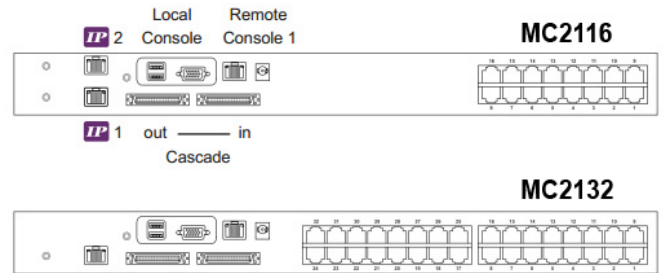
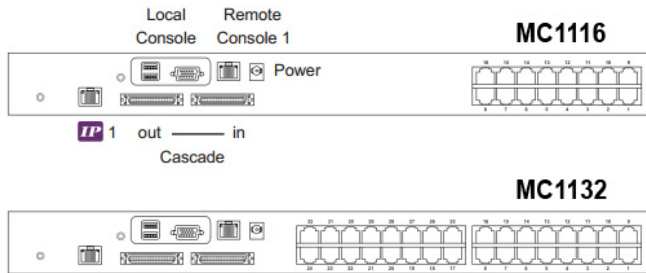


## Matrix Cat6 IP KVM Benefits

- Secure IP remote user access across the world wide web
- Efficient system management with simultaneous multi-user access
- Capable of connecting 32 or 16 servers per device in 1U
- Support DVI-USB, VGA-USB & VGA-PS/2 server interface
- Up to 40 meters between your server & KVM switch
- Enhanced Cat6 cable management with remote access up to 150m

## Switch Features & Options

- Provide a diversity of console to access servers independently and simultaneously
- Use of the RJ45 Cat6 interface allows for a higher number of ports in smaller density
- Greater distances between your switch and servers allow enhanced data center rack layouts
- Multi lingual on screen display menu
- Advanced user profiles and configurable OSD hot key combinations



## KVM SPECIFICATIONS

|                              |   |
|------------------------------|---|
| <b>■ KVM Port</b>            |   |
| Number of ports:             | 16 or 32  |
| Connector:                   | RJ-45   |
| Connectivity:                | DVI-D / VGA connector dongle up to 40 meters (132 feet) via Cat6 / Cat5 cable |
| <b>■ Local Console</b>       |   |
| Monitor port:                | DB15-pin VGA  |
| Keyboard & mouse port:       | 2 x USB type connector for keyboard & mouse                                   |
| Resolution support:          | 4:3 - max. 1600x1200<br>16:10 - max. 1440x900                                 |
| <b>■ Cat6 Remote Console</b> |   |
| Number of remote port:       | 1   |
| Monitor port:                | DB15-pin VGA  |
| Keyboard & mouse port:       | 2 x USB type connector for keyboard & mouse                                   |
| Remote I/O:                  | RJ45 via Cat5 / Cat5e / Cat6 cable up to 500 feet                             |
| Resolution support:          | 4:3 -max. 1600x1200<br>16:10-max. 1440x900                                    |
| <b>■ IP Remote Console</b>   |   |
| Number of IP console:        | 1 for MC1116 / MC1132<br>2 for MC2116 / MC2132                                |
| User management:             | 15-user login, 1 x active user  |
| Browser:                     | Internet Explorer, Firefox, Safari  |
| Security:                    | SSL v3, RSA, AES, HTTP / HTTPS, CSR   |
| IP Access:                   | RJ45 Ethernet per IP console  |
| Resolution support:          | 4:3-max. 1600x1200  |

|                              |  |
|------------------------------|--|
| <b>■ Expansion:</b>          | Up to 256 servers by 8-level cascade       |
| <b>■ Compatibility:</b>      |  |
| Multi-platform:              | Mix PCs, SUN and Mac G3 / G4 Mac / iMac    |
| Support:                     | Windows 7 / Vista / 2003 / XP, Linux, Unix |
| <b>■ Power</b>               |  |
| Input:                       | AC power adapter                           |
| Consumption:                 | Max. 48 Watt, Standby 5 Watt               |
| <b>■ Regulatory :</b>        |  |
| Safety:                      | cUL, FCC & CE certified                    |
| Environment:                 | RoHS2 & REACH compliant                    |
| <b>■ Environmental</b>       |  |
| Operating:                   | 0 to 50°C                                  |
| Storage:                     | -5 to 60°C                                 |
| Relative humidity:           | 90%, non-condensing                        |
| Shock:                       | 50G peak acceleration (11ms, half-sine)    |
| Vibration:                   | 58-100Hz / 0.98G (11ms / cycle)            |
| <b>■ Product Information</b> |  |
| Dimension (W x D x H):       | 443 x 171 x 44 mm / 17.4 x 6.7 x 1.73 inch |
| Net weight:                  | 3 kg / 6.5 lb                              |
| <b>■ Packing Information</b> |  |
| Dimension (W x D x H):       | 500 x400 x90 mm / 19.7 x 15.7x3.5 inch     |
| Gross weight:                | 5 kg / 11 lb                               |

## KVM CASCADE

- Cascade up to 8 levels, 256 servers
- Cascading multiple KVM with CMC-8 cascade cable



Cascaded KVMs from level 2 to 8 must be the models of MC0116 / MC0132 or M018 / M0116.



When multiple matrix KVMs cascade together, the master KVM at level 1 will take all control of other slave KVM switches (e.g. level 2 to 8).



The slave matrix KVM will be as a port expansion module of the master matrix KVM, the original remote console on slave KVM will be sacrificed and disabled.



### CMC-8

- 8ft Matrix KVM cascade cable