

USB HUB KVM

NetView:1U Rackmount 17" Wide 1920 x 1200 WUXGA Over IP remote 16-ports USB RGB KVM switch (Includes 16 pcs 6ft long NB-6 Cables) and 2 x USB 2.0 port sharing USB peripheral for computers, with 104 key notepad keyboard w/ Touchpad (e), 23 inch Deep

Model: NW117X-IPB16e



FEATURES:

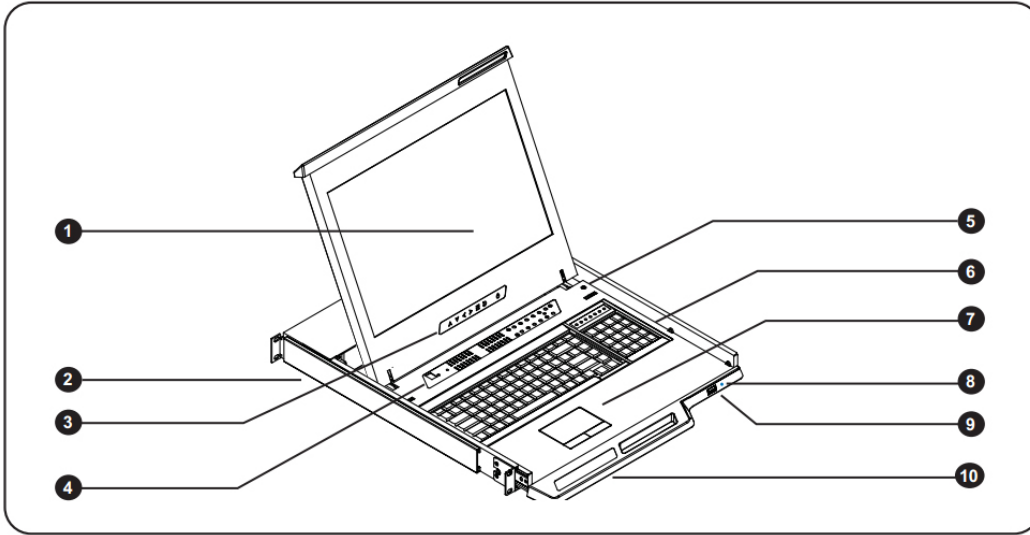
- 1U 17" widescreen LCD console drawer
- Front USB port for device access (USB Hub KVM only)
- 1920 x 1200 native WUXGA Ultra high resolution
- PIP & Picture by Picture viewing efficiency
- 104-key keyboard with either touchpad or trackball
- New enhanced aesthetics with molded front handle
- 2 post rack mounting available
- Short depth design of 580mm(23 inch) Deep

SPECIFICATIONS:

| | |
|--|---|
| LCD Panel | |
| Diagonal size | 17" widescreen TFT |
| Max. Resolution | 1920 x 1200 |
| Brightness (cd/m2) | 210 |
| Backlight | LED |
| Colors | 16.7 M, 8-bit |
| Contrast Ratio (typ) | 600 : 1 |
| Viewing Angle (H/V) | 130° x 110° |
| Active area (mm) | 367 x 230 |
| MTBF (hrs) | 20,000 |
| Signal input | VGA, DVI-D, HDMI |
| Casing Color | Black (RAL 9005) |
| Weight (Single console | |
| Net | 10.9 kgs (24 lbs) |
| Gross | 15.8 kgs (34.8 lbs) |
| Environmental | |
| Operating | 0 to 50°C Degree |
| Storage | -5 to 60°C Degree |
| Relative humidity | 5-90%, non-condensing |
| Shock | 10G acceleration (11 ms duration) |
| Vibration | 5-500Hz 1G RMS random vibration |
| Regulatory | FCC, CE |
| Power | |
| Input | Auto-sensing 100 to 240VAC, 50 / 60Hz |
| Consumption | Max. 48 Watt, Standby 5 Watt |
| Product Dimensions (Single console) | |
| Product | 441.6 x 580 x 44 mm / 17.4 x 23 x 1.73 inch |
| Packing | 590 x 823 x 140 mm / 23.2 x 32.4 x 5.5 inch |



STRUCTURE DIAGRAM



- ① LCD interchangeable module kit
- ② Installation Slides
- ③ LCD membrane
- ④ Membrane switch (KVM option)
- ⑤ Micro switch for screen auto power off
- ⑥ Keyboard interchangeable module kit
- ⑦ Mouse interchangeable module kit
- ⑧ Blue Power LED
- ⑨ Front USB port for device access (USB Hub KVM only)
- ⑩ Molded front handle

STANDARD KEYBOARD

e keyboard integrated with touchpad



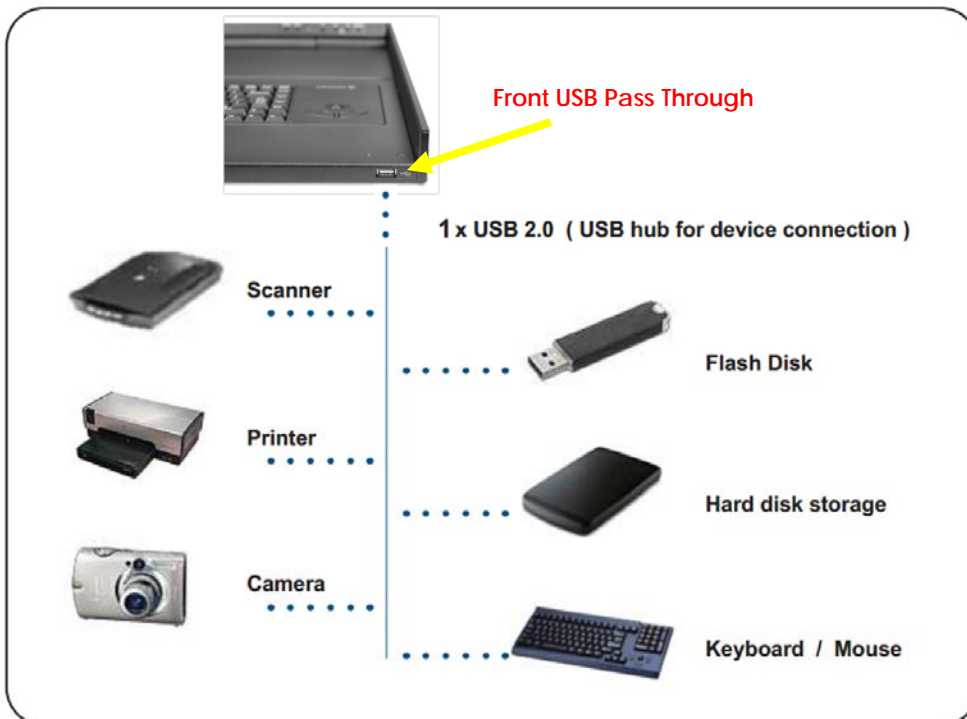
b keyboard integrated with trackball



Supporting layouts

| | | | | | |
|----------------|----------------|---------|-------------|-------------|----------|
| America | United States | | | | |
| EMEA | United Kingdom | Germany | France | Spain | Norway |
| | Italy | Russia | Switzerland | Netherlands | Portugal |
| Asia | China | Japan | Korea | Arabia | Turkey |

BUILT-IN USB HUB USAGE & CONNECTION



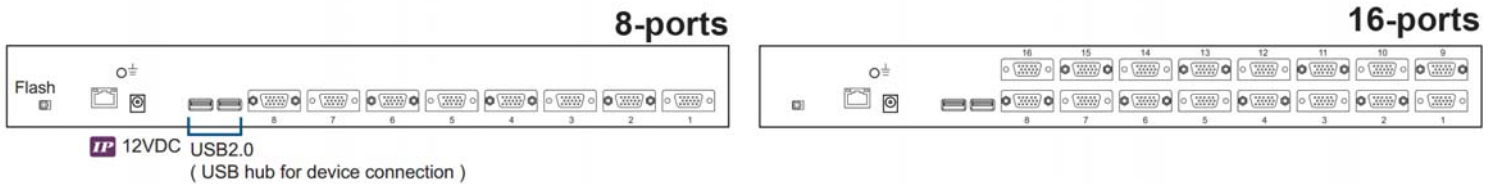
USB Hub DB-15 IP KVM Benefits

- VGA-USB DB-15 KVM with either 8 or 16 ports in 1U
- IP remote access across the world wide web
- 2 x USB 2.0 port sharing USB peripheral for computers
- Mix USB & SUN with Multi-Platform switch capability
- Support resolution up to 1920 x 1080
- SUN 1152 x 900 resolution compatible
- Hot pluggable, no software or drivers required
- Easy & quick installation

Switch Features & Options

- Multi lingual on screen display menu
- Control hardware and software systems from a remote location without physically being at the server's location
- Advanced user profiles and configurable OSD hot key combinations
- 12V, 24V and 48V DC Power options

Note: No Daisy chain function on USB Hub KVM model



Real View



KVM SPECIFICATIONS

| | | | |
|----------------------------|---|------------------------------|--|
| ■ KVM Port | | ■ Power | |
| Number of ports: | 8 or 16 | Input: | Auto sensing 100 to 240VAC, 50 / 60 Hz |
| Connector: | DB-15 combo connector | Option DC: | 12V / 24V / 48V DC input |
| Connectivity: | Combo 2-in-1 VGA + USB KVM cable, 6, 10 or 15 feet | Consumption: | Max. 12 Watt, Standby 5 Watt |
| ■ Local Console | | ■ Regulatory : | |
| Graphic connector: | 1 x DB-15 | Safety: | FCC & CE certified |
| Resolution: | Up to 1920x1200 | Environment: | RoHS2 & REACH compliant |
| Input device: | 2 x USB type A for keyboard & mouse | ■ Environmental | |
| USB hub: | 2 x USB type A for sharing other peripheral devices among the computers | Operating: | 0 to 50°C |
| ■ IP Remote Console | | Storage: | -5 to 60°C |
| Connector: | RJ45 Ethernet | Relative humidity: | 90%, non-condensing |
| User management: | 15-user login, 1 x active user | Shock: | 50G peak acceleration (11ms, half-sine wave) |
| Network protocol: | DHCP / BOOTP / DNS | Vibration: | 58-100Hz / 0.98G (11ms / cycle) |
| Security: | SSL v3, RSA, AES, HTTP / HTTPS, CSR | ■ Product Information | |
| Resolution: | Up to 1600 x 1200 | Dimension (W x D x H): | 443 x 171 x 44 mm / 17.4 x 6.7 x 1.73 inch |
| Browser: | IE, Firefox, Safari, Netscape | Net weight: | 3 kg / 6.5 lb |
| ■ Compatibility | | ■ Packing Information | |
| Multi-platform: | Mix PCs, SUN and Mac G3 / G4 Mac / iMac | Dimension (W x D x H): | 500 x 400 x 90 mm / 19.7 x 15.7 x 3.5 inch |
| Support: | Windows 7 / Vista / 2003 / XP, Linux, Unix | Gross weight: | 5 kg / 11 lb |

KVM PORT CONNECTION



IP & Local console connection

