

NetView: 1U Rackmount 17" TFT 1280x1024 LCD KVM with 104 key notepad keyboard w/ Trackball (b), Integrated with Combo Cat6, 16 KVM Ports + 0 User Via CAT5 Extender + 1 Users Via KVM over IP. Over Depth is 19.7 Inch. Dongles sold separately

## CAT6 KVM

Model: NX117CIP16b

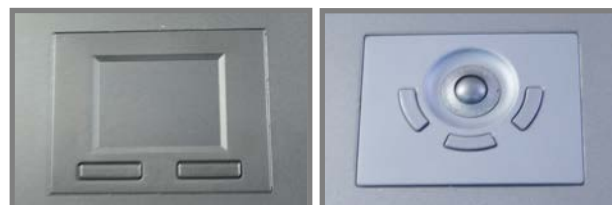


### FEATURES:

- 1U 17" LCD console drawer
- 104-key keyboard with either touchpad or trackball
- New enhanced aesthetics with molded front handle and two point lock
- Short depth design of 500mm(19.7 inch )Deep
- Support widescreen & native SUN 1152 x 900 resolution
- Multi-platform for PCs, SUN and Mac G3 / G4 Mac / iMac
- Hot pluggable, no software or drivers required

### SPECIFICATIONS:

|                                       |   |
|---------------------------------------|---|
| LCD Panel                             |   |
| Diagonal size                         | 17" TFT                                       |
| Max. Resolution                       | 1280 x 1024                                   |
| Brightness (cd/m2)                    | 250   |
| Backlight                             | CCFL  |
| Colors                                | 16.7M   |
| Contrast Ratio (typ)                  | 1000 : 1                                      |
| Viewing Angle (H/V)                   | 160° x 160°                                   |
| Active area (mm)                      | 338 x 270                                     |
| MTBF (hrs)                            | 50,000  |
| Casing Color                          | Black ( RAL 9005 )                            |
| Weight ( Single console )             |   |
| Net                                   | 12.3 kgs ( 27.1 lbs )                         |
| Gross                                 | 16.5 kgs ( 36 lbs )                           |
| Environmental                         |   |
| Operating                             | 0 to 50°C Degree                              |
| Storage                               | -5 to 60°C Degree                             |
| Relative humidity                     | 5-90%, non-condensing                         |
| Shock                                 | 10G acceleration ( 11 ms duration )           |
| Vibration                             | 5-500Hz 1G RMS random vibration               |
| Regulatory                            | cUL, FCC, CE                                  |
| Power                                 |   |
| Input                                 | Auto-sensing 100 to 240VAC, 50 / 60Hz         |
| Consumption                           | Max. 48 Watt, Standby 5 Watt                  |
| Product Dimensions ( Single console ) |   |
| Product                               | 441.6 x 500 x 44 mm / 17.4 x 19.7 x 1.73 inch |
| Packing                               | 590 x 808 x 140 mm / 23.2 x 31.8 x 5.5 inch   |



## HOW TO USE THE DRAWER:



- Hold the handle and slide out the drawer.



- Flip up the LCD to a suitable angle



- Operate the LCD console drawer.

## DIMENSION

Front View



Rear View



Side View



Top View



UNIT : mm  
1mm = 0.03937 inch

## STANDARD KEYBOARD

**e** e keyboard integrated with touchpad



**b** b keyboard integrated with trackball



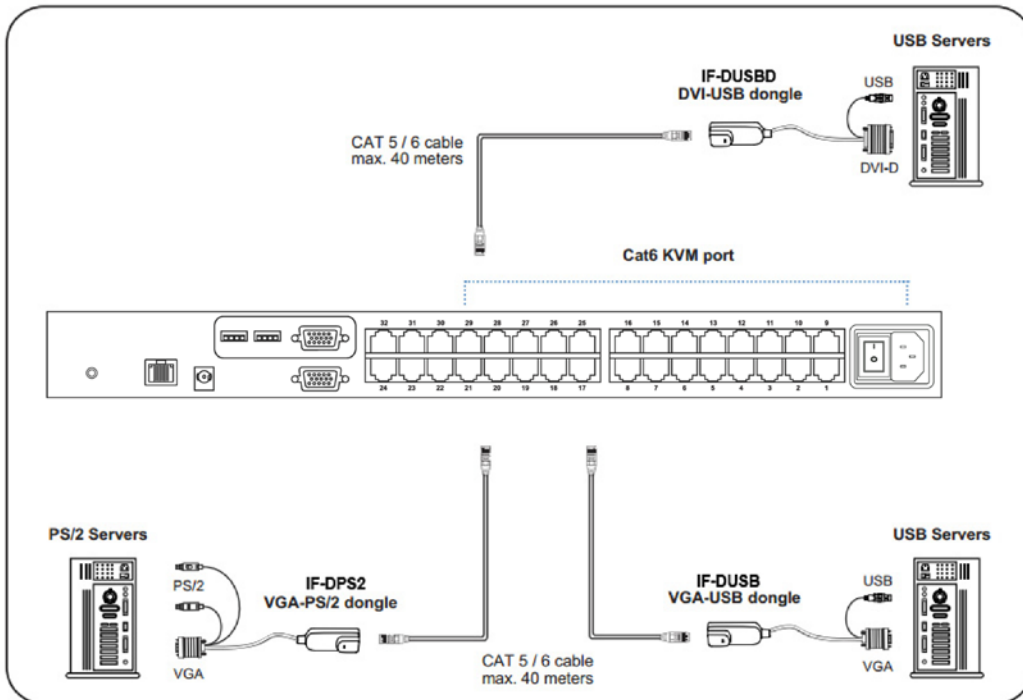
### Supporting layouts

|                |                |         |             |             |          |
|----------------|----------------|---------|-------------|-------------|----------|
| <b>America</b> |                |         |             |             |          |
|                | United States  |         |             |             |          |
| <b>EMEA</b>    |                |         |             |             |          |
|                | United Kingdom | Germany | France      | Spain       | Norway   |
|                |                |         |             |             |          |
|                | Italy          | Russia  | Switzerland | Netherlands | Portugal |
|                |                |         |             |             |          |
| <b>Asia</b>    | China          | Japan   | Korea       | Arabia      | Turkey   |

## STRUCTURE DIAGRAM



## KVM PORT & CAT6 DONGLE CONNECTION



### IF-DUSBD DVI-USB dongle

- To connect DVI-D connector to the computer's video card
- To connect USB connector to the computer's USB port



### IF-DUSB VGA-USB dongle

- To connect DB-15 connector to the computer's video card
- To connect USB connector to the computer's USB port



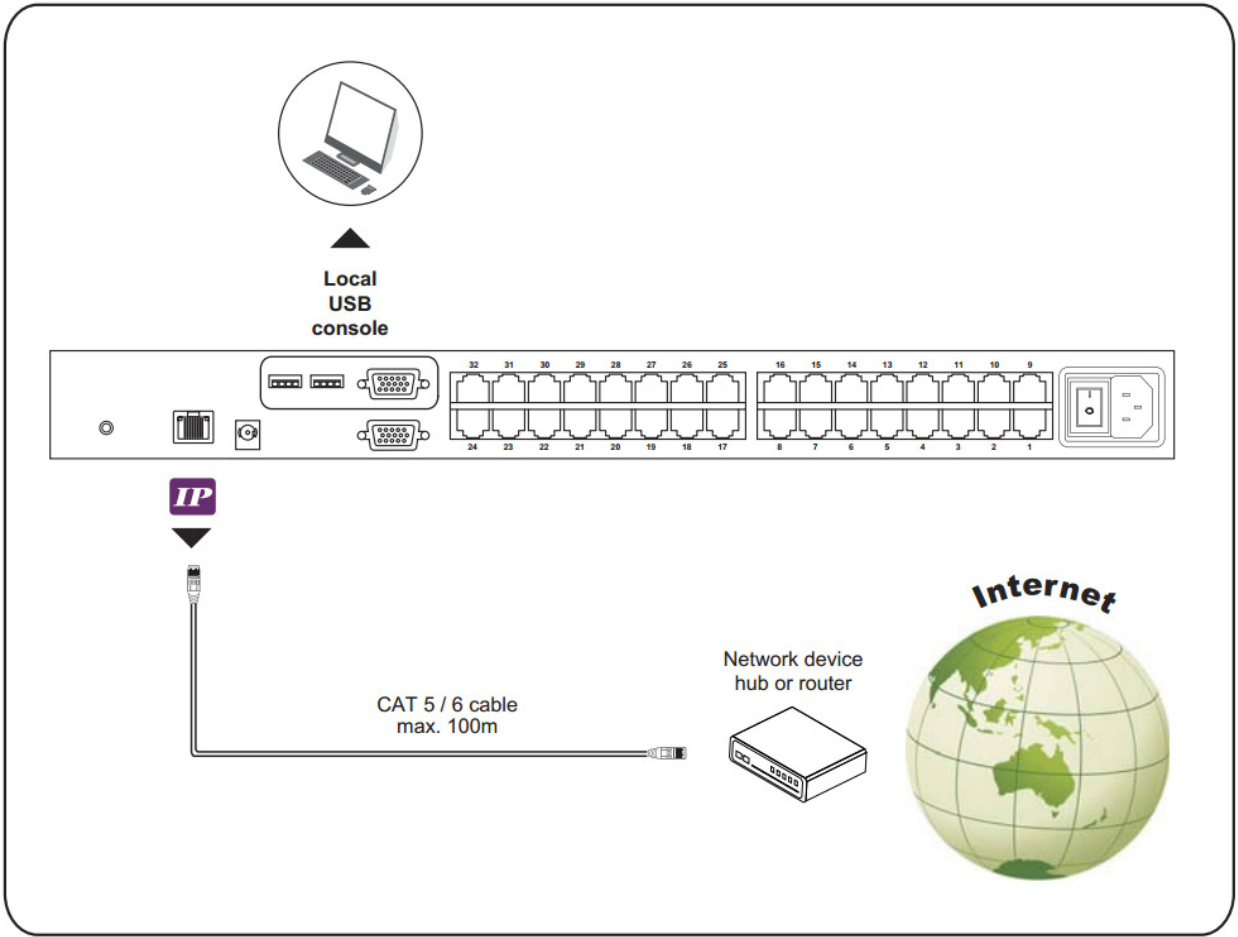
### IF-DPS2 VGA-PS/2 dongle

- To connect DB-15 connector to the computer's video card
- To connect PS/2 keyboard connector to the computer's keyboard port
- To connect PS/2 mouse connector to the computer's mouse port

| Cat6 Dongle | EDID<br>Resolution<br>Hard-coded | Resolutions Capable |             |             |            |
|-------------|----------------------------------|---------------------|-------------|-------------|------------|
|             |                                  | 4:3                 |             |             | 16:10      |
|             |                                  | 1024 x 768          | 1280 x 1024 | 1600 x 1200 | 1440 x 900 |
| IF-DPS2     | 1600 x 1200                      | ✓                   | ✓           | ✓           | ✓*         |
| IF-DUSB     | 1600 x 1200                      | ✓                   | ✓           | ✓           | ✓*         |
| IF-DUSBD    | 1280 x 1024                      | ✓                   | ✓           | ✗           | ✗          |

\* Requires the user to enable showing unsupported resolutions via the target computer's video adapter settings (effectively ignoring the DDC / EDID)

**IP & LOCAL CONSOLE CONNECTION**

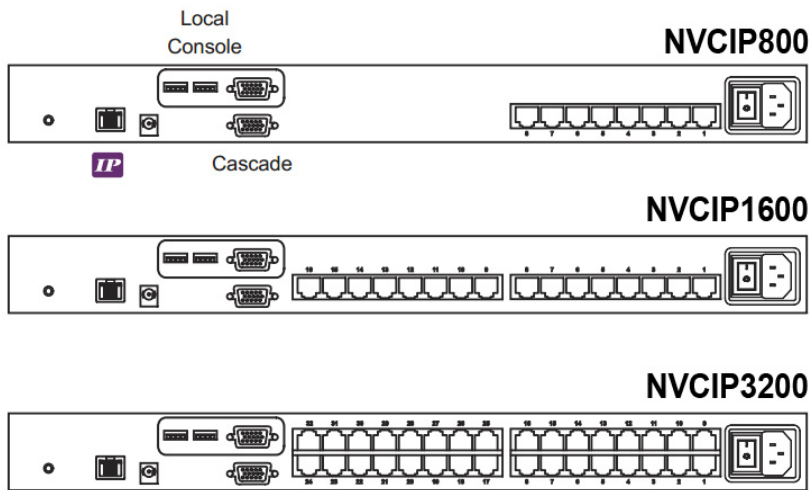


## Matrix Cat6 IP KVM Benefits

- Combo Cat6 KVM with either 8, 16 or 32 ports in 1U
- Up to 40 meters between your servers & KVM ports
- IP remote access across the world wide web
- Cascade switches up to 8 levels & Mix switches between Cat6 & Combo DB-15 KVM
- Support DVI-USB, VGA-USB & VGA-PS/2 server interface
- Mix PS/2, USB & SUN with Multi-Platform switch capability

## Switch Features & Options

- Multi lingual on screen display menu
- Advanced user profiles and configurable OSD hot key combinations
- Dual power with failover
- 12V, 24V and 48V DC Power options



## KVM SPECIFICATIONS

|                            |   |
|----------------------------|---|
| <b>■ KVM Port</b>          |   |
| Number of ports:           | 8, 16 or 32   |
| Connector:                 | RJ-45   |
| Connectivity:              | DVI-D / VGA connector dongle up to 40 meters (132 feet) via Cat6 / Cat5 cable |
| <b>■ Local Console</b>     |   |
| Graphic Connector:         | 1 x DB-15 VGA   |
| Resolution:                | Up to 1600 x 1200   |
| Input device:              | 2 x USB type A for keyboard & mouse   |
| Resolution support:        | 4:3 - max. 1600 x 1200<br>16:10 - max. 1440 x 900                             |
| <b>■ IP Remote Console</b> |   |
| Connector:                 | RJ45 Ethernet   |
| User management:           | 15-user login, 1 x active user  |
| Network protocol:          | DHCP / BOOTP / DNS  |
| Security:                  | SSL v3, RSA, AES, HTTP / HTTPs, CSR   |
| Resolution:                | Up to 1600 x 1200   |
| Browser:                   | IE, Firefox, Safari, Netscape   |
| Resolution support:        | 4:3 - max. 1600 x 1200  |
| <b>■ Expansion:</b>        | Up to 256 servers by 8-level cascade  |
| <b>■ Compatibility</b>     |   |
| Multi-platform:            | Mix PCs, SUN and Mac G3 / G4 Mac / iMac                                       |
| Support:                   | Windows 7 / Vista / 2003 / XP, Linux, Unix                                    |

|                              |  |
|------------------------------|--|
| <b>■ Power</b>               |  |
| Input:                       | Auto sensing 100 to 240VAC, 50 / 60 Hz<br>OR AC / DC power adapter 12V@3.3A (optional) |
| Consumption:                 | Max. 24 Watt, Standby 5 Watt   |
| <b>■ Regulatory :</b>        |  |
| Safety:                      | cUL, FCC & CE certified  |
| Environment:                 | RoHS2 & REACH compliant  |
| <b>■ Environmental</b>       |  |
| Operating:                   | 0 to 50°C  |
| Storage:                     | -5 to 60°C   |
| Relative humidity:           | 90%, non-condensing  |
| Shock:                       | 50G peak acceleration (11ms, half-sine wave)   |
| Vibration:                   | 58-100Hz / 0.98G (11ms / cycle)  |
| <b>■ Product Information</b> |  |
| Dimension (W x D x H):       | 443 x 171 x 44 mm / 17.4 x 6.7 x 1.73 inch   |
| Net weight:                  | 3 kg / 6.5 lb  |
| <b>■ Packing Information</b> |  |
| Dimension (W x D x H):       | 500 x 400 x 90 mm / 19.7 x 15.7 x 3.5 inch   |
| Gross weight:                | 5 kg / 11 lb   |

## KVM CASCADE

- Cascade up to 8 levels, 256 servers
- Cascading multiple KVM with CBC-6 cascade cable

