

TRANSIT CASE, PIVOT DISPLAY DRAWER

1U Lay Flat Swivel pivots on the center axis Rackmount
19" LCD Monitor 1280x1024 Drawer VGA + HDMI+ DP, RGB
20" Deep, with Key lock and handle. Tilt Forward 20-25 Degree Passed
90 Degree. Thumb Screw with Collapsible Handle

MODEL: DRP119S-DP



The DRP Series is an high performance 1U 19" LCD display drawer. It offers monitors with high contrast ratios and wide viewing angles. The display is held open with a proprietary 60 lb pivoting heavy-duty torque hinge, giving it a range of motion from 0 - 120 Degs from closed. The display pivots up to 60 Degs along the monitors center axis. This gives the user 3 directionalities of freedom, allowing the DRP119S-DP to be adjusted to almost any position.

FEATURES:

- Rugged All Aluminum Construction
- Customizable Modular Design
- Transit Case Ready
- Pivoting Display Drawer
- Mil Spec Friction Rails
- Held Closed By Key Cam Lock or Thumb Screws
- Intergrated Slides With Mounting Brackets

VIDEO CONTROLLERS:

V23X Embedded Controller

Max Resolution: 1920 x 1200
Input Options Available: VGA, DVI, HDMI
Audio: Optional

V25X Embedded Controller

Max Resolution: 1920 x 1200
Input Options Available: VGA, DVI,
Audio: Optional

V33X Controller

Max Resolution: 1920 x 1200
Input Options Available: VGA, HDMI, Display Port

LCD DETAILS:

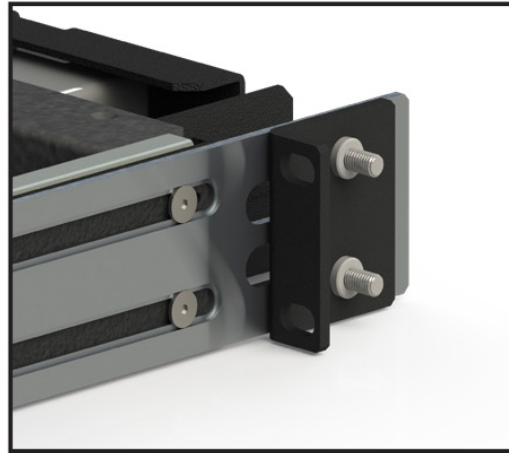
- **SXGA 1280 x 1024** (Max Res)
- **19" LED Backlit LCD**
- **Viewing Angles: 89/89/89/89**
- **Contrast Ratio: 1000:1**
- **Brightness: 700 NITS**
- **Response Time: 12.5ms**
- **Operational Temp: 0-50c**

FRONT FACE

Thumbscrew with 5" Collapsible Handle

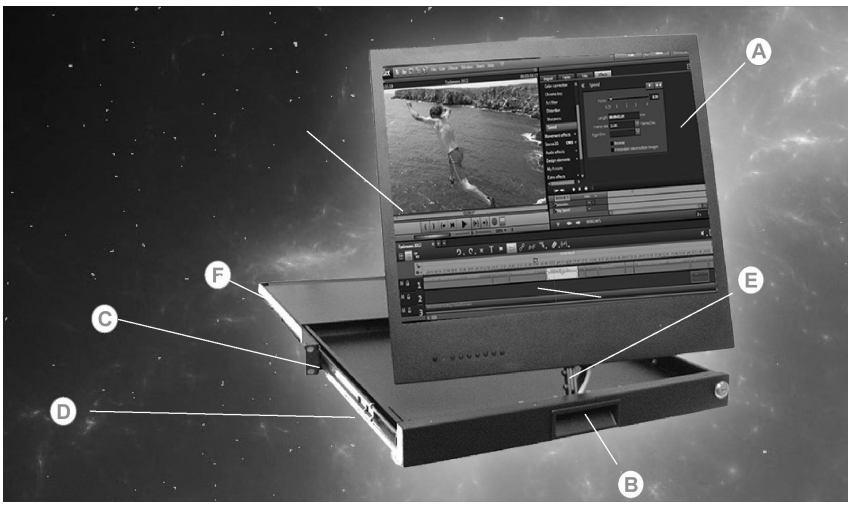


TRANSIT CASE ARMS



SPECIFICATIONS

Dimensions: 19" W x 1.75" H x 20" D min.
Weight: 35
Power Consumption: 35W



A. LED Backlit LCD

17.3" and 19" both available in High Bright

B. Front Face

Options include handles, speakers, locks, and thumbscrews

C. Integrated Slides

Military Grade Friction Slides add infinite stopping positions

D. Friction Rails

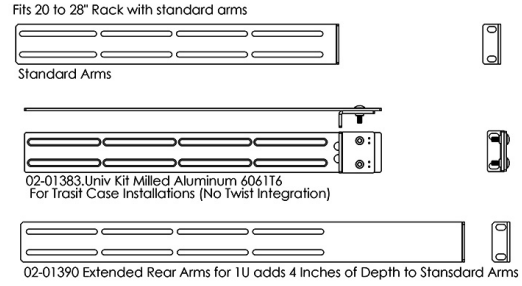
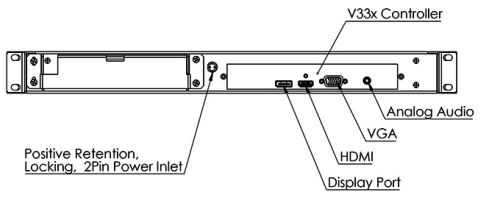
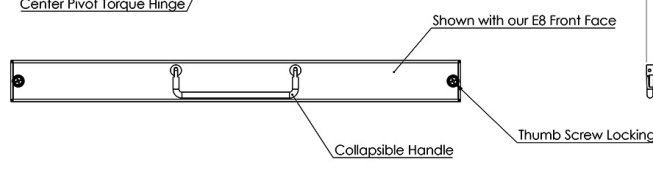
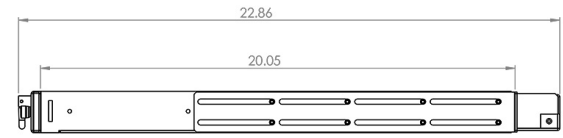
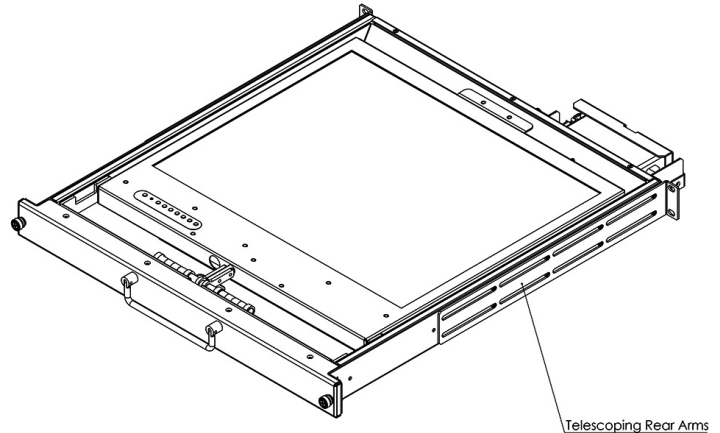
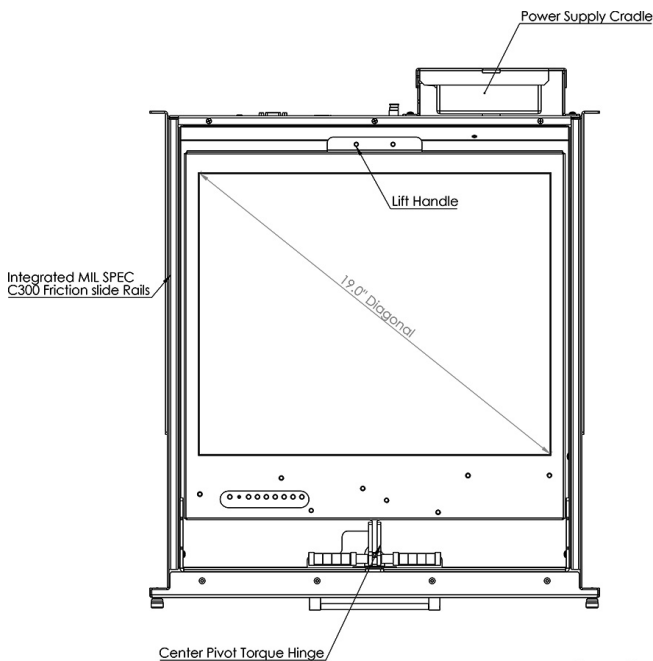
Designed to Military Specification

E. Heavy Duty Torque Hinge

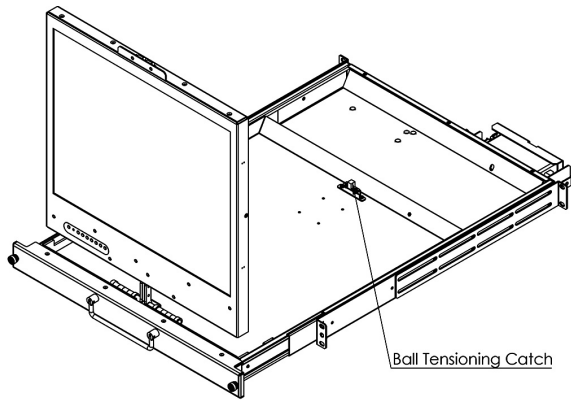
60 lb resistance, 120 degree range of motion

F. Transit Case Arms

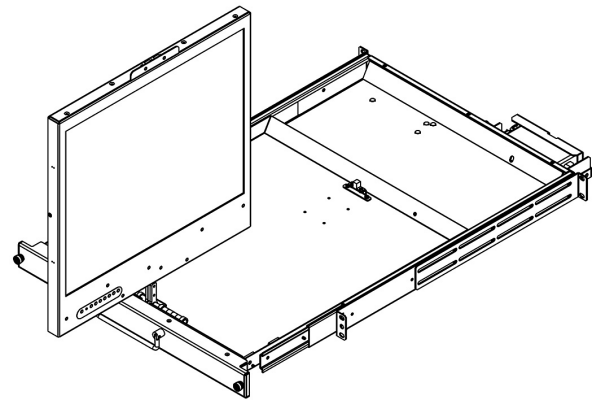
DIMENSIONAL DRAWINGS



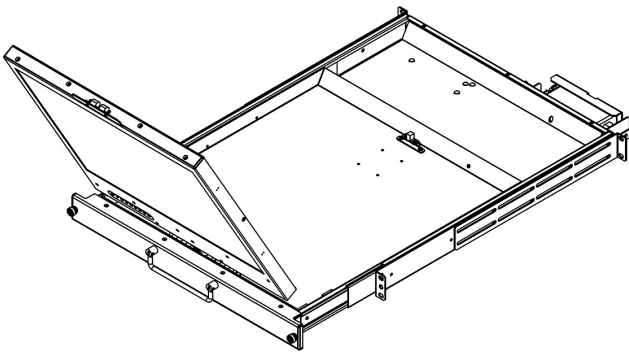
DIMENSIONAL DRAWINGS



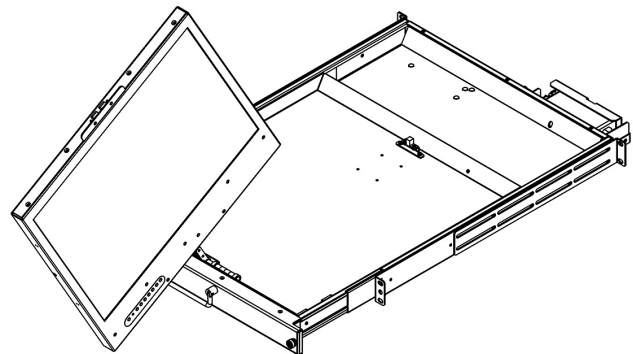
Deployed , Straight Up



Deployed , 90 Deg Center Pivot



Deployed , 120 Deg From Stowed Position



Deployed , 120 Deg From Stowed Position, and 90 Deg Center Pivot