

Pivot Display Drawer (Flat)

1RU Fold Away Monitor

1U Rackmount 20.1" LCD Monitor 1600 x 1200 Drawers with VGA, HDMI (no HDCP), Display Port 1.2a, 22" deep, Thumb Screw Front Face w/Collapsible Handle

Model: DRP120-V2



The DRP Series has the largest Display that can physically fit in a 19" rack. It is a high performance 1U LCD display drawer sporting 20.1", 19W, 19, 17W and 17" LCD Monitors. These monitors have high contrast ratios and wide viewing angles. It folds away to fit in a 1U (1.75") space.

It employs the new technology S-IPS (Super In Plane Switching) to produce the industries widest viewing angle 178°/178° and the fastest response time (8 ms).

The chassis unique design allows for the unit to be mounted flush in the rack or move up to 2" forward out of the Rack or Transit case. It can be ordered with our Transit Mounting Rear Arms to allow for direct slide installation. Video inputs include aRGB, DVI-D, CVS, S-Video, PC Audio I/O, and Video Audio I/O with 5W speaker amplifier. Our Video Version comes with Picture-in-Picture and can be ordered with integrated speakers in the front.

The Standard Finish is Black Powder Coated Lite Texture, but it can be customized to any color or logo.

Enclosure

- Mounts in standard 19-inch rack cabinets 24"- 32" depths
- Utilizes only 1RU (1.75")
- RSI Design (Rapid Start Installation). Installation takes Less than 5 minutes!
- Rugged all Aluminum construction for light weight applications and designed to satisfy Broadcast, Industrial, IT, Medical and Military requirements.
- Telescoping front ears and rear arms with mounting hardware options for Standard Rack, Transit Case or Mobile Installations.

Display:

- 17", 17W, 19", 19W & 20.1" Diagonal Active Matrix TFT LCD Displays available
- Featuring Samsung & LG Technologies
- Large Viewing Area

Video Controller:

- Standard Analog RGB input, optional DVI-D, NTSC/ Pal, S-Video and CVS.
- OSD (On Screen Display) monitor controls

Power:

- +12 VDC Operation
- Low Power Consumption

Other Features / Options:

- HD / SD-SDI: (HD/SD-SDI via V03X Controller)
- HDISD - SDI (increases the frame depth to 27")
- Integrated Audio speakers



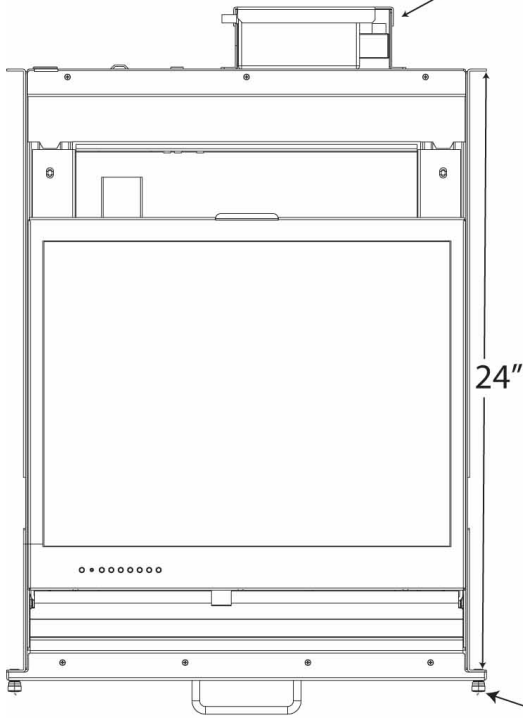
TECHNICAL SPECIFICATIONS:

Monitor Size	20.1"
Display Type	UXGA, Color, TFT-LCD, 6 CCFL BackLight
Max Resolution/Refresh	1600x1200
Aspect Ratio	4:3
Display Colors	16.78M
Brightness (Nits cd/m2)	300
Contrast Ratio	800:1
Response Time (Tr/Tf)(ms)	8 ms GTG (Avg. Typ)
Pixel Pitch (HxW)(mm)	.255 x .255
Power Management	EPA energy star, VESA compliance
Viewing Angle (Deg)	89/89/89/89
MTBF (Hours)	30,000-50,000
Surface Treatment	Hard-coating (3H), Non Glare treatment
Temperature Operating (C)	0 to +50 Deg C.
Temperature Storage (C)	-20 to +60 Deg C.
Altitude Operating (Ft)	12,000
Altitude Storage (Ft)	40, 000
Humidity Operating (%RH)	5 to 90
Humidity Storage (%RH)	5 to 90
Video Controller:	VGA, HDMI (no HDCP), Display Port 1.2a
* OSD (On Screen Display) monitor controls	

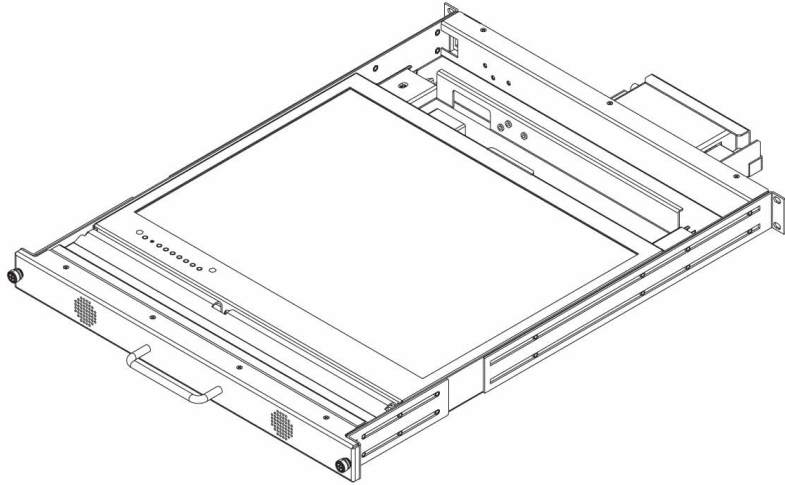
Dimensional Drawings



Optional Power Supply Cradle



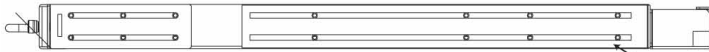
24"



Thumb Screws to secure the unit in closed Position



Optional Amplified Apeakers on Front Face



Telescoping rear arms to fit it rack applications from 24" to 36".

Also available are the transit case straight in arms and hardware to fit into transit case applications. (Ask a Sales Engineer for Further Deatils