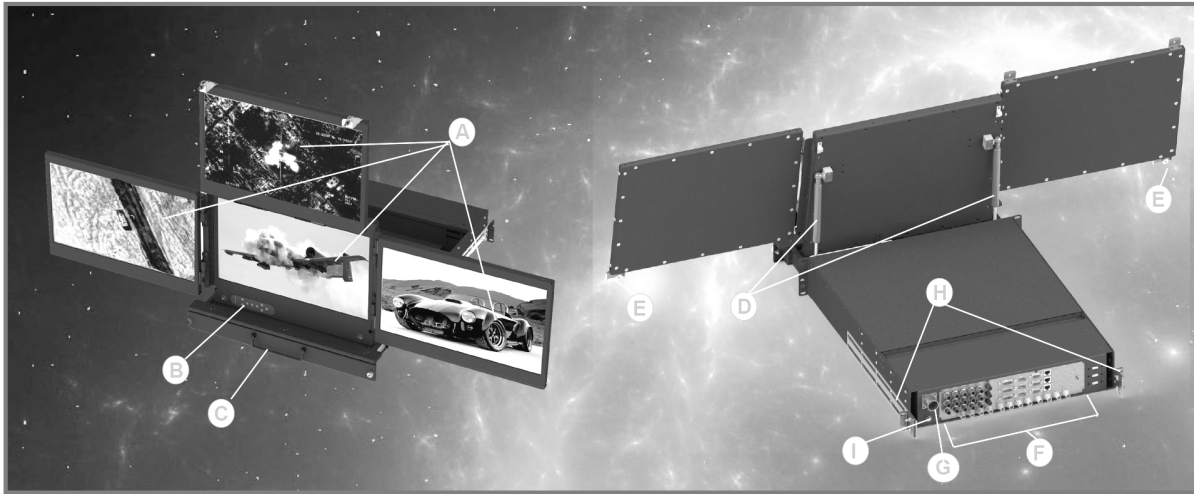


MULTI-HEAD DISPLAY RACK DRAWER

3U, QUAD 20" Deep Multi-Head Display Drawer, w/ 4x 17.3" Wide 1920x1080 LED Backlit LCDs, VGA, HDMI, Display Port Single OSD Button Board, Non Bearing Friction Slides, Thumbscrew Front (Display Stop) w/ Heavy Duty Collapsible Handle, TOP/LEFT/RIGHT/MIDDLE

MODEL: DRP4W1730



FEATURES:

- A. LED Backlit LCDs
- B. Unified OSD Buttons
- C. Collapsible Handle
- D. Gas Support Struts
- E. Display Lock Downs
- F. Input Options
- G. Power Connector
- H. Transit Case Arms
- I. Grounding Stud

Features

- Rugged All Aluminum Construction
- Customizable Modular Design
- Innovative Unified OSD Control
- Multiple Display Options
- Integrated Cage Cable Guide
- Integrated Friction Slide Rails
- Adjustable/Telescoping Rear Arms
- Mounts in 19" Racks from 18-30"*

Display:

FHD 1920 x 1080 (Max Res)

- 17.3" Wide LED Backlit LCD w/ Anti-Glare
- Viewing Angles: 80L/80R/60U/80D
- Brightness: 400 NITS
- Operating Temp: 0-70c

FHD 1920 x 1080 (Max Res)

- 17.3" Wide LED Backlit LCD w/ Anti-Glare
- Viewing Angles: 80/80/60/80
- Brightness: 1000 NITS
- Operating Temp: 0-70c

FHD 1920 x 1080 (Max Res)

- 17.3" Wide LED Backlit LCD w/ Anti-Glare
- Viewing Angles: 80/80/60/80
- Brightness: 400 NITS
- Operational Temp: -10-70c
- Storage Temp: -20-70c

Video Controller:

V33xA Controller (Mid Range Option)

- Fits F20 or larger (depends if embedded)
- Max Resolution: 1920 x 1200
- Designed to meet Shock and Vibration Requirements
- Inputs Available: VGA, HDMI, Displayport, Audio

V23xA Controller (Broadcast Option)

- Fits F22 or larger
- Max Resolution: 1920 x 1200
- Inputs Available: VGA, HDMI, DVI, Optional YPbPr, CVS and Audio, Single or Dual Channel 3G HD/SDI)

V23xM Controller (Military Option)

- Fits F22 or larger
- Max Resolution: 1920 x 1200
- Inputs Available: VGA, HDMI, Display Port, Audio, Optional YPbPr
- Military Grade
- Conformally Coated
- Designed to meet Shock and Vibration Requirements

Specifications:

- Dimensions: 2U-3U H x 19"W x 18, 20, 22"D
- Weight: 30-45 lbs*
- Power Consumption: 75-128W*
- Shipping Weight: 45-55WW lbs*
- Shipping Dimensions: 8" x 22" x 36"



i-Tech Company LLC

TOLL FREE: (888) 483-2418 • EMAIL: info@itechlcd.com • WEB: www.iTechLCD.com

FRONT FACE Options



Thumbscrew with 5" Collapsible Handle



Thumbscrew w/ Flush Collapsible Handle & Speakers

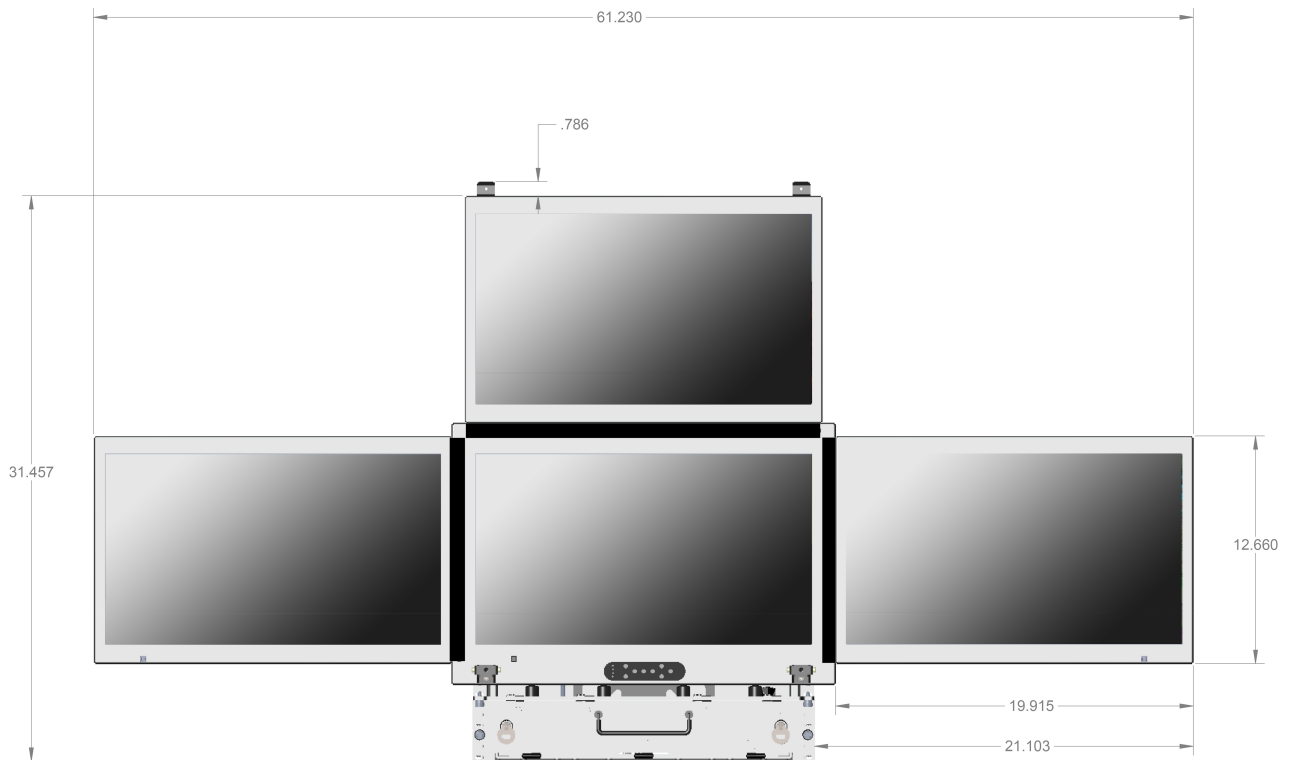
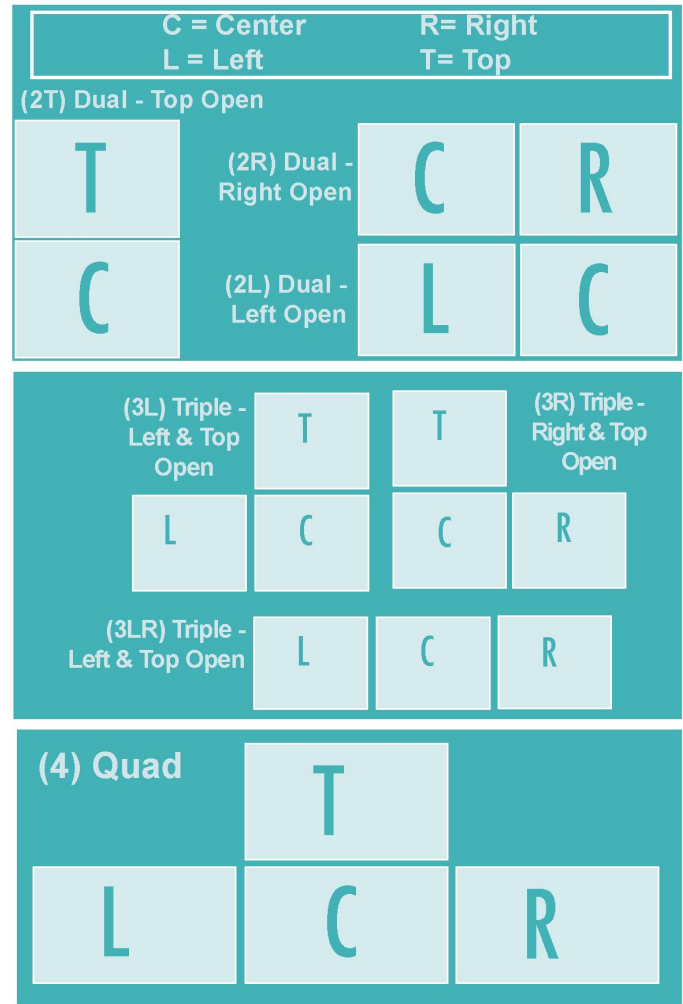


Thumbscrew w/ 7.5" Pull Handle & Speakers

Additional Enhancement Options

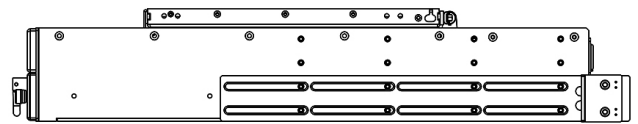
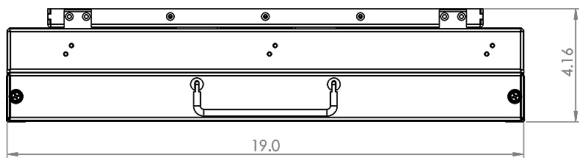
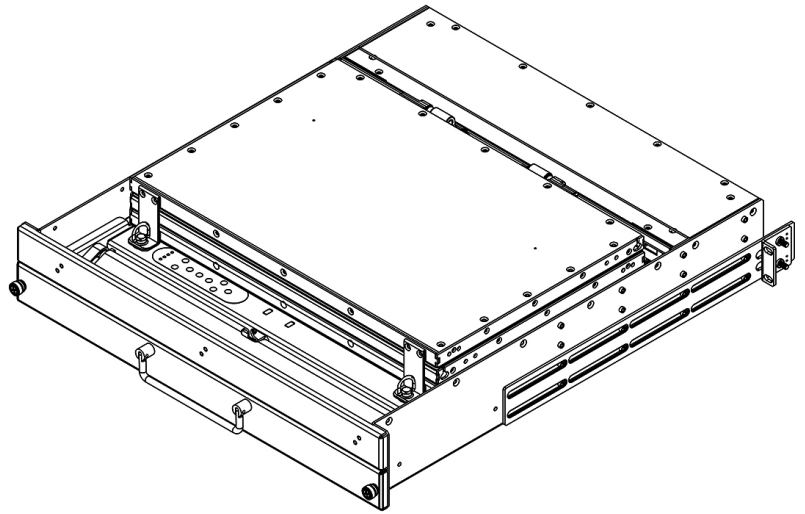
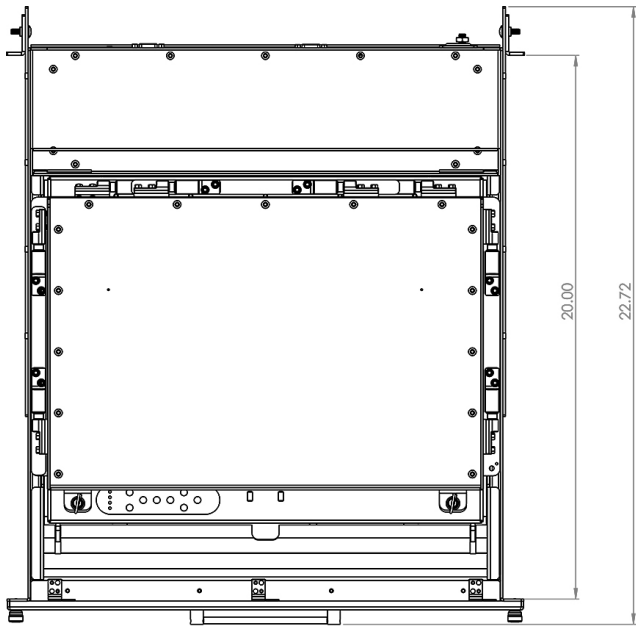
- AR Lens
- ITO Lens
- Resistive Touch
- PCAP Touch
- Optical Bonding
- High Bright
- NVIS Backlight

MONITOR Configurations



SCALE 1 : 4

Dimensions Drawings



Dimensions Drawings

