

RUGGED PORTABLE CHASSIS

17.3" FHD 1920x1080, Rugged Portable Enclosure PC, Hot-Swappable Hard Drives with Intel Core i5, Windows 11, GTX 1660 Ti 6GB Graphics Card

MODEL: ALXW1730-i5-IB1



VERSATILE PLATFORM

ALXW1730 comes with highly sought-after features such as hot-swappable hard drives, 4 full-length expansion slots, and more. It can be configured with many special add-on cards tailored to your specific unique applications.

HIGH-PERFORMANCE

Some expect the ALXW1730 to sacrifice some power because of its compact design. However, the ALXW1730 is packed with high-performance capabilities, supporting the latest CPUs and graphics cards.

LIGHTWEIGHT AND COMPACT

The chassis only weighs approximately 165 pounds. Its dimensions are 16.50"W x 13.62"H x 7.25"D.

FEATURES

- ASUS TUF Gaming B660M-PLUS WiFi D4 LGA 1700(Intel 12th Gen)
- Intel Core i5 (12th Gen) i5-12500 3 GHz Processor
- Noctua NH-L9i-17xx, Premium Low-Profile CPU Cooler for Intel LGA1700
- PNY GeForce® GTX 1660 Ti 6GB Graphics Card
- SAMSUNG 980 PRO 500GB PCIe NVMe Gen4 Internal Gaming SSD M.2
- G.SKILL Ripjaws V Series 16GB (2 x 8GB) 288-Pin PC RAM DDR4 3200 (PC4 25600)
- Syba Dual 2.5 Gigabit Ethernet PCI Express PCI-E Network
- DTech DVI Male to VGA Female Adapter DVI-I 24+5 Port Converter
- Windows 11

SPECIFICATIONS

PROCESSOR	Intel Core i5 (12th Gen) i5-12500 3 GHz Processor
GRAPHICS	PNY GeForce® GTX 1660 Ti 6GB Graphics Card
RAM	Up to 768GB DDR4 RAM
DISPLAYS	17.3" FHD 1920x1080 - 300 Nits Upgradable Options: 1000 Nits, UHD 3840x2160, 60Hz Display 2k, 144Hz Displays Projected Capacitive Or Resistive Touchscreen Options
STORAGE	SAMSUNG 980 PRO 500GB PCIe NVMe Gen4 Internal Gaming SSD M.2
EXPANSION SLOTS	Up To 4
POWER SUPPLY	580w 100/240vac, 50/60hz Auto-Switching 80 Plus Gold Rated Power Supply
DIMENSIONS AND WEIGHT	Height: 13.62" (346mm) Width: 16.50" (410mm) Depth: 7.25" (184mm) Weight: 23 Lbs (10.4kg)
MATERIAL	Metal/Aluminum Color: Black
SCREEN:	17.3" , 1920x1080, 16:9 Aspect Ratio
KEYBOARD	QWERTY Keyboard
OTHER FEATURES	Padded Carrying case with wheels
CASE SIZE	14.05"H x 16.46"W x 6.96"D
SYSTEM WEIGHT	25 lbs

**Specifications subject to change without notice, not responsible for typographical errors.*

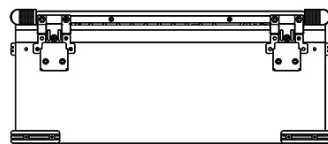
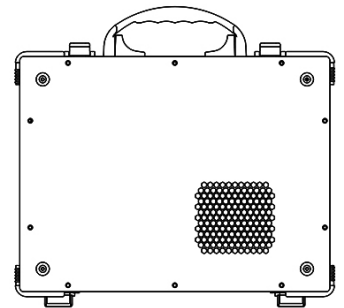
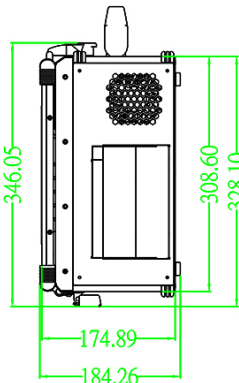
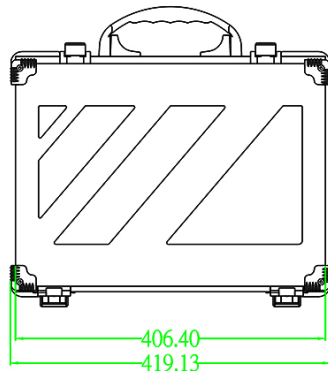
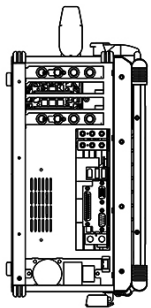
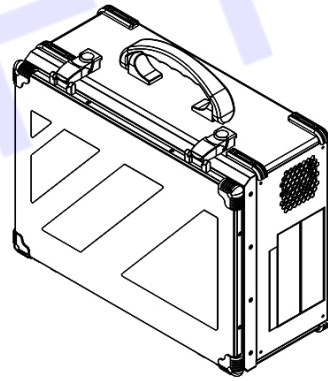
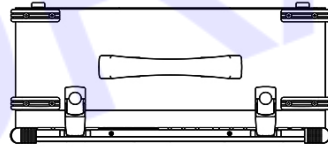
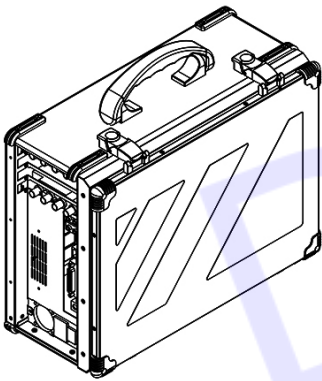
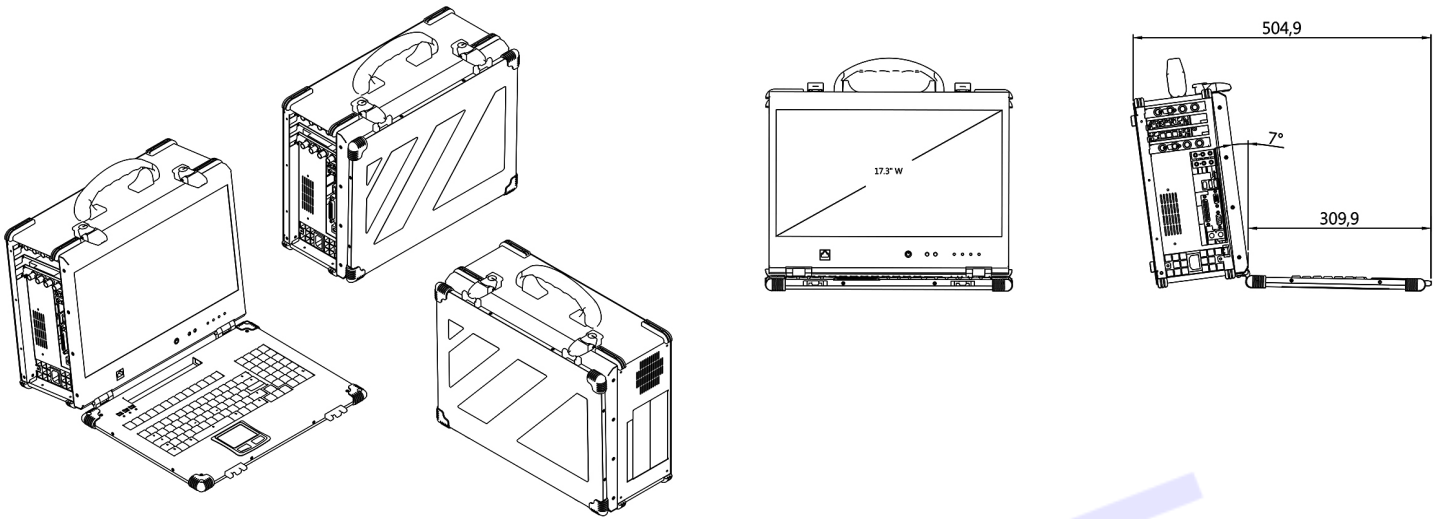


i-Tech Company LLC
EMAIL: info@itechlcd.com • WEB: www.itechlcd.com

Modified Date: 03-10-2023

MECHANICAL DRAWINGS

This is subject to change without Notice. Final Drawings Will be Provided for Approval after Order.



Drawing No.: ALXW1730-i5-IB1-03102023-V1