

17" SXGA AFOLUX Panel PC

AFL-17A-915

Intel® Celeron® M 1.0GHz with 512KB L2 cache Processor

AFL-17B-915

Intel® Pentium® M 2GHz (Max.)

AFL-17B-AM2

AMD Athlon™ 64 x 2 Dual Core processor 5200+ (Max.)

AFL-17C-9652

Intel® Core 2 Duo T7500 2.2GHz processor (Max.)



Features

- 17" TFT LCD with resistive touch screen
- System memory up to 2 GB SDRAM
- Built-in 802.11 b/g (802.11 b/g/n) Wireless LAN
- Built-in Bluetooth module
- Built-in two 1.5 W / 3W speakers
- Built-in HSUPA module for mobile connection
- One compact flash slot
- IP 64 compliant front panel

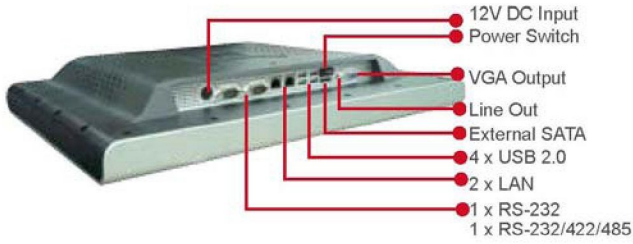


Specifications

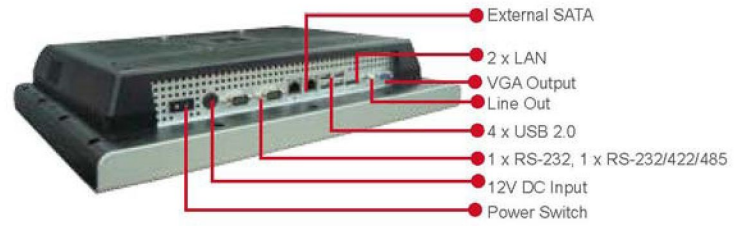
Model	AFL-17A-915-R11 <i>Fanless</i>	AFL-17B-915-R11	AFL-17B-AM2	AFL-17C-9652
LCD Size	17"			
Max Resolution	1280 x 1024			
Brightness (cd/m ²)	300			
Contrast Ratio	800 : 1			
LCD Color	16.7M			
Pixel Pitch (mm)	0.264(H) x 0.264(V)			
Viewing Angle (H-V)	160°/160°			
Backlight MTBF	50000 hrs			
SBC Model	AFLMB-9152-R11		AFLMB-690EAM2	AFLMB-9652-R10
CPU	Intel® Celeron® M process 1Gz with 512KB L2Cache processor CPU	Intel® Pentium® M process (up to 2.0GHz) processor CPU Intel® Celeron M process CPU	AMD Athlon 64 X2 Dual-Core Processor CPU	Intel® Celeron® M550 2.0GHz CPU Intel® Core 2 Duo T7500 2.2GHz CPU
Chipset	Intel® 915 GME		AMD 690E	Intel® GME965 Chipset
RAM	Supports two 400MHz or 533MHz DDRII SO-DIMM (4GB Max.)		Supports one 400MHz or 533MHz or 667MHz or 800MHz DDRII SO-DIMM (2GB Max.)	Supports two 400MHz DDRII SO-DIMM (4GB Max.)
I/O Ports	1 x RS232 COM Port 1 x RS-232/422/485 COM port 2 x RJ-45 for Giga LAN 4 x USB 2.0 1 x Power Switch		1 x Reset Button 1 x External SATA 1 x Audio Port 1 x VGA Port 1 x Power Jack	
SSD	CF Typell			
Watchdog Timer	Software programmable supports 1~255 sec. System reset			
Audio	AMP 1.5W + 1.5W(internal speaker)	AMP 3W + 3W(internal speaker)	AMP 3W + 3W(internal speaker)	AMP 3W + 3W(internal speaker)
Camera Module	N/A			
Expansion	1 x Wireless Lan 802.11 b/g Module (internal PCIe mini card interface) 1 x Bluetooth Function (internal USB interface, Bluetooth V2.0)		1 x Wireless Lan 802.11 b/g/n Module (internal PCIe mini card interface) 1 x Bluetooth Function (internal USB interface, Bluetooth V2.0)	
Drive Bay	1 x 2.5" SATA HDD bay			
Optional HSUPA Module (support GSM 850, EGSM 900, DCS 1800 & 1900)	N/A	1 x HSUPA Mobile Module (USB Interface)	1 x HSUPA Mobile Module (USB Interface)	1 x HSUPA Mobile Module (USB Interface)
Construction Front Panel	ABS + PC Plastic front frame			
Membrane Keypad	N/A			LCD On/Off, Brightness Up/Down, Volume Up/Down
LED Function	1 x Power ON/OFF LED on Front Panel			
Mounting	Panel, Wall, Rack, Stand and Arm VESA 100mm x 100mm			
Front Panel Color	Sliver (877U) & Gray (ABSA2037)			
Dimension (WxHxD) (mm)	428 x 350 x 65	428 x 350 x 76	428 x 350 x 76	428 x 350 x 76
Operation Temperature (°C)	0°C ~40°C with HDD, 0°C ~45°C with CF Card or SATA interface 2.5" SSD HDD			
Storage Temperature (°C)	-20°C ~60°C			
N/G Weight	5 Kg	5.8 Kg	5.8 Kg	5.8 Kg
IP Level	Front Frame IP64			
Safety & EMC	CE / FCC / CB / CCC			
Touch Screen	Resistive Type 5-Wire (Touch controller IC is on board) or Capacitive type touch screen without HDD bay			
Power Adapter	P/N: 63000-FSP0841ADC11118-RS 84W Power Adapter Input: 90VAC~264VAC, 50/60Hz Output: 12VDC	P/N: 63000-FSP0841ADC11118-RS 84W Power Adapter Input: 90VAC~264VAC, 50/60Hz Output: 12VDC	P/N: 63000-FSP150AHA312-RS 150W Power Adapter Input: 90VAC~264VAC, 50/60Hz Output: 12VDC	P/N: 63000-FSP096AHB-RS 96W Power Adapter Input: 90VAC~264VAC, 50/60Hz Output: 12VDC
Power Requirement	12VDC			
Power Consumption	61W	80W	117W	86W (Intel® T7500, 2GB memory, 80G HDD)

Fully Integrated I/O

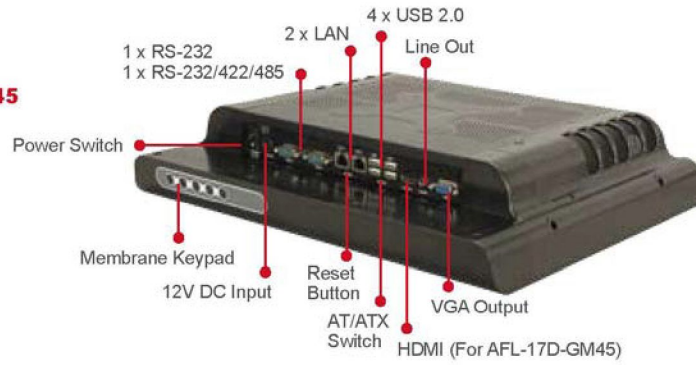
• AFL-17A-915



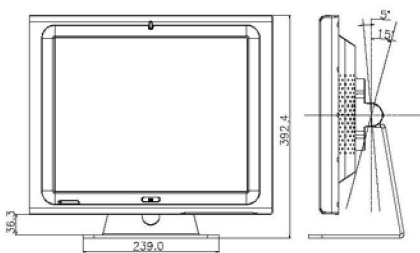
• AFL-17B-690 / AFL-17B-915



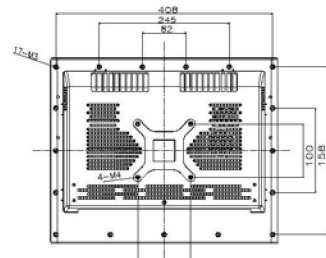
• AFL-17D-N270/AFL-17D-GM45



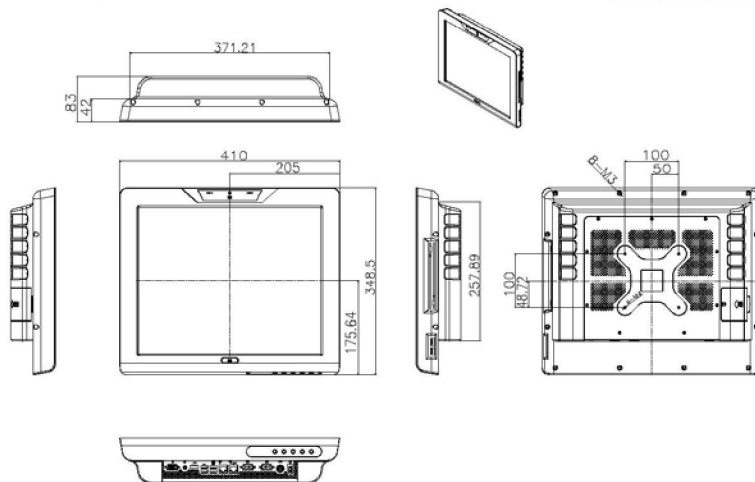
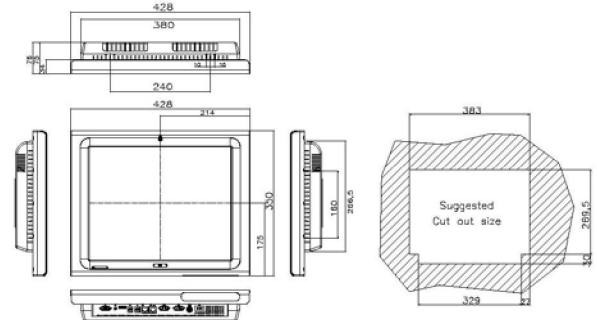
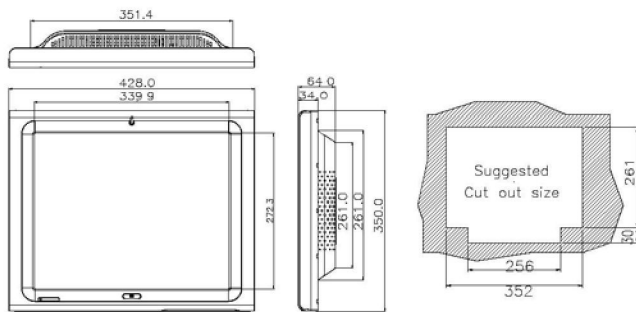
Dimensions (Unit: mm)



AFL-17A



AFL-17B/17C



Ordering Information

Part Number	Description
AFL-17D-N270/WT-R/1GB/**(HU01)-R10	17" 300cd/m ² SXGA fanless panel PC with Intel® Atom™ N270 1.6GHz CPU,1GB DDR2 RAM,802.11 b/g wireless module,touch screen,Bluetooth,300K camera,microphone,RoHS
AFL-17D-N270/WT-R/OD/1GB/**(HU01)-R10	17" 300cd/m ² SXGA fanless panel PC with Intel® Atom N270 1.6GHz CPU,1GB DDR2 RAM,802.11 b/g WiFi,touch screen,Bluetooth,300K camera,microphone, DVD-COMBO, RoHS
AFL-17A-915-10G/WT-R/1GB-R11	17" 300cd/m ² SXGA fanless panel PC w/ Celeron M 1.0GHz 512K cache CPU,DDR2 RAM,802.11 b/g wireless module,touch screen,Bluetooth,RoHS
AFL-17B-915-PM16G/WT-R/1GB/**(HSUPA01)-R11	17" 300cd/m ² SXGA panel PC w/ Pentium® M 1.6GHz CPU, 1GB DDR2 RAM, 802.11 b/g wireless module, touch screen, Bluetooth, RoHS
AFL-17B-915-CM370/WT-R/1GB/**(HSUPA01)-R11	17" 300cd/m ² SXGA panel PC w/ Celeron® M 1.5GHz CPU, 1GB DDR2 RAM, 802.11 b/g wireless module, touch screen, Bluetooth, RoHS
AFL-17B-AM2/WT-R/1GB/**(HSUPA01)-R10	17" 300cd/m ² SXGA panel PC w/ AMD Athlon 64 X2 Dual-Core 5050e 2.6GHz CPU, 1GB DDR2 RAM, 802.11 b/g/n wireless module, touch screen,Bluetooth, ROHS
AFL-17C-9652-CM550/WT-R/1GB/**(HSUPA01)	17" 300cd/m ² SXGA panel PC with Celeron® M 550 2.0GHz CPU,1GB DDR2 RAM,802.11 b/g/n wireless module,touch screen,Bluetooth,RoHS
AFL-17C-9652-T7500/WT-R/2GB/**(HSUPA01)	17" 300cd/m ² SXGA panel PC with Core™2 Dou T7500 2.2GHz CPU,2GB DDR2 RAM,802.11 b/g/n wireless module,touch screen,Bluetooth,RoHS
AFL-17D-GM45-CM575/WT-R/1GB/**(HSUPA01)-R10	17" 300cd/m ² SXGA panel PC with Celeron M 2.0GHz CPU,1GB DDR2 RAM,802.11 b/g/n wireless module,touch screen,Bluetooth,300K camera,microphone,RoHS
AFL-17D-GM45-T7500/WT-R/2GB/**(HSUPA01)-R10	17" 300cd/m ² SXGA panel PC with Core 2 Duo T7500 2.2GHz CPU,2GB DDR2 RAM,802.11 b/g/n wireless module,touch screen,Bluetooth,300K camera,microphone,RoHS
AFL-17D-GM45-P8400/WT-R/1GB/**(HU01)-R10	17" 300cd/m ² SXGA panel PC with Core 2 Duo P8400 2.26GHz CPU,2GB DDR2 RAM,802.11 b/g/n wireless module,touch screen,Bluetooth,300K camera,microphone,RoHS
AFL-17D-GM45-T9400/WT-R/2GB/**(HSUPA01)-R10	17" 300cd/m ² SXGA panel PC with Core 2 Duo T9400 2.53GHz CPU,2GB DDR2 RAM,802.11 b/g/n wireless module,touch screen,Bluetooth,300K camera,microphone,RoHS
AFL-17D-GM45-CM575/WT-R/OD/1GB/**(HU01)-R10	17" 300cd/m ² SXGA panel PC with Celeron M 2.0GHz CPU,1GB DDR2 RAM,802.11 b/g/n WiFi,touch screen,Bluetooth,300K camera,microphone, DVD-COMBO, RoHS
AFL-17D-GM45-T7500/WT-R/OD/2GB/**(HU01)-R10	17" 300cd/m ² SXGA panel PC with Core 2 Duo T7500 2.2GHz CPU,2GB DDR2 RAM,802.11 b/g/n WiFi,touch screen,Bluetooth,300K camera,microphone, DVD-COMBO, RoHS
AFL-17D-GM45-P8400/WT-R/OD/2GB/**(HU01)-R10	17" 300cd/m ² SXGA panel PC with Core 2 Duo P8400 2.26GHz CPU,2GB DDR2 RAM,802.11 b/g/n WiFi,touch screen,Bluetooth,300K camera,microphone, DVD-COMBO, RoHS
AFL-17D-GM45-T9400/WT-R/OD/2GB/**(HU01)-R10	17" 300cd/m ² SXGA panel PC with Core 2 Duo T9400 2.53GHz CPU,2GB DDR2 RAM,802.11 b/g/n WiFi,touch screen,Bluetooth,300K camera,microphone, DVD-COMBO, RoHS

Note: WiFi 802.11 draft N is upgradable.

ISMM Support Functions

	Voltage	Fan	Smart Fan	Temperature	WDT
AFL-17A(B)-915	V	V	V	V	V
AFL-17B-AM2	V	V	V	V	V
AFL-17C-9652	V	V	V	V	V
AFL-17D-N270	V			V	V
AFL-17D-GM45	V	V	V	V	V

Packing List

Item	Part Number	Q'ty	Specification
Screws Pack	44013-030041-RS	4	M3;5mm
Power Adpater	63000-FSP0841ADC11118-RS 63000-FSP096AHB-RS 63000-FSP150AHA312-RS	1	90~264V AC; 12V DC; 84W (17A-915, 17D-N270) 90~264V AC; 12V DC; 96W (17B-915, 17C-9652) 90~264V AC; 12V DC; 150W (17B-AM2, 17D-GM45)
Power Cord	32000-000002-RS	1	1750mm; European Standard
Utilities CD	7B000-000087-RS	1	
Touch Pen	XTR104-0002-RS	1	

Options

Model	AFL-17D-N270	AFL-17A-915	AFL-17B-915	AFL-17C-9652	AFL-17B-AM2	AFL-17D-GM45
Panel mounting kit	AFLPK-17D	AFLPK-17		AFLPK-17B		AFLPK-17D
Wall mounting kit				AFLWK-19		
Rack mounting kit	AFLRK-17D	AFLRK-17		AFLRK-17B		AFLRK-17D
ARM				ARM-11-RS / ARM-31-RS		
Stand				STAND-A19, STAND-B19, STAND-210-RS		
OS: Win CE 5.0 (128 MB CF card)	N/A	AFLCF-17-915-CE-R11		N/A		N/A
OS: Win CE 6.0 (128 MB CF card)	AFLCF-17-N270-CE060-R10	AFLCF-17-915-CE060-R11		N/A		N/A
OS: Win XPE (1 GB CF card)	AFLCF-17-N270-XPE-R10	AFLCF-17-915-XPE-R11		AFLCF-17-9652-XPE	AFLCF-17-690-XPE	AFLCF-17-GM45-XPE-R10
OS: LINUX (2 GB CF card)	AFLCF-17-N270-LNX-R10	AFLCF-17-915-LNX-R10		AFLCF-17-9652-LNX-R10	AFLCF-17-690-LNX-R10	AFLCF-17-GM45-LNX-R10
Hybrid Card Reader	N/A	AFLP-17AMSI-U		AFLP-17BMSI-U		N/A
Magnetic Stripe Reader	N/A	AFLP-17AMSR-U		AFLP-17BMSR-U		N/A
DC 12V Input UPS	AUPS-B10-R10 (VESA 100, DC 12V input, 12V output 100W UPS module with 3800mAH)				N/A	AUPS-B10-R10
DC 9~36V Input UPS	AUPS-B20-R10 (VESA 100, DC 9~36V input, 12V output 100W UPS module with 3800mAH)				N/A	AUPS-B20-R10

Note: Win CE application without digital microphone function



Distributed by:

i-Tech Company LLC

TOLL FREE: (888) 483-2418 • EMAIL: info@i-techcompany.com • WEB: www.i-techcompany.com