

1U Rack mount 19" TFT LCD monitor keyboard drawer / KVM switch

RKP 119, RKP119-801 RKP119-1601

Features:

- **Unique mechanical design** to maximize rack mountable space
- Black anodized aluminum front panel
- **Adjustable mounting brackets** from 15.4" to 31.1" (390 to 790 mm) (front to rear 19" mounts). Suitable for 30" to 39.4"(750 to 1000mm) deep 19" cabinet
- Keyboard with GlidePoint touch pad mouse
- **Built-in on screen display controlled** by integral membrane switches
- Standard D-sub 15-pin VGA input connector
- Supplied with 12V 5A remote power adapter
- All mounting hardware included



With KVM Features only:

- **Multi-platform**-mix PCs, SUNs, IBMs, HPs, Compaq & DELL
- **Support 8 characters password protection** & search PC server name
- **Cascades for use with up to 128 servers**
- New keep alive feature safeguards server for power loss to the switch
- **Built-in microprocessor** emulation for each port boots up process
- **Auto scan-mode** for monitoring your servers at intervals 5 to 99s
- **Hot-pluggable** when adding or removing PC w/o powering down the switch
- Name you server up to **16 characters long**
- Supplied w/12V 1A remote power adapter(single power source)
- **Supplied with 8 screened cables 6ft long**
- **No software needed & all mounting hardware included**

Specification

Monitor

Panel:	19" LCD panel
Display type:	TFT / LCD active matrix color
Resolutions:	1280 x 1024
Response time:	Tr=15ms/ Tf=10ms
Contrast ratio:	500 : 1 typical
Brightness:	250 cd/m2 typical
Pixel pitch:	0.098mm (H) x 0.294mm (W)
Panel color:	16.7 million display colors
Viewing angle:	170o (Horiz.)/ 170 o (Vert.)
Storage temp.	-20o C to 65 o C
Operating temp.	0 o C to 50 o C
MTBF	20,000 hours
KVM	
Computer connectors:	8/16
Connector:	15-pin HDB type, Keyboard, mouse, all-in-1
Cascade level:	8
Max. access PCs:	128
Input VGA resolution:	1,920 x 1,440
Keyboard Selection	
1:	Notebook type keyboard with touch pad mouse
2:	Cherry keyboard with trackball

Power supply

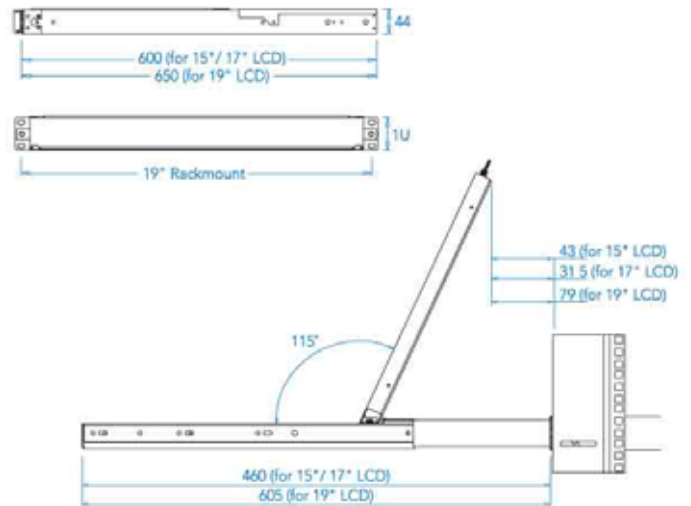
Remote adapter:	110V - 220V AC Input 12V 5A Output
Adapter Size:	4.3"(L) x 2.4" (W) x 1.2"(H) (108x61x30mm)
Cable length from mains plug to adapter:	6ft (182cm)
Cable length from adapter to unit:	6ft (180cm)
Safety approval:	UL, CE
Mains plug options available	

Product dimension--- 17.3"(W) x 1.75"(H) x 25.6"(D) (44.2x4.455x65cm)

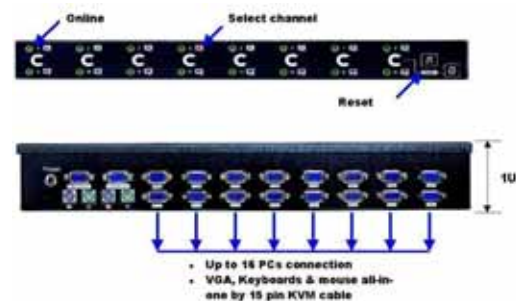
Packing dimension--- 33.0"(L) x 23.6"(W) x 7.1"(H) (84x60x18cm)

Weight

Model No	KVM	Net / Gross weight
RKP119	Non	37.4 lbs/ 40.6lbs (17kg/23kg)
RKP119-801	8 port	37.4 lbs/ 40.6lbs (17kg/23kg)
RJP119-1601	16 port	39.6lbs / 52.8lbs (18kg/24kg)



Unit : mm



- Up to 16 PCs connection
- VGA, Keyboards & mouse all-in-one by 15 pin KVM cable