

SK1 Series - 1U Rackmount keyboard drawer

- ▶ SUN-compatible keyboard incorporates SUN keys
- ▶ Direct compatible with SUN and USB server
- ▶ Color in black available



Features

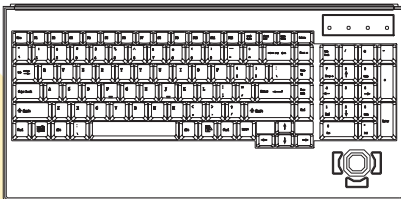
- 1U, standard 19" rackmount keyboard drawer
- 104-keys SUN-compatible keyboard w/ 3 button trackball supports SUN keys, including stop, Cut, Paste, Compose, etc.
- Adjustable mounting brackets compatible with SUN rack depths of 24 to 36 inch
- Lockable drawer to secure the keyboard & mouse
- Slide rails have fixed position to prevent movement of the keyboard
- All mounting hardware included
- Single and two console USB KVM options



Specifications

Keyboard

- USB connector
- 3 button with 15mm trackball mouse
- Incorporates SUN keys, including Stop, Cut, Paste, Compose, Copy, and Help
- US layout version only



SUN keys

3-button trackball

S SUN-compatible keyboard incorporates SUN keys

Optional built-in **USB** KVM

- Compatible with all USB-enable PC and SUN sever
- Direct support SUN Micro native resolution 1152 x 900

Note: See page 33 for full details

		8-Port	16-Port
Console	USB	✓	✓
Consoles	USB	✓	✓

KVM Cable

- 8 x 6ft USB cables supplied with the unit - 10ft and 15ft options available

Power

- Supplied with 12V 5A remote power adapter
(Two console model with additional 9 VDC adapter)

Dimension and diagram

Product dimension (W) x (D) x (H)

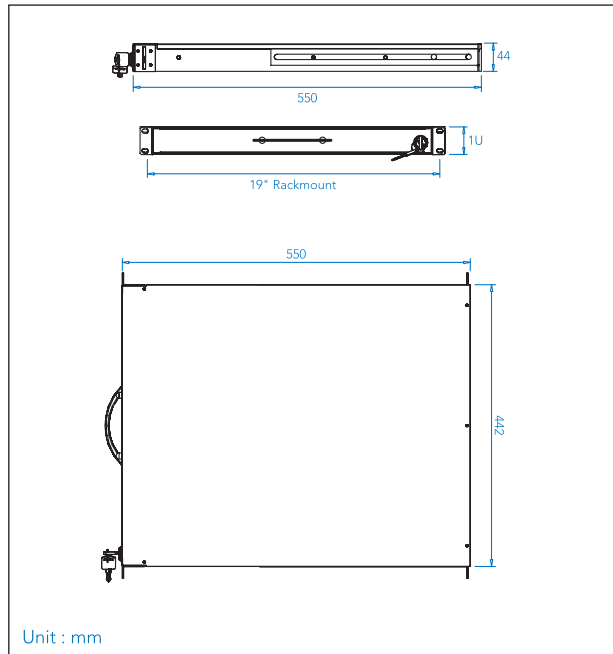
- 44.2 x 55 x 4.45 cm / 17.4 x 21.6 x 1.75 inch

Packing dimension (W) x (D) x (H)

- 60 x 71 x 18 cm / 23.6 x 27.9 x 7.1 inch

Net/gross weight

- Approximate 8 / 12kg



Ordering information

KVM Support		
NIL		SK1
Console	USB 8-port	SK-801
	USB 16-port	SK-1601
Consoles	USB 8-port	SK-802
	USB 16-port	SK-1602