

Front IP65 Marine Bridge Display Monitor



17" Marine Bridge Display Monitor 1280 x 1024 1000nits, HDMI, VGA, composite video, audio input, IEC60945 certificated Front hyper dimming knob control backlight brightness from nearly 0%-100% Internal Power Adapter , 100-240V AC Input + IR Touch Screen USB controller (Non IP rated Front) (Model: AMAR1700-IR)

Features:

- Front hyper dimming knob control backlight brightness from nearly 0%-100%.
- Rugged construction, Front bezel NEMA4 / IP65 compliant.
- Front hardness glass protect screen (AR glass & touch for optional).
- Front osd control buttons to optimized display.
- Build in 2x 2watts stereo speakers.
- Support PIP & POP function.
- Standard with HDMI, VGA, Composite Video, Audio input.
- Panel (Flush) mount with clips.
- Meet standard VESA mount and optional robust mounting bracket.
- IEC60945 certificated

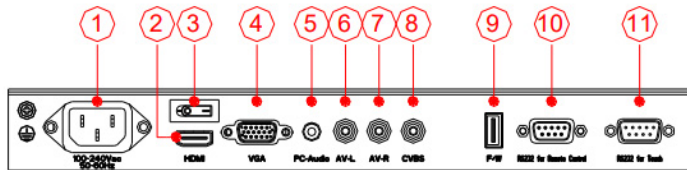
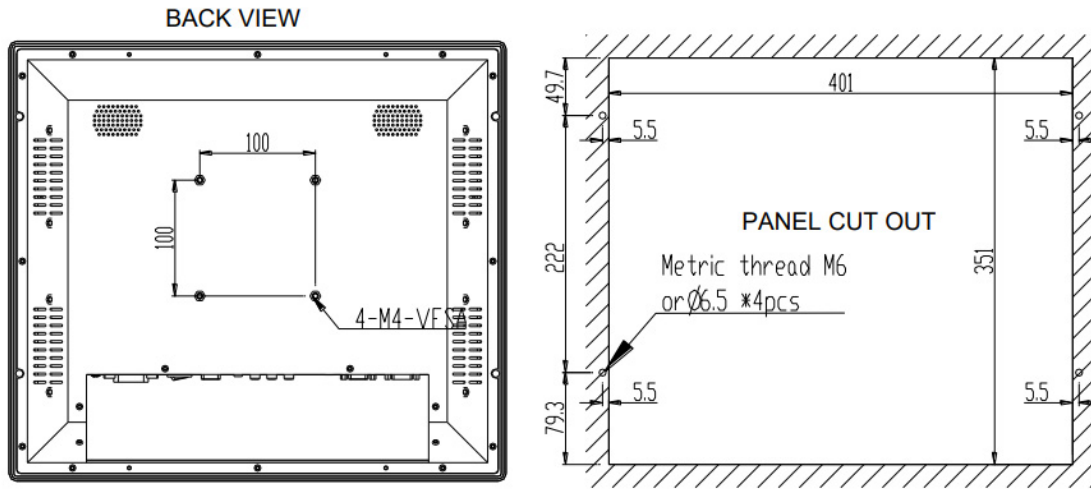
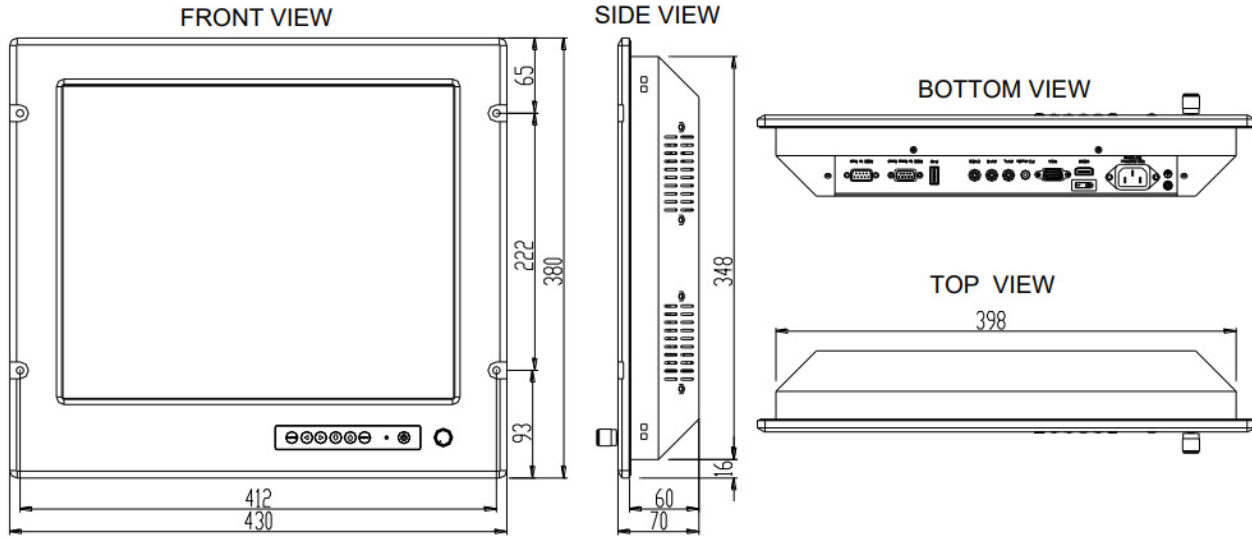
Specification:

TFT Characteristics	
Screen Size	17 inch TFT LCD
Backlight Type	LED
Resolution	1280x1024
Contrast Ratio	1000:1
Brightness (cd/m2)	1000
View Angles (H/V)	170/160
Max. Color	16.7M
MTBF (Hrs.)	50,000
Input Signals:	
HDMI Signal	HDMI
VGA Signal	D-SUB 15P connector (Female)
Composite Video	RCA Phono plug
Audio	3.5" jack
AC Power Input	Standard IEC Inlet
DC Power Input (option)	Screw Terminal Block
Touch Screen (option)	USB-A or D-SUB 9P connector (Female)
RS-232 Remote (option)	D-SUB 9P connector (Female)
User Controls	
Power On/Off via front buttons	
VR Brightness Knob adjustment	
Power Mode Status LED indicator	
On Screen Display control(OSD)	
OSD Remote Control via RS-232 (option)	

Power Specifications	
AC Power Input	Standard IEC Type power cord with Internal Power Adapter , 100-240V AC Input
DC Power Input (option)	Screw Type Terminal Block with internal isolate DC 12V/24V/48V/125V power module
Mechanical and Environmental	
IP Protect	Front IP65 Grade
Mounting	Panel (Flush) Mount, VESA Mount, Robust Bracket, Sun-visor Bracket
Construction	Aluminum Front Bezel + Metal Housing
Operating Temperature	0 - 50 deg. C
Operating Humidity	5% - 95% (non -condensing)
Anti-Vibration	5 - 500 Hz / 1 Grms PTP
Anti-Shock	15G / Peak (11 ms)
Physical Dimension (WxHxD)	430 x 380 x 70mm
Packing Dimension (WxHxD)	560 x 510 x 220mm
Net Weight / Gross Weight	8.5 / 11 KGs
Certification and Approvals	CE / FCC / RoHs / IEC60945
Available Options	
Touch Screen	Resistive, Capacitive, SAW, IR Touch
AR Hardness Glass	3mm Anti-Reflective Protect Glass
DC Power	Isolate 12V/24V/48V/125V DC Power
SR-BKT	Stand & Roof Mounting Bracket
RT-BKT	Rotary Plate Robust Bracket
SV-BKT	Sun-Visor Bracket



Mechanical Drawing:



- 1 . AC Inlet
- 2 . HDMI
- 3 . Power sw
- 4 . VGA
- 5 . PC-Audio
- 6 . AV-L
- 7 . AV-R
- 8 . CVBS
- 9 . F/W
- 10 . RS232 for Remote control
- 11 . RS232 for Touch