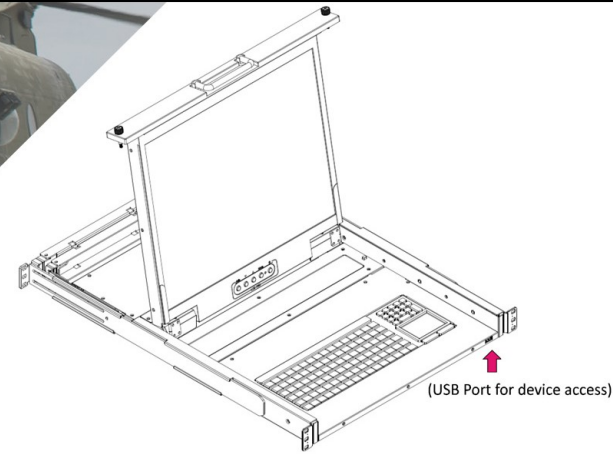


Military Rugged Rackmount LCD Drawer

1U 17" Rackmount Rugged LCD Keyboard drawer 1280 x 1024, 350nits, Durable 104-key waterproof keyboard, Front EMC glass, DC 9-36VDC input, Short Depth 15"/380mm Deep

Video input: VGA+DVI
 Operation temp: -20 to 70C
 Storage temp: -30 to 80C
 Humidity: 10% - 90%, non-condensing
 Shock: 10G acceleration (11ms duration)
 Vibration: 17 to 500Hz 1G PTP

Model: AMil-1700-EMI

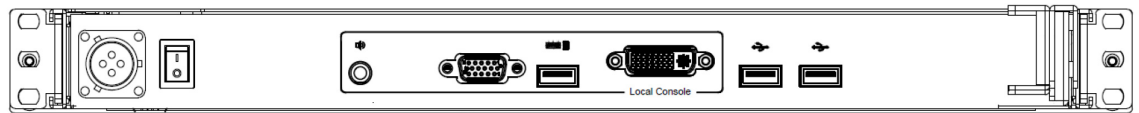


FEATURES

- Meet MIL-STD-810F/G standard
- 1U 17" or 19" LCD Console Drawer, wide operation temperature support 1280 x 1024 resolution
- DVI & VGA Port
- Front 1x USB, Rear 2x USB 2.0 Type A, Sharing USB peripheral Device for computer (ex, flash disk, hard driver, KB/Mouse)
- Sealed 104-keys IP65 silicone keyboard and touchpad with backlight
- MIL connector for power input
- Support USB 2.0 Keyboard & Mouse
- Self-locking and auto release rails for ultra convenience

Option

- DC 9~36V power input
- High brightness LCD panel, up to 1000 nits
- Front AR or EMC glass protect screen
- Touch screen



SPECIFICATIONS

Direct no. of Computers		1
LCD	Size	17"
	Backlight	LED
	Resolution	1280x1024
	Max. color	16.7M
	Luminance	350cd/m2
	View Angel (H/V)	170 / 160
	Contrast Ratio	1000 : 1
USB HUB	1x Front , 2xRear USB 2.0 Type A for Peripheral USB Device	
Touch Screen	Yes, for option	
KB/Mouse Emulation	USB	
Power	100-240V AC 50/60Hz via 4 pins lock connector	
Environment (MIL-STD-810G)	Operation temp: -20 to 70°C	(MIL-STD-810, Method 501.5 & 502.5)
	Storage temp: -30 to 80°C	(MIL-STD-810, Method 501.5 & 502.5)
	Humidity: 5% - 95%, non-condensing	(MIL-STD-810, Method 507.5)
	Shock/Vibration: Procedure VI, 50G @ 11ms	(MIL-STD-810, Method 516.6)
	Altitude: 10,000 ft Operational, 30,000 ft Storage	(MIL-STD-810, Method 500.5)
Physical Dimensions / Net Weights		
Packing Dimensions / Gross weights		
Accessory		
1 x 1.8 Power Cord with lock connector, 1.8 meter DVI-D Cable, 1.8 meter VGA Cable , 1.8 meter USB Cable , 1.8 meter Audio Cable (each one)		