

AODFPC Series

Multi-Purpose & Water-Proof Panel PC

IP-65, 8.4" Multi-Purpose & Water-Proof Panel PC with Intel Celeron M Processor
 Model: AODFPC840A1-CM-TR



Features

- Onboard Intel® Ultra Low Voltage Celeron® M Processor
- 8.4" SVGA Color TFT LCD
- Water-Proof Sealing: IP-65 Certified
- High Brightness Display-650 Nits (Optional)
- Windows® XP Embedded Support
- Day And Night Mode Display
- Ideal For Vehicle Application
- Supports Wireless LAN With Dual Internal Antennas (Optional)
- Water-Proof I/O Connector (IP-67 Rating)



Specifications

System	
Processor	Intel® ULV Celeron® M 1.0 GHz
System Memory	DDR SODIMM x 1, Max. 1 GB
LCD/CRT Controller	Intel® 852GM
Ethernet	10/100Base-TX, RJ-45 x 1 (optional)
I/O Port	RS-232 x 1, RS-232/422/485 x 1 USB2.0 x 2 Line out x 1 (optional) 10/100 Base-TX, RJ-45 x 1 (optional)
Storage Disk	CompactFlash™ Drive (internal slot)
Expansion Slot	Mini PCI Slot x 1 (internal)
OS Support	Windows® XP Embedded
Mechanical	
Construction	Sealed Aluminum Alloy Chassis
Color	Silver Gray
Mounting	VESA 75mm
Dimension	10.5" x 7.6" x 2.4" (266mm x 192mm x 59.8mm)
Gross Weight	8.8 lb (4 kg)
Net Weight	6.6 lb (3 kg)
Environmental	
Operating Temperature	-4°F ~ 122°F (-20°C ~ 50°C)
Storage Temperature	-22°F ~ 158°F (-30°C ~ 70°C)
Storage Humidity	10 to 90%@ 400C, non-condensing
Vibration	3G Random Operation, 5~500Hz
Shock	30G peak acceleration (11 msec. duration) / operation
Safety	All sides of IP-65 certified
EMC	CE/FCC Class A
Power Supply	
DC-DC Input, 90W	Input Range: 9V ~ 30V DC
LCD	
Display Type	8.4" TFT-LCD
Max. Resolution	800 x 600
Max. Color	262K colors
Dot Size	0.213 x 0.213
Luminance (Typical)	450 nits
View Angle	150°(H)/150°(V)
Back Light MTBF (Hours)	50,000

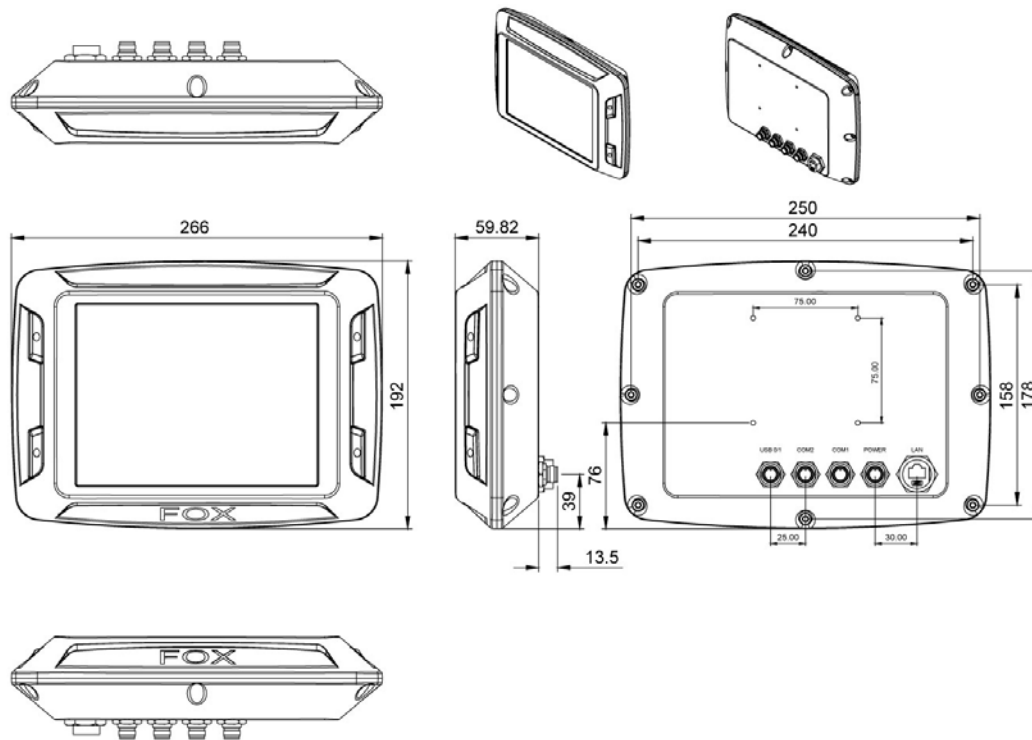


Touchscreen	
Type	4- wire, Low Reflection Analog Resistive (FOX-80STT) 4- wire, Analog Resistive (FOX-80HTT)
Resolution	2048 x 2048
Light Transmission	> 76% (FOX-80STT) > 80% (FOX-80HTT)
Lifetime	10 million activations (FOX-80HTT) 2 million activations (FOX-80STT)



AODFPC Series

Dimensions



Optional Accessories

- **9761F08000**
Wireless LAN Kits with Internal Antenna
- **968C204859**
2 GB Wide Temperature CompactFlash™ Drive
- **968C409654**
4 GB Wide Temperature CompactFlash™ Drive
- **968C819215**
8 GB Wide Temperature CompactFlash™ Drive
- **968C016G06**
16 GB Wide Temperature CompactFlash™ Drive
- **1757910004**
AC Aapter
- **1702031802**
Power Cord (US Type) for AC Adapter
- **1702031803**
Power Cord (European Type) for AC Adapter
- **170203180E**
Power Cord (Japanese Type) for AC Adapter