

# 6U Rackmount LCD Monitor

6U 17.3" WIDE FHD LCD Rack Mount Industrial Monitor  
DVI-D, VGA, audio input 2x 2watts stereo speakers

Model: ANP617HD



## FEATURES:

- Compact 19 inch rack mountable with 6U height
- 17.3" Widescreen LCD Panel
- 1920 x 1200 WUXGA Ultra high resolution
- Support FHD with 1080p resolution
- DVI-D, VGA, Audio input
- 90 °tilt adjustment while mounted in rack: 45° ~ -45° (V)
- Heavy duty steel chassis with hardness glass protect screen
- Front OSD control buttons to optimized display
- Build in 2x 2watts stereo speakers

## OPTION:

- Composite video input
- HDMI or Display port input
- 3G / HD / SD-SDI broadcast grade input
- DC 9~36 V power input
- AR Hardness glass
- Touch screen

## SPECIFICATIONS

LCD CHARACTERISTICS	
Screen Size	17.3 inch widescreen
Backlight Type	LED
Resolution	1280 x 1080 (up to 1920 x 1200)
Contrast Ratio	400:1
Brightness ( cd/m2 )	300
View Angles ( H/V )	140/120
Pixel Size ( HxV ) mm	0.1989x0.1989
Max. Color	262K
MTBF ( Hrs. )	10,000

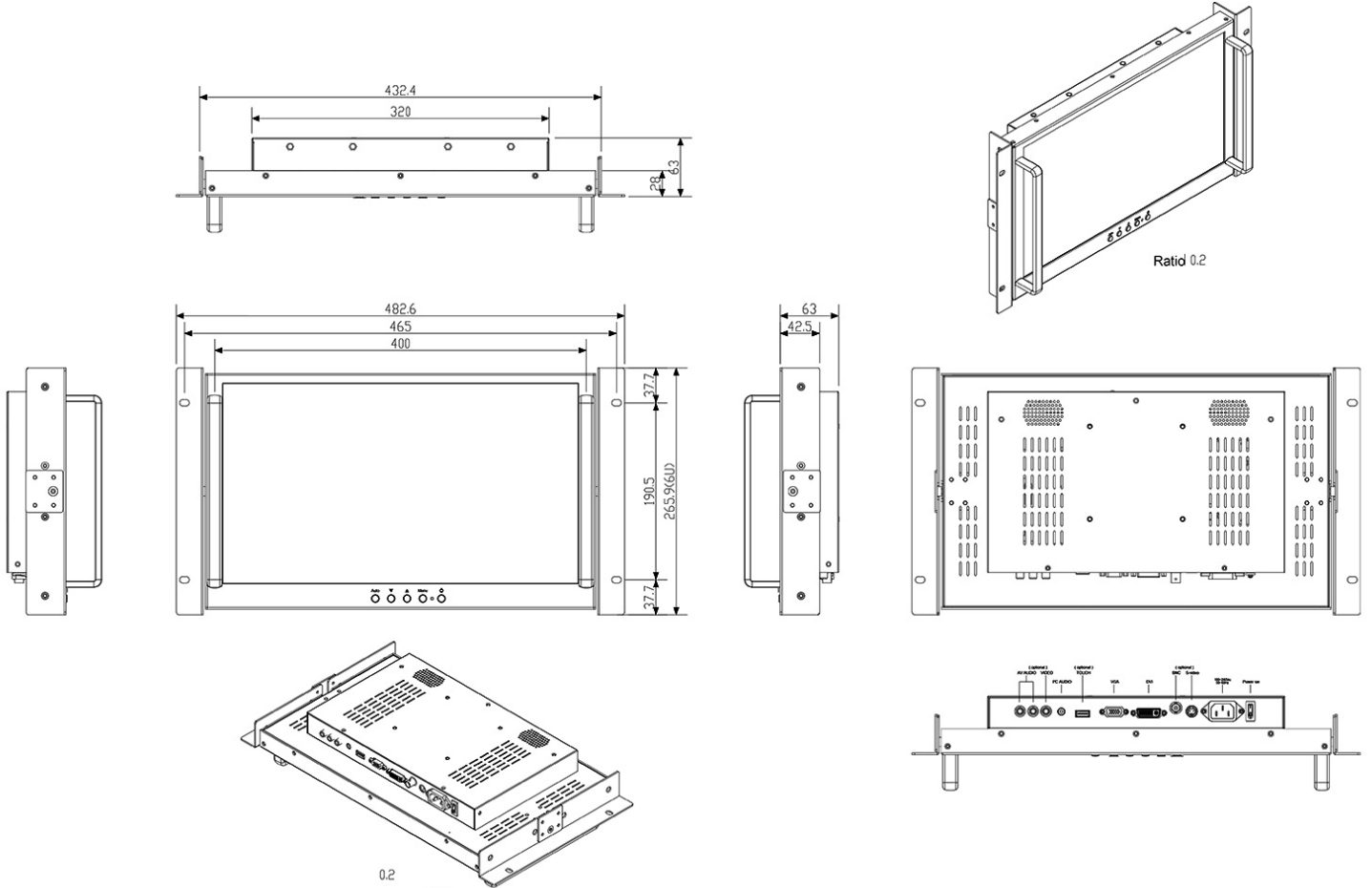
INPUT SIGNALS	
DVI-D	DVI-D 24Pin Connector (Female)
VGA	D-SUB 15Pin Connector (Female)
Audio	3.5" Jack
Power Input	Standard IEC Inlet
Touch-USB ( option )	USB A Type connector
Touch-RS232 ( option )	D-SUB 9P connector ( Female )

POWER SPECIFICATIONS	
AC Power Input	Standard IEC Type Power Cord with Internal Power adapter, 100-240V AC Input
Wide Range DC PowerInput ( option )	Screw Type Terminal Block with internal wide Range DC 9-36V power module

USER CONTROL INTERFACE	
Power ON / OFF via Front Button	
Power Mode Status LED indicator	
OSD ( On Screen Display ) Buttons	

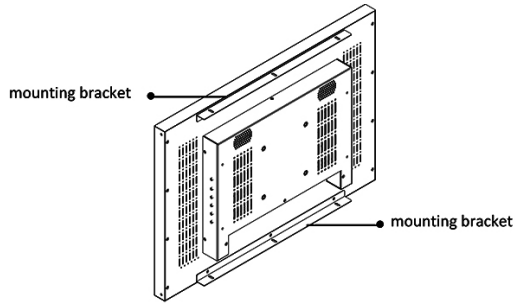
MECHANICAL AND ENVIRONMENT	
Height	6U
IP Protect	N/A
Mounting	VESA Mount and Rack Mount
Construction	Metal Housing
Operating Temperature	0 - 50 deg. C
Operating Humidity	5% - 95% ( non -condensing )
Anti-Vibration	5 - 500 Hz / 1 Grms PTP
Anti-Shock	15G / Peak ( 11 ms )
Physical Dimension (WxHxD)	482 x 266x 63 (mm)
Packing Dimension (WxHxD)	620 x 400 x 210 (mm)
Net Weight / Gross Weight	7 / 9 (KGs)
Certification and Approvals	CE / FCC / RoHS

# DRAWINGS



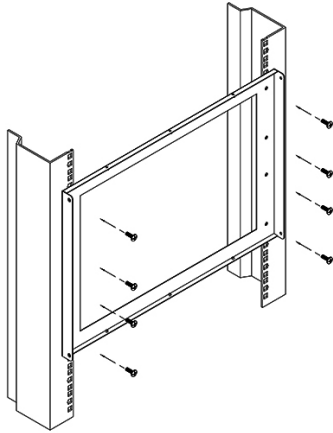
- NOTE:
1. MATERIAL:
  2. ALL BURRS MUST BE FILLETED TO <0.05mm
  3. FINISH: COATING (SPEC. SEE SAMPLE)
  4. TOLERANCE UNLESS OTHERWISE SPEC. SEE TOLERANCE TABLE

## INSTALLATION GUIDE



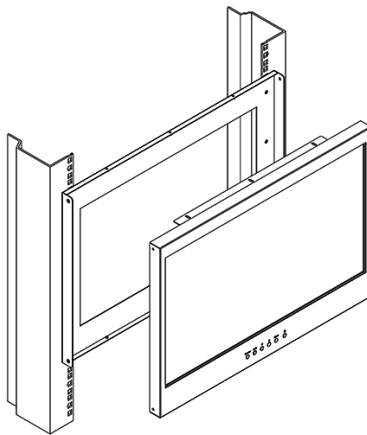
### Step 1

- Screw 2 x mounting bracket on the LCD panel



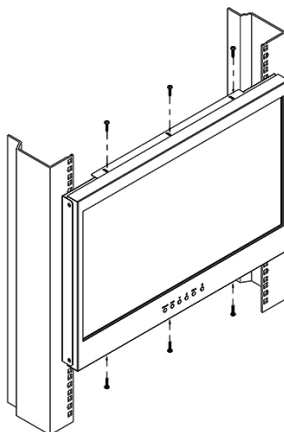
### step 2

- mount the rear bracket with M6 screw set.
- 8 x M6 screw set are required
- **M6 screw sets are not provided**



### step 3

- Insert the display panel into the rear bracket.

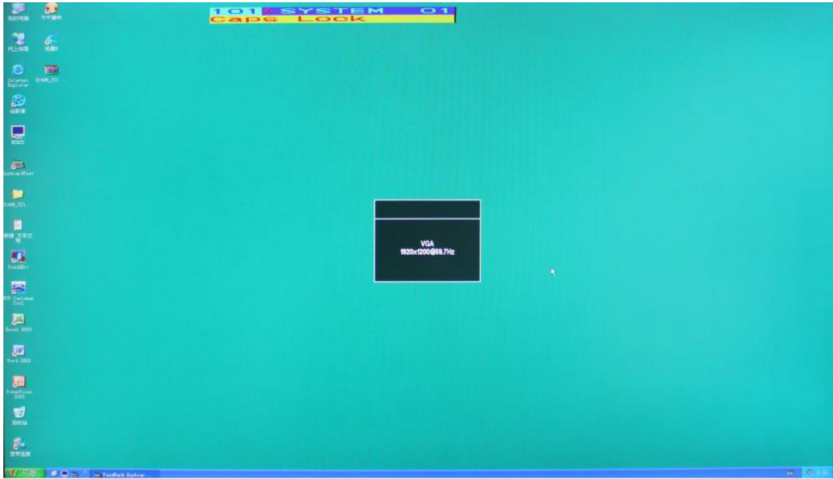


### step 4

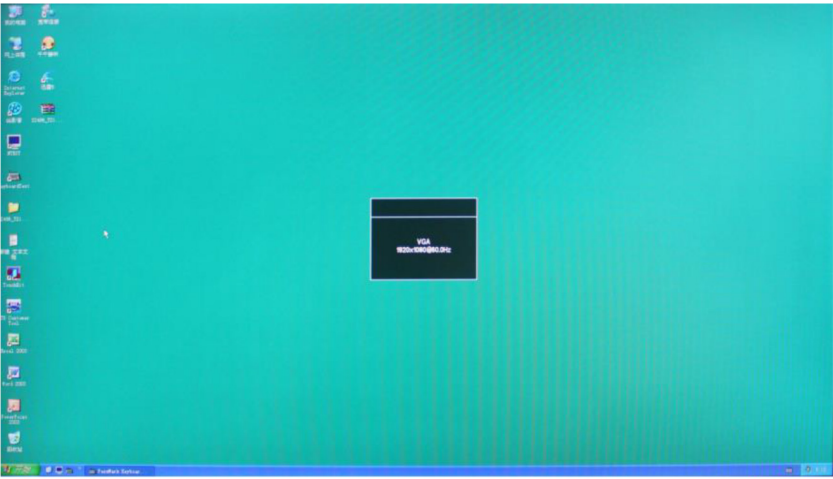
- Fix the display panel into the rear bracket with 6 x screws

# DISPLAY PRESENT ON DIFFERENT SOLUTION

Resolution 1920 x 1200



Resolution 1920 x 1080



Resolution 1600 x 1200

