

# 8U Rackmount LCD Monitor

8U 21.5" 1920 x 1080 WIDE FHD LCD Rack Mount  
Industrial Monitor DVI-D, VGA, audio input  
2x 2watts stereo speakers with Resistive Touch Screen

Model: ANP8215-TR



## FEATURES:

- Compact 19 inch rack mountable with 8U height
- 21.5" widescreen LCD panel
- 1920 x 1200 WUXGA Ultra high resolution
- Support FHD with 1080p resolution
- DVI-D, VGA, Audio input
- Heavy duty steel chassis with hardness glass protect screen
- Front OSD control buttons to optimized display
- Build in 2x 2watts stereo speakers

## OPTION:

- Composite video input
- HDMI or Display port input
- 3G / HD / SD-SDI broadcast grade input
- DC 9~36 V power input
- AR Hardness glass
- Touch screen

## SPECIFICATIONS

LCD CHARACTERISTICS	
Screen Size	21.5 inch widescreen
Backlight Type	LED
Resolution	1920 x 1080 (up to 1920 x 1200)
Contrast Ratio	3000:1
Brightness ( cd/m2 )	250
View Angles ( H/V )	178/168
Pixel Size ( HxV ) mm	0.24825x0. 24825
Max. Color	16.7M
MTBF ( Hrs. )	50,000

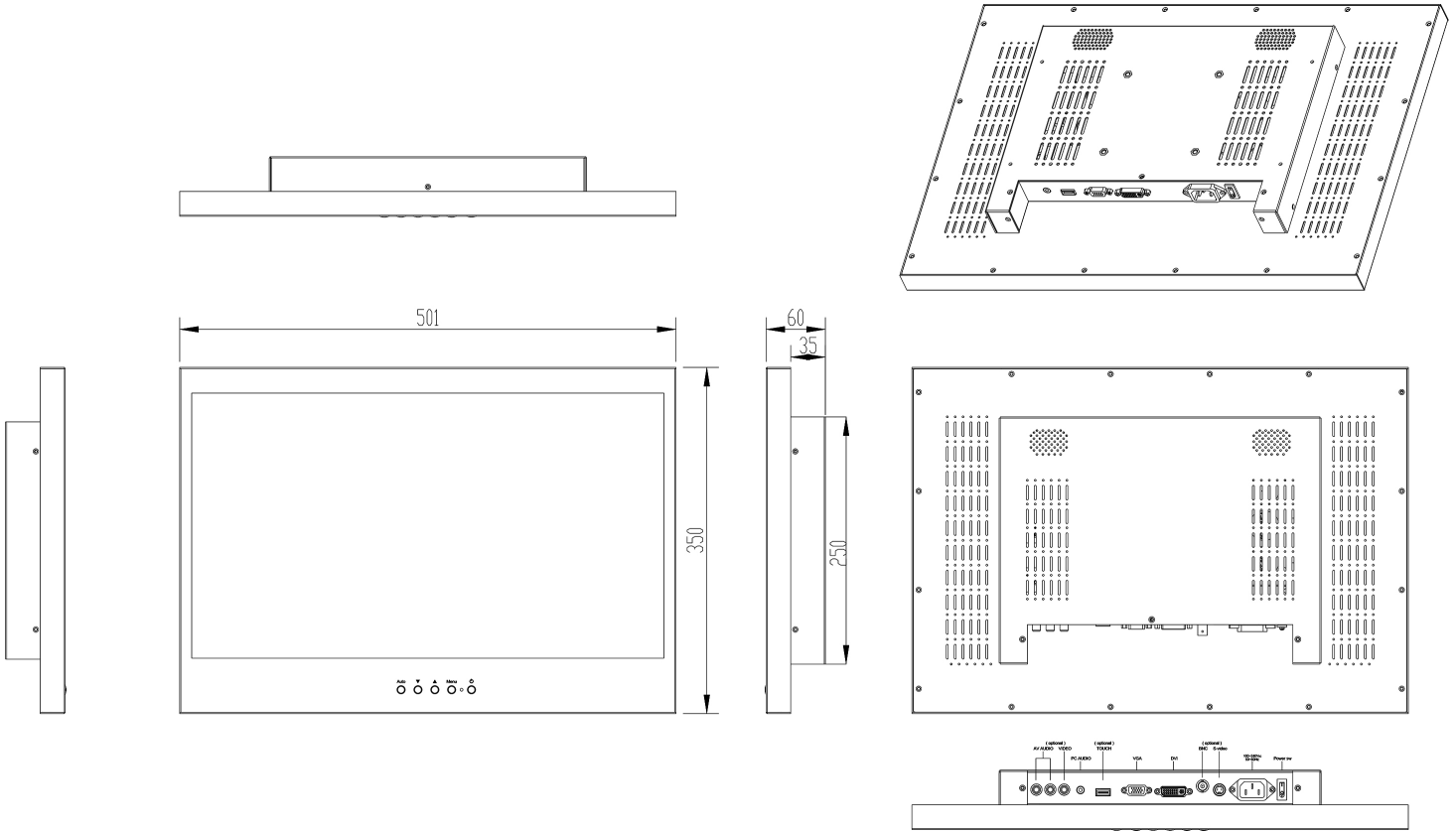
INPUT SIGNALS	
DVI-D	DVI-D 24Pin Connector (Female)
VGA	D-SUB 15Pin Connector (Female)
Audio	3.5" Jack
Power Input	Standard IEC Inlet
Touch-USB ( option )	USB A Type connector
Touch-RS232 ( option )	D-SUB 9P connector ( Female )

POWER SPECIFICATIONS	
AC Power Input	Standard IEC Type Power Cord with Internal Power adapter, 100-240V AC Input
Wide Range DC PowerInput ( option )	Screw Type Terminal Block with internal wide Range DC 9-36V power module

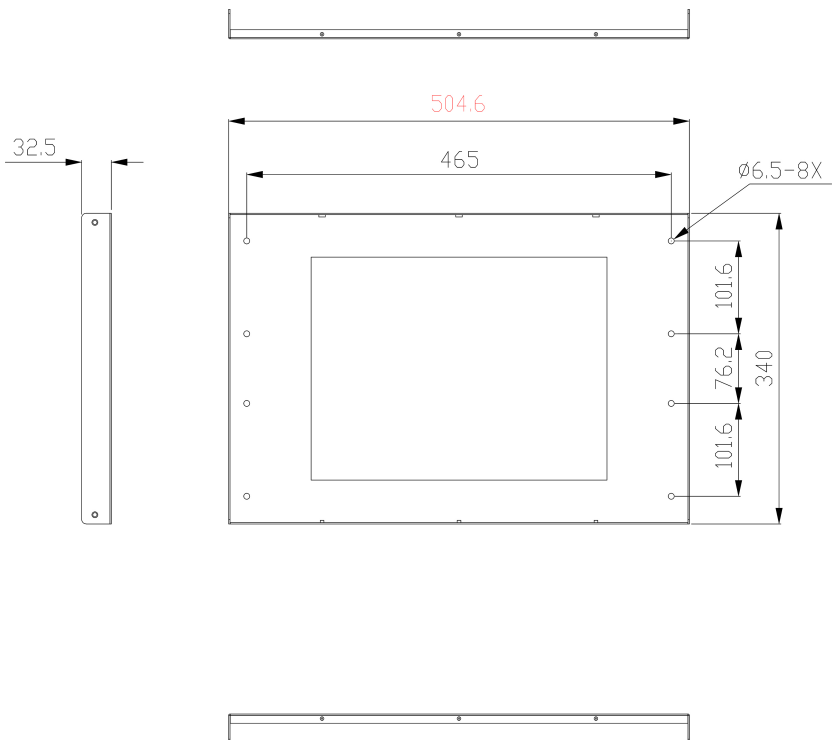
USER CONTROL INTERFACE	
Power ON / OFF via Front Button	
Power Mode Status LED indicator	
OSD ( On Screen Display ) Buttons	

MECHANICAL AND ENVIRONMENT	
Height	8U
IP Protect	N/A
Mounting	VESA Mount and Rack Mount
Construction	Metal Housing
Operating Temperature	0 - 50 deg. C
Operating Humidity	5% - 95% ( non -condensing )
Anti-Vibration	5 - 500 Hz / 1 Grms PTP
Anti-Shock	15G / Peak ( 11 ms )
Physical Dimension (WxHxD)	501 x 350x 60 (mm)
Packing Dimension (WxHxD)	620 x 480 x 210 (mm)
Net Weight / Gross Weight	9.5 / 12 (KGs)
Certification and Approvals	CE / FCC / RoHS

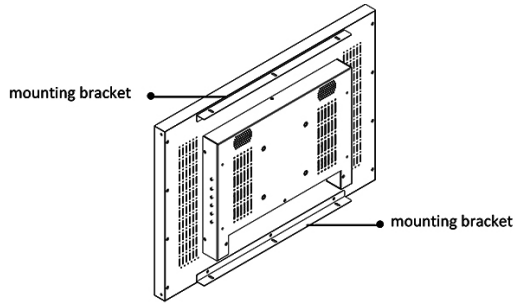
## DRAWINGS



## MOUNTING BRACKET DRAWINGS

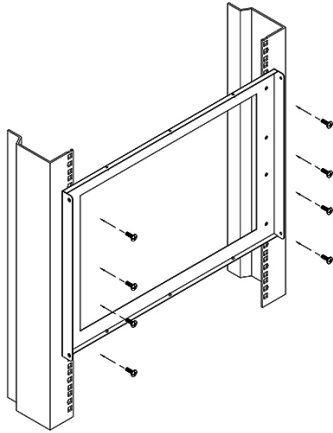


## INSTALLATION GUIDE



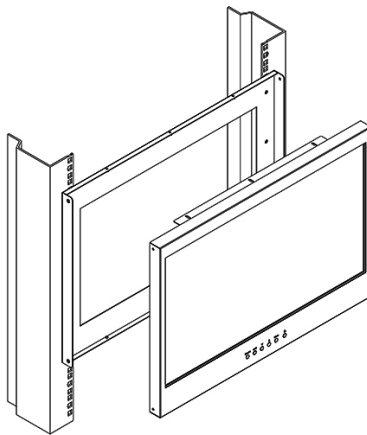
### Step 1

- Screw 2 x mounting bracket on the LCD panel



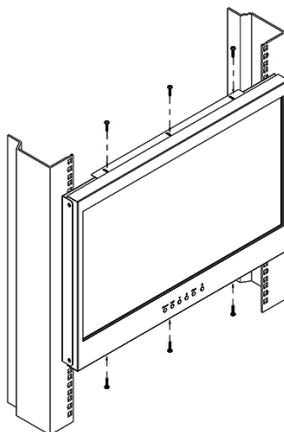
### step 2

- mount the rear bracket with M6 screw set.
- 8 x M6 screw set are required
- **M6 screw sets are not provided**



### step 3

- Insert the display panel into the rear bracket.

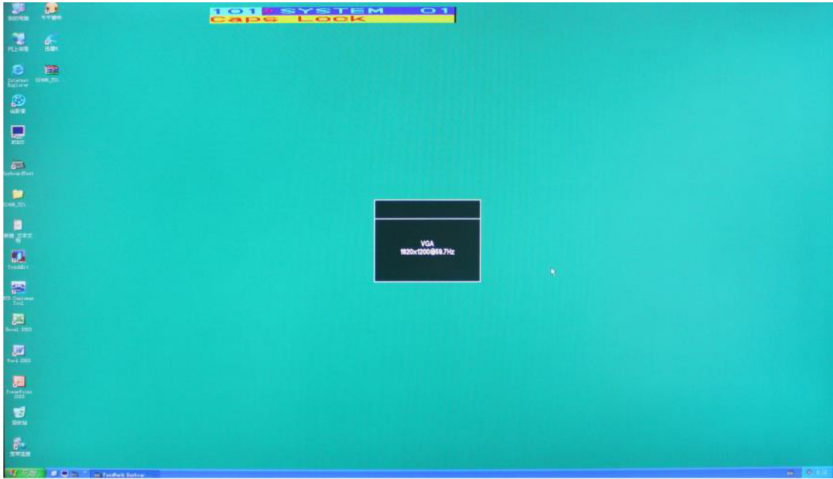


### step 4

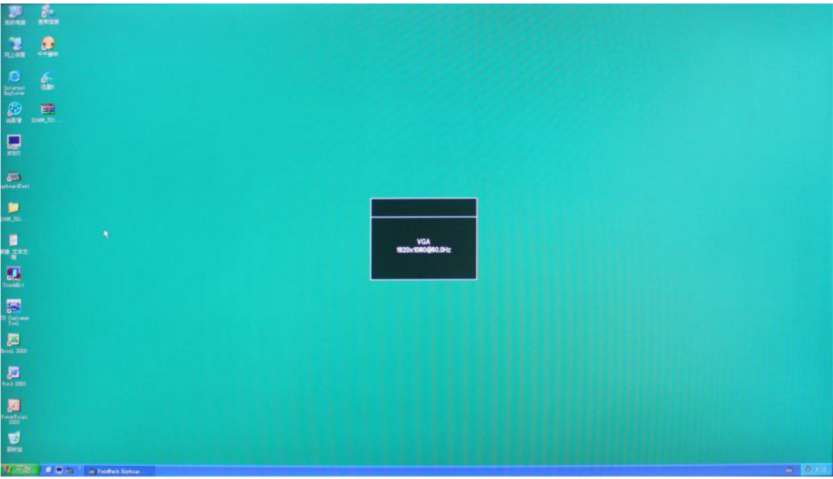
- Fix the display panel into the rear bracket with 6 x screws

DISPLAY PRESENT ON DIFFERENT SOLUTION

Resolution 1920 x 1200



Resolution 1920 x 1080



Resolution 1600 x 1200

