

FANLESS EXPANSION BOX PC

Fanless Box PC, Intel Core i3-6100U CPU, 1 x DDR4 slot, mini-PCIe Slot Full Size
9~36VDC power input with adaptor, Steel Chassis with Aluminum Heatsink
i3-6100U upgrade to i5-6300U

Model: APC2300-i3



FEATURES:

- 6th Gen. Intel Core i3 CPU built-in
- Fanless Design
- 8GB DDR4 2133/2400/2666/3200 SO-DIMM
- Wide range DC 9~36V power input
- TS256GSSD452K 256GB 2.5" SSD452K, SATA3, 3D TLC, Aluminum case
- Windows 10 IoT Enterprise 2021 LTSC Value PKEA

SPECIFICATIONS:

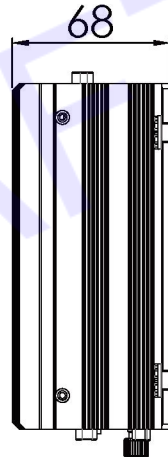
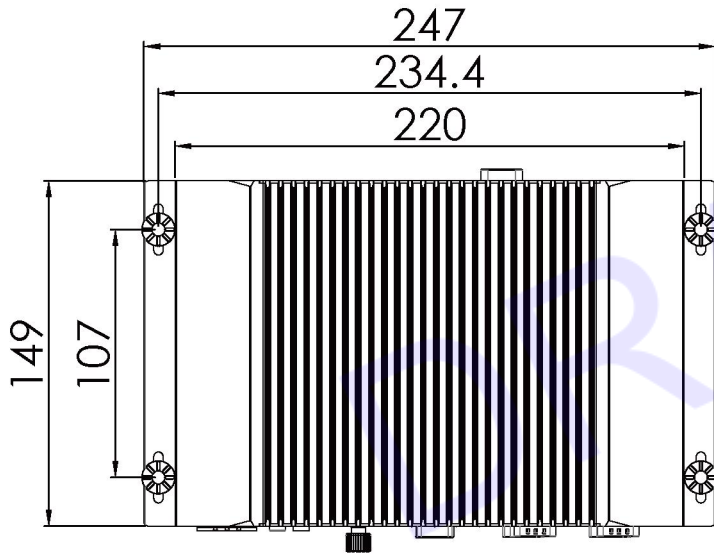
SYSTEM	
Processor	6th Gen. Intel Core™ i3-6100U 2.30GHz CPU onboard
System Chipset	SoC
System Memory	1 x 260-pin DDR4 SO-DIMM up to 16GB 2133MHz FSB
OUTSIDE IO PORT	
USB	2 x USB 3.0 type A, 4 x USB 2.0 type A
Serial/Parallel	1 x RS-232/422/485 DB-9, Default RS-232, COM1 1 x RS-232 DB-9, COM2
Audio	1 x Line-out
LAN	2 x GbE LAN RJ-45
Display Interface	1 x VGA, 1 x HDMI
Power	1 x 3-pin DC power input terminal, 1 x power button
STORAGE	
Storage	1 x 2.5" SATA3 HDD bay (easy accessible)
EXPANSION	
On Board Expansion Bus	1 x Mini PCIe slot full size
POWER	
Power Input	DC 9~36V
power Consumption	MAX: 24W
MECHANICAL	
Construction	Plating titanium gray aluminum heatsink and black steel chassis
IP Rating	IP30
Mounting	Wall Mount
Dimension	247 x 149 x 68 mm
Net weight(kgs)	2.5 Kg
ENVIRONMENTAL	
Operating Temperature	-20~60°C
Storage Temperature	-30~70 °C
Storage Humidity	10~90% @40 °C non-condensing
Certificate	CE / FCC Class A
OPERATING SYSTEM SUPPORT	
Windows 7 Pro for Embedded, Windows Embedded Standard 7, Windows Embedded 8.1 Industry Pro, Windows Embedded 8 Standard, Windows 10 IOT 2016	

**Specifications subject to change without notice, not responsible for typographical errors.*

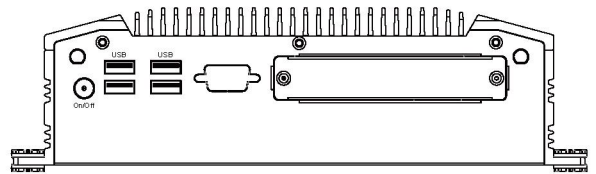
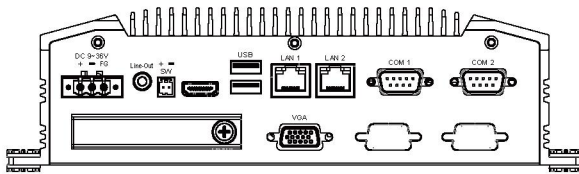
Modified Date: 03-21-2023

MECHANICAL DRAWING:

This is subject to change without Notice. Final Drawings Will be Provided for Approval after Order.



UNIT: mm
Tolerance: ±0.5



Drawing No.: APC2300-i3-03212023-V1