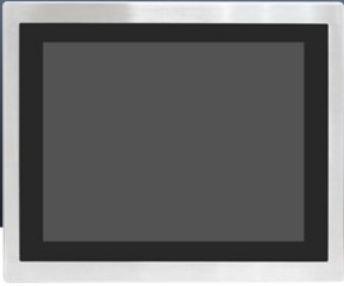


# INDUSTRIAL FANLESS PANEL PC

15.6" FHD IP65 Intel Celeron N2930 1.8G CPU fan less panel PC, 8GB DDR3L memory on board, 1 x 128GB 2.5" MLC SSD, 1x 64GB mSATA GMLC SSD Projected Capacitive Touch, DC9~36V Power Input, 316 Stainless Steel Enclosure, Support VESA Mount, WT-20~60C

ACCESSORIES : 1x M12 for 2x USB2.0 Cable, 2x M12 LAN cable, 1x M12 COM Cable, 1x VGA Cable, 1x 3pin power input cable (w/o Adapter)



## MODEL: APCW156N2-UL-PCAP

### FEATURES:

- 15.6" TFT-LCD
- Intel Celeron Processor N2930
- SUS 316 Stainless Steel
- Total IP66 Grade with M12 Waterproof Connector
- Variety of IO applications
- Wide range DC 9~36V Power Input
- Support Panel Mount & VESA Mount
- Support Projected Capacitive Touch
- Full Flat Bezel and Fanless Design
- ATEX/IECEX Zone2, Zone22 and C1D2/C2D2/C3 Certified
- Windows 10 IoT Enterprise 2021 LTSC Entry EPKEA
- 15.6"/Optical Bonding
- Power Adapter
- Power Cable



### SPECIFICATION:

SYSTEM	
CPU	Onboard Intel Celeron N2930 Processor (2M Cache,1.83GHz)
System Memory	SoC
System Chipset	Onboard 8GB DDR3L 1333MHz
IO Port	
USB	1 x M12 8-pin for 2 x USB 2.0 with waterproof cover and chain
Serial/Parallel	1 x M12 8-pin for COM1, RS-232/422/485, default RS-232, with waterproof cover and chain
Graph	1 x M12 8-pin for VGA with waterproof cover and chain
LAN	2 x M12 8-pin for LAN with waterproof cover and chain
Power	1 x M12 3-pin for DC power connector with waterproof cover and chain
Storage Space	
HDD	1 x 2.5" HDD or SSD space 1 x mSATA space
Movable device	1 x Internal SD Card
Expansion	
On board expansion bus	1 x Mini-PCIe (full size)

Display	
Display Type	15.6" TFT-LCD
Max. Resolution	1920x1080
Max. Color	16.2M
Brightness	400
View Angle	160(H)/140(V)
Contrast Ratio	700:1
Backlight Lifetime	50,000 hrs

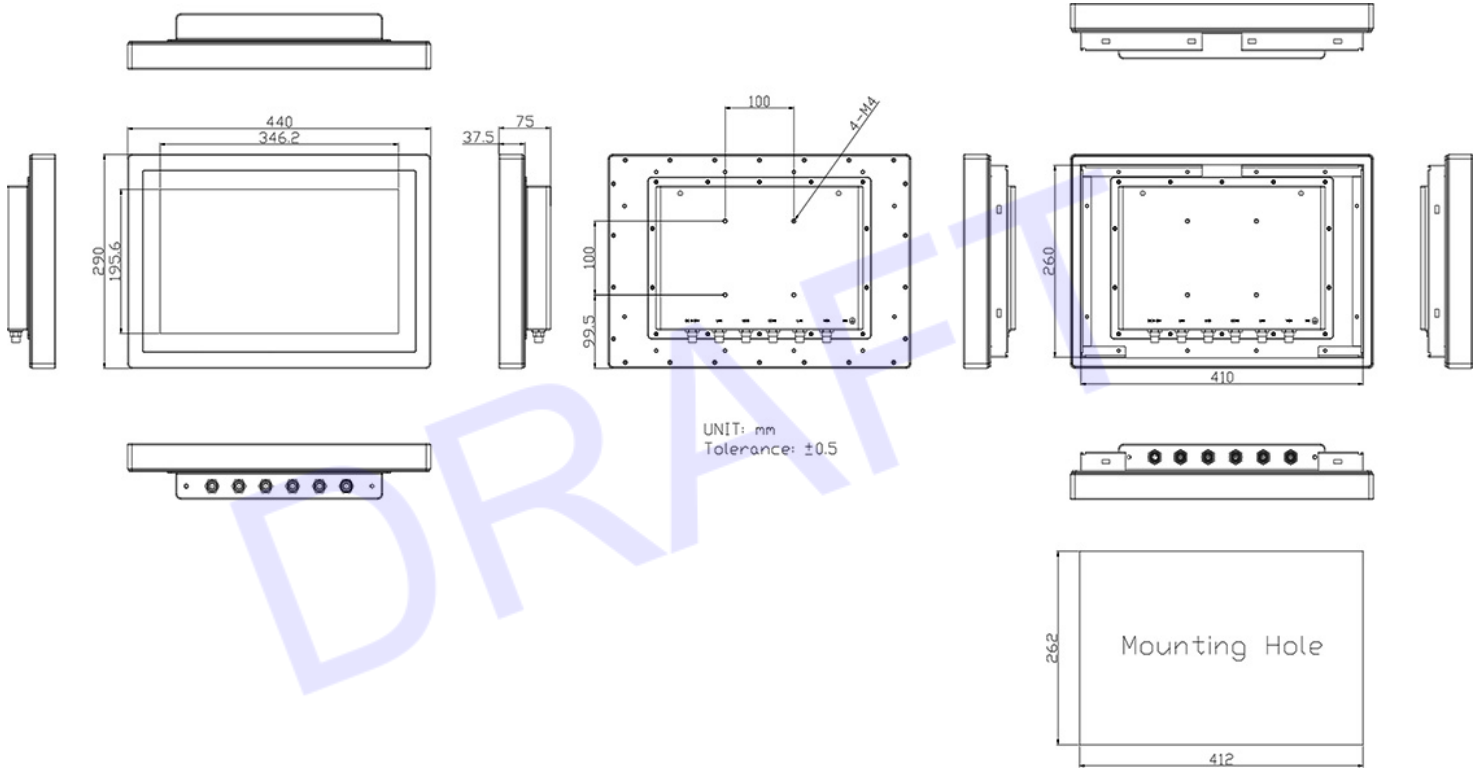
Operating System Support	
Windows embedded 7	
Windows embedded 8.1	
Windows 10 IoT ENT LTSC	

\*Specifications subject to change without notice, not responsible for typographical errors.

TOUCHSCREEN	
Type	Projected Capacitive Touch
Interface	USB
Light Transmission(%)	90%
POWER SUPPLY	
Power Input	DC 9~36V
Power Consumption	23W
MECHANICAL	
Construction	316 stainless steel chassis
IP Rating	Total IP66
Mounting	VESA mount 100 x 100, Panel mount (option)
Dimension	440 x 290 x 75 mm
Net Weight	10 kg
ENVIRONMENTAL	
Operating Temperature	-20~60°C
Storage Temperature	-30~70°C
Storage Humidity	10 to 95% @ 40°C, non- condensing
Safety	CSA C22.2 No.61010
Certificate	CE / FCC Class A ATEX / IECEx Zone2 Ex ec ic IIC T4 Gc ATEX / IECEx Zone22 Ex tc IIIC T135°C Dc Class I, Division2, Group A,B,C,D,T4 Class II, Division2, Group F,G, T135°C Class III ANSI/ISA 12.12-01-2013 CSA Std., C22 No213-1987

**DIMENSION:**

*This is subject to change without Notice. Final Drawings Will be Provided for Approval after Order.*



Drawing No.: APCW156N2-UL-PCAP-02272023-V1