

Industrial PANEL PC

12.1" SVGA 1024 x 768 500nits fanless HMI barebone with Celeron N2930(1.83.GHz) CPU, 4GB DDR3L RAM, resistive touch screen, 9~36VDC input with adapter, Aluminum chassis. Wide Temp -20~70C operating temperature.

+2.5in SSD 64GB WIDE TEMPERATURE (MLC, wide temp-40~85)
+Win10 IoT Ent LTSB 2016 Multi Lang OEI Entry EPKEA (ESD).

APC1210WT-AT-V1



FEATURES:

- 12.1" Industrial Compact Size Panel PC
- Flat front panel touch screen
- Fanless design
- Intel Celeron N2930(1.83GHz) CPU built-in
- Onboard 4GB DDR3L 1333 MHz/8GB(option)
- Wide range DC 9~36V power input
- IP66 compliant front panel
- Optional projected capacitive touch screen support 7H anti-scratch surface
- Optical bonding and XGA 1024 x 768 resolution LCD for option
- Auto dimming

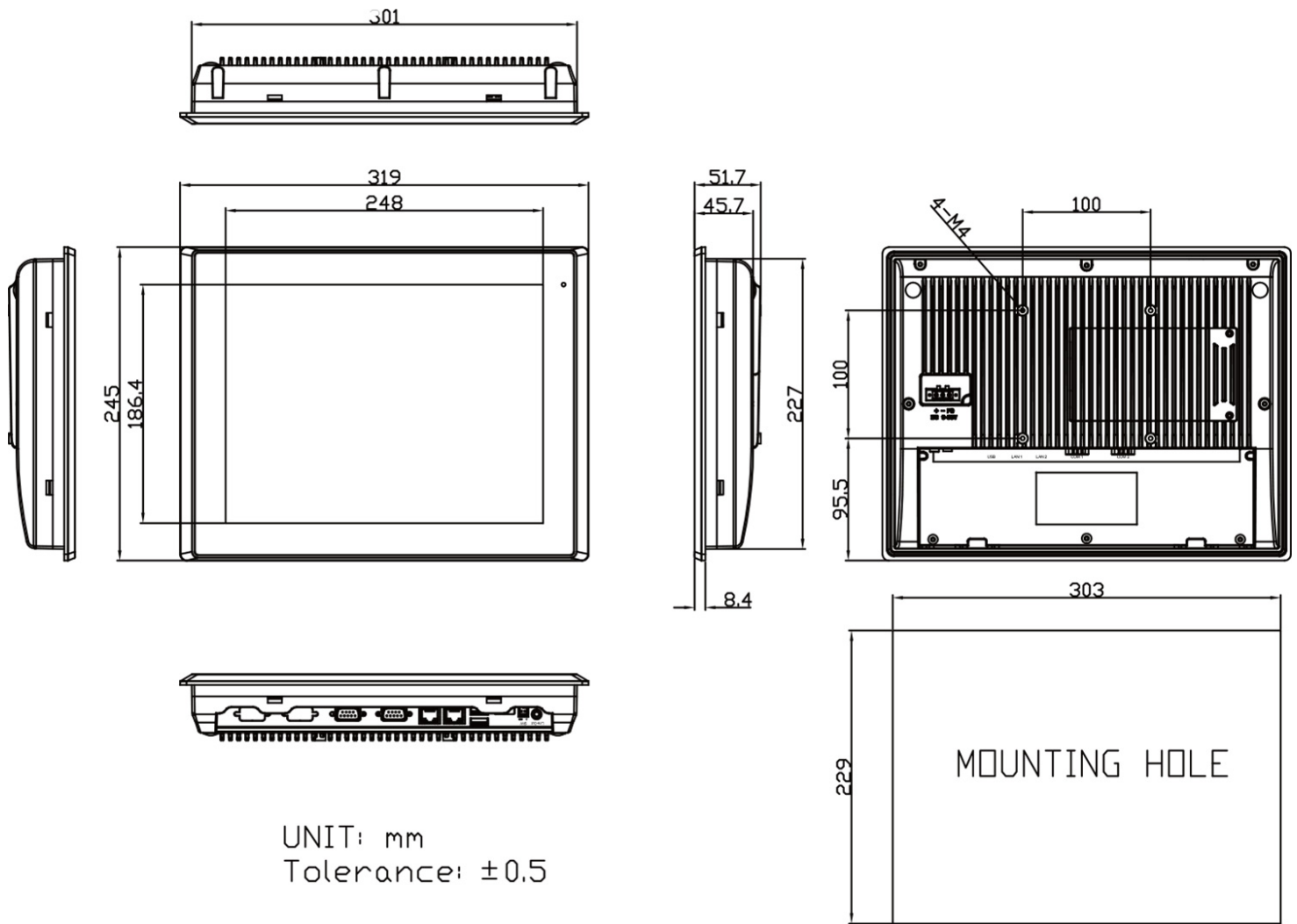


SPECIFICATION:

SYSTEM	
CPU	Onboard Intel Celeron N2930(1.83GHz) Processor
System Memory	Onboard 4GB DDR 3L 1333 MHz/8GB(option)
System Chipset	SoC
IO Port	
USB	2 x USB 3.0 type A
Serial/Parallel	1 x RS-232 DB-9, COM2 1 x RS-232/422/485 DB-9, COM1, default RS-232
Audio	1 x Audio Line Out
LAN	2 x GbE LAN RJ-45 with Intel 82574L controller
Power	1 x 3-pin DC power input terminal 1 x 2-pin connector for power on/off button
Option	2 x RS-232 DB-9 + 1 x Mini-PCIe slot via TB-528C2ME1 2 x CAN bus via TB-528CAN2 2 x USB 2.0 type A Via TB-528U2 2 x USB 2.0 type A + 1 x RS-232 DB-9 + 1 x Power button via TB-528C1U2P1 UPS Battery 21W/10.8V/1.95Ah(3S1P) UPS Battery and TB-528 expansion board can't be used in the same time When use auto dimming function can't support TB-528 expansion board and UPS battery
Storage Space	
HDD	1 x SATA 2.5" HDD bay for SATA HDD (easy accessible)
Movable device	1 x SD card slot, up to 32GB
Expansion	
On board expansion bus	1 x Internal Mini-PCIe slot full size
Operating System Support	
Windows Embedded Compact 7, Windows Embedded Standard 7, Windows 7 Pro(FES), Windows 7 Ultimate(FES), Windows Embedded 8 Standard, Windows Embedded 8.1 Industry Pro, Windows 10 IoT Enterprise 2015LTSB	

Display	
Display Type	12.1" TFT-LCD
Max. Resolution	1024 x 768
Max. Color	262K
Brightness	500
View Angle	160(H) / 140(V)
Contrast Ratio	700 : 1
Backlight Lifetime	30,000 Hrs
TOUCHSCREEN (option)	
Type	Resistive Touch Window
Light Transmission	Resistive Touch Window: over 80%
Interface	USB
POWER SUPPLY	
Power Input	9~36V DC
Power Consumption	MAX: 19.5W
MECHANICAL	
Color	RAL 9007
Construction	Aluminum Die-casting Front Bezel and Chassis
IP Rating	IP66 compliant front bezel
Mounting	Panel Mounting, VESA 100 x 100
Dimension	319 x 245 x 51.7 mm
Net Weight	2.8 Kg
ENVIRONMENTAL	
Operating Temperature	-20°C ~ 70°C
Storage Temperature	-20~60 OC
Storage Humidity	10 to 90%@ 40°C, non-condensing
Certificate	CE / FCC CLASS A/ UL

DIMENSION:



UNIT: mm
Tolerance: ± 0.5