

# PC Based Industrial Compact Size PANEL PC



IP66/IP69K 17" TFT-LCD Fanless Industrial Compact Size Panel PC Intel Celeron N2930 Processor (2M Cache, 1.83GHz), 4GB DDR3L SDRAM, DC 9~36V power input with Projected Capacitive Touch

**MODEL: APCW1700S-AT**

## FEATURES:

- 17" Food Industrial Panel PC
- Flat front panel touch screen
- Fanless design
- Intel Celeron N2930 Processor
- Onboard 4GB DDR 3L 1600 MHz
- Wide range DC 9~36V power input



## SPECIFICATION:

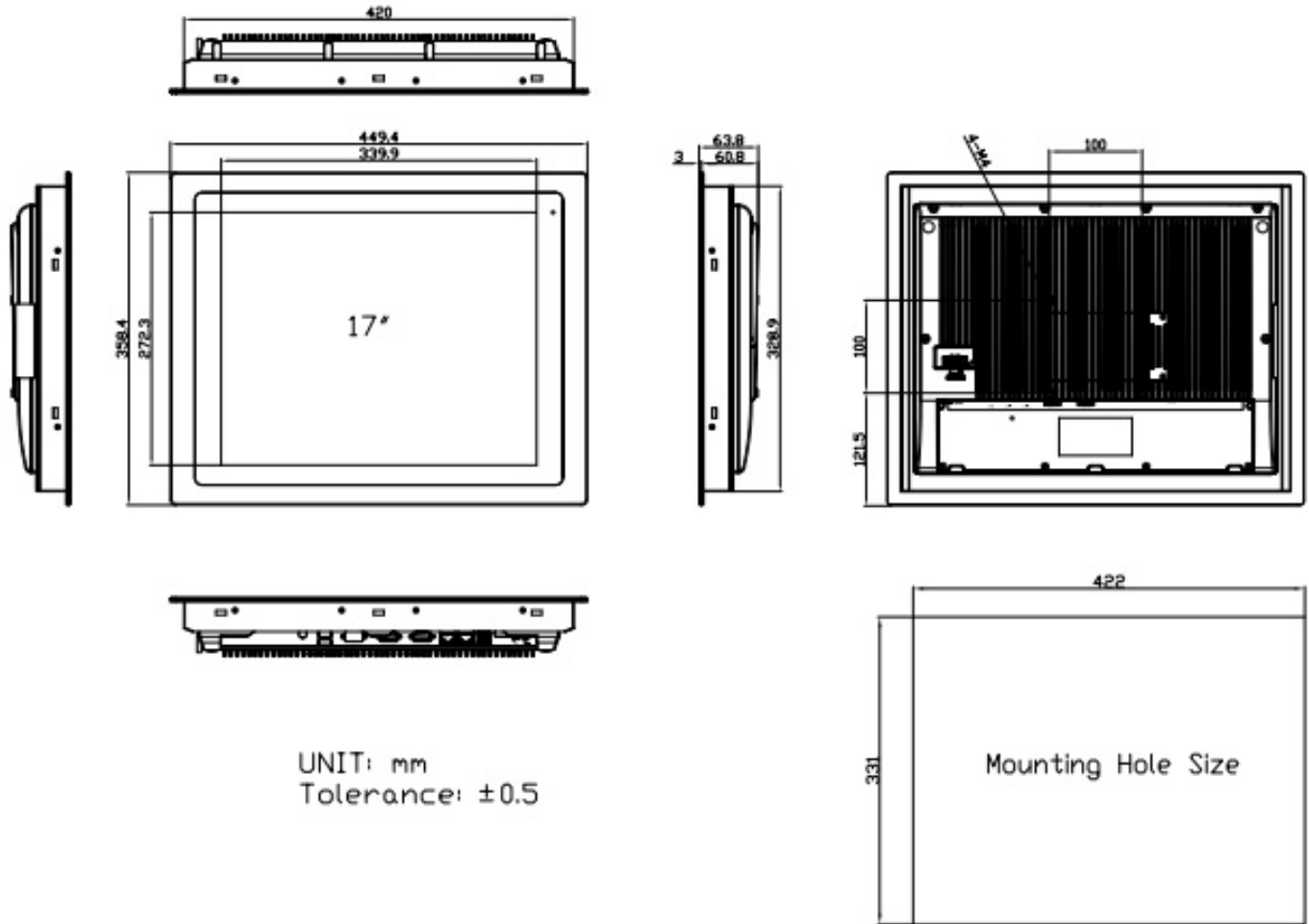
SYSTEM		TOUCHSCREEN (option)	
CPU	Onboard Intel Celeron N2930 Processor (2M Cache, 1.83GHz)	Type	Projected Capacitive Touch
System Chipset	SoC	Light Transmission	Over 90%
System Memory	Onboard 4GB DDR3L SDRAM	Interface	USB
IO Port		POWER SUPPLY	
USB	2 x USB 3.0 type A	Power Input	9~36V DC
Serial/Parallel	1 x RS-232/422/485 DB-9, default RS-232(COM1) 1 x RS-232 DB-9(COM2)	Power Consumption	39W
LAN	2 x GbE LAN RJ-45	MECHANICAL	
Audio	1 x Line Out	Construction	304 Stainless steel front bezel (Default) 316 Stainless steel front bezel (Optional) Aluminum back cover
Power	1 x 3-pin DC Power input terminal 1 x 2-pin connector for power on/off button	IP Rating	Front Panel IP66/IP69K
Storage Space		Mounting	Panel mount, VESA mount 100 x 100
HDD	1 x 2.5" SATA HDD space (Easily Accessible)	Dimension	449 x 358 x 63.8 mm
Movable device	1 x internal SD slot onboard	Net Weight	5.1 kg
Expansion		ENVIRONMENTAL	
On board expansion bus	1 x Internal Mini-PCIe slot full size on board	Operating Temperature	0~50°C
Display		Storage Temperature	-30~70°C
Display Type	17" TFT-LCD	Storage Humidity	10 to 90%@ 40°C, non-condensing
Max. Resolution	1280 x 1024	Certificate	CE / FCC Class A/EN 1672-2
Max. Color	16.7M	Operating System Support	
Brightness	350	WEC 7, Windows Embedded 7, Windows Embedded 8.1, Windows 10 IoT ENT LTSB	
View Angle	160(H) /140(V)		
Contrast	1000:1		
Backlight Lifetime	30,000 hrs		
	50,000 hrs		



i-Tech Company LLC

TOLL FREE: (888) 483-2418 • EMAIL: [info@iTechLCD.com](mailto:info@iTechLCD.com) • WEB: [www.iTechLCD.com](http://www.iTechLCD.com)

**DIMENSION:**



UNIT: mm  
Tolerance:  $\pm 0.5$