

Military Rugged Rackmount LCD Drawer

1U 19" Rackmount Rugged LCD Keyboard drawer 1280 x 1024, 450 nits, front EMC glass, AC 100~240V input (lock connector), depth 26"/660mm depth, no keyboard

Video input: VGA+BNC+HDMI input

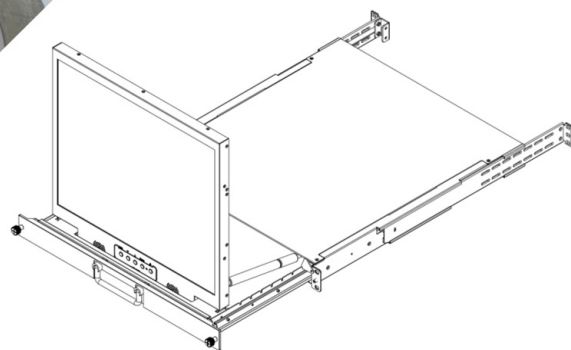
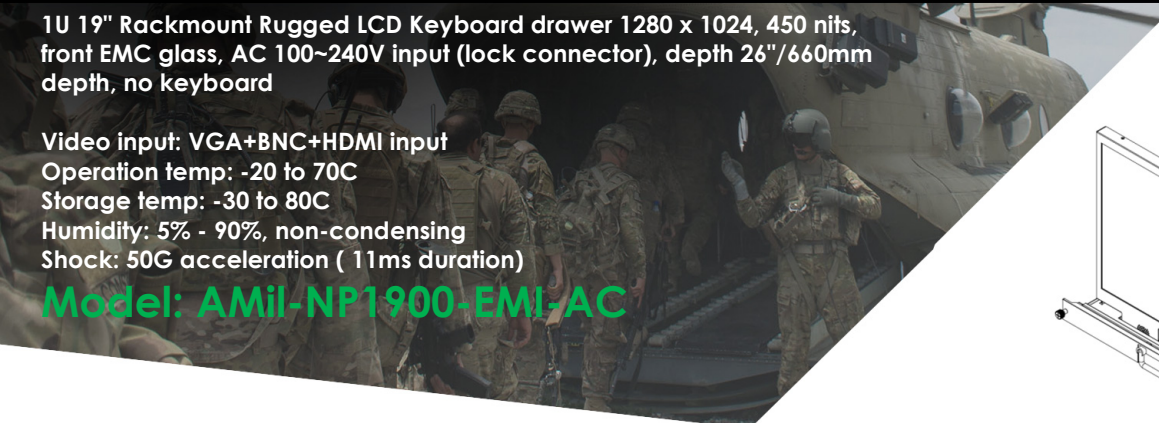
Operation temp: -20 to 70C

Storage temp: -30 to 80C

Humidity: 5% - 90%, non-condensing

Shock: 50G acceleration (11ms duration)

Model: AMil-NP1900-EMI-AC

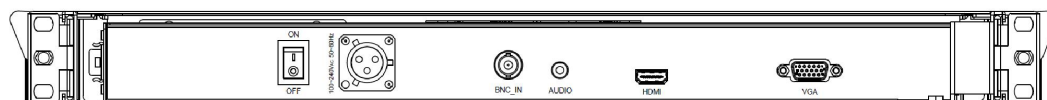


FEATURES

- Meet MIL-STD-810F/G standard
- 1U 19" rack mount LCD drawer, wide operation temperature
- support 1280 x 1024 resolution
- MIL connector for power input
- Standard with DVI-D, VGA, Audio input
- Front osd control buttons to optimized display
- Build in 2x 2watts stereo speakers

Option

- Composite video input
- HDMI or Display port input
- BNC input
- DC 9~36V power input
- High brightness LCD panel, up to 1000 nits
- Front AR or EMC glass protect screen
- Touch screen



SPECIFICATIONS

LCD	Size	19"
	Backlight	LED
	Resolution	1280 x 1024
	Max.color	16.7M
	Luminance	450cd/m2
	View Angel (H/V)	170 / 160
	Contrast Ratio	1000 : 1
Touch Screen	Yes, for option	
Input Signal	DVI-D	DVI-D 24Pin Connector (Female)
		D-SUB 15Pin Connector (Female)
		3.5" Jack
Rack Depth	600mm to 1000mm (rack cabinet front rails to rear rails)	
Power	100-240V AC 50/60Hz via 4 pins lock connector	
Environment (MIL-STD-810G)	Operation temp: -20 to 70° C	(MIL-STD-810, Method 501.5 & 502.5)
	Storage temp: -30 to 80° C	(MIL-STD-810, Method 501.5 & 502.5)
	Humidity: 5% - 95%, non-condensing	(MIL-STD-810, Method 507.5)
	Shock/Vibration: Procedure VI, 50G @ 11ms	(MIL-STD-810, Method 516.6)
	Altitude: 10,000 ft Operational, 30,000 ft Storage	(MIL-STD-810, Method 500.5)
Physical Dimensions / Net Weights	448 x 44 x 600 mm (WxHxD) /KG	
Packing Dimensions / Gross weights	(WxHxD) /KG	
Accessories		
1 x 1.8 Power Cord with lock connector, 1	.8 meter DVI-D Cable, 1.8 meter VGA Cable , 1.8 meter Audio Cable (each one)	

MECHANICAL DRAWINGS

