

RUGGED MILITARY GRADE LCD KEYBOARD DRAWER

1U 17.3" Rackmount Rugged LCD Keyboard drawer 1920 x1080, 300nits with Front EMC glass, Sealed IP65 silicone keyboard and trackball with backlight

-Built In Power 100-240V AC 50/60Hz via 3 pins lock connector

-Integrated with 8-ports USB RGB KVM Includes 8pcs 6ft long USB/VGA KVM Cables

Model: AMil-W1730S8b

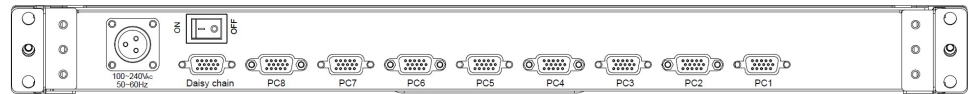


FEATURES

- Meet MIL-STD-810F/G standard
- 1U 17.3" LCD drawer
- Support 1920 x 1080 FHD resolution
- Short depth design suit for mobile rack and limited space
- Support combo interface, VGA-USB & VGA-PS/2
- Sealed IP65 silicone keyboard and trackball with backlight
- MIL connector for power input
- Self-locking and auto release rails for ultra convenience
- Port selection via push buttons or On-Screen-Display (OSD).

OPTION

- DC 9~36V power input
- High brightness LCD panel, up to 1000 nits
- Front AR or EMC glass protect screen



Rear of AMil-W1730S8b

SPECIFICATIONS

Direct no. of Computers	8	
Maximum no. of Computers	232(Daisy Chain)	
LCD	Size	17.3"
	Backlight	LED
	Resolution	1920*1080 Full HD (support resolution up to 1920x1200)
	Max.color	262K
	Luminance	300cd/m2
	View Angel (H/V)	140 / 120
	Contrast Ratio	650 : 1
Port Selection	Push Button, Hotkey	
USB Local Console	N/A	
KB/Mouse Emulation	USB & PS2	
Rack Depth	450 mm to 650mm (rack cabinet front rails to rear rails)	
Power	100-240V AC 50/60Hz via 3 pins lock connector	
Environment (MIL-STD-810G)	Operation temp: 0 to 50°C	(MIL-STD-810, Method 501.5 & 502.5)
	Storage temp: -20 to 60°C	(MIL-STD-810, Method 501.5 & 502.5)
	Humidity: 10% - 90%, non-condensing	(MIL-STD-810, Method 507.5)
	Shock/Vibration: Procedure VI, 50G @ 11ms	(MIL-STD-810, Method 516.6)
	Altitude: 10,000 ft Operational, 30,000 ft Storage	(MIL-STD-810, Method 500.5)
Physical Dimensions / Net Weights	482x43x460mm (WxHxD) /14KG	
Packing Dimensions / Gross weights	605x168x700mm (WxHxD) /17KG	

Accessories

1 x 1.8 Power Cord with lock connector

Option Relate Item

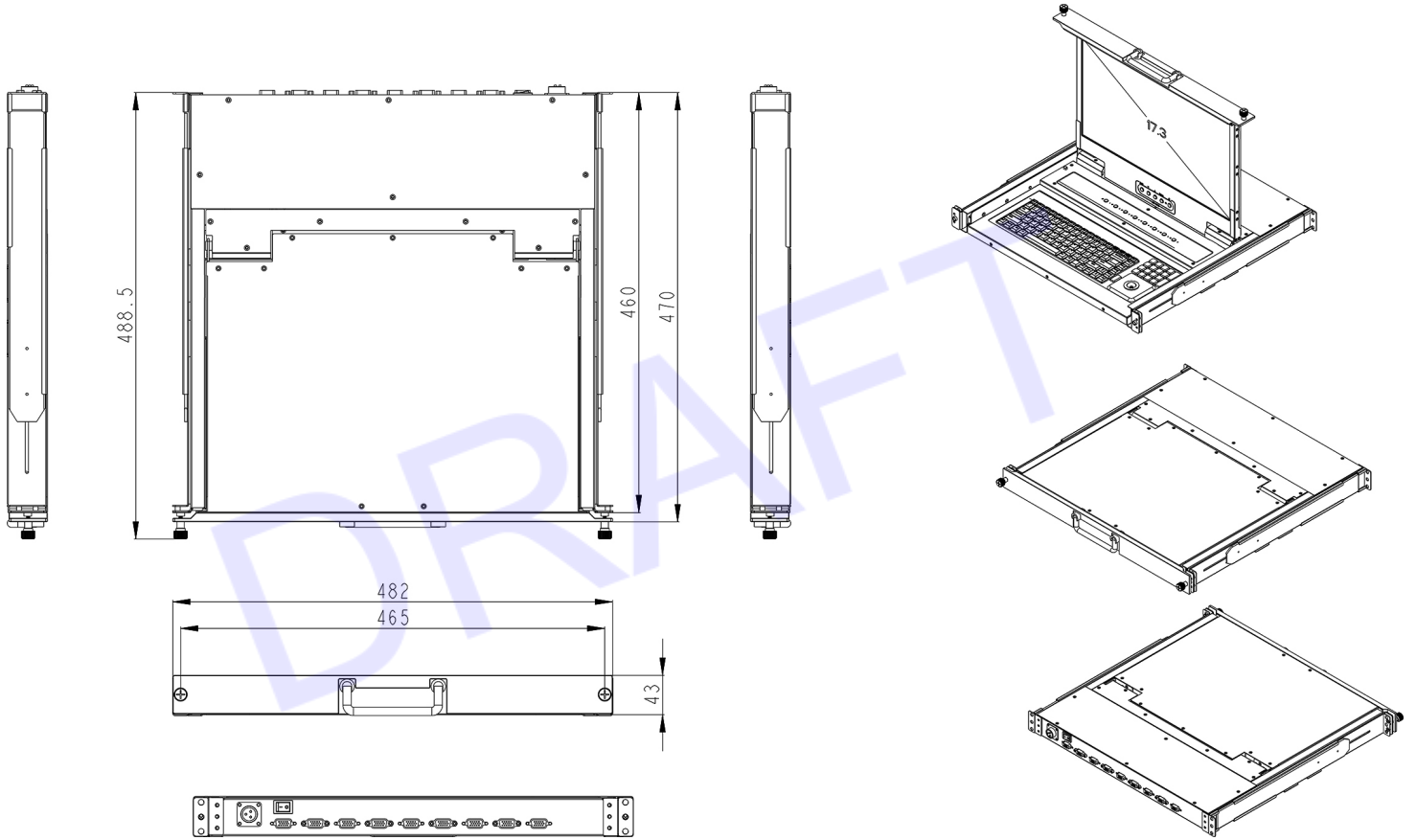
AB-6	1.8meter 2-in-1 KVM Cable-USB&VGA	AD-6	1.8meter 3-in-1 KVM Cable-PS/2&VGA
AB-10	3.0meter 2-in-1 KVM Cable-USB&VGA	AD-10	3.0meter 3-in-1 KVM Cable-PS/2&VGA
AB-15	5.0meter 2-in-1 KVM Cable-USB&VGA	AD-15	5.0meter 3-in-1 KVM Cable-PS/2&VGA

*Specifications subject to change without notice, not responsible for typographical errors.

Modified: 03-02-2023

MECHANICAL DRAWINGS

This is subject to change without Notice. Final Drawings Will be Provided for Approval after Order.



Drawing no.: AMil-W1730S8b-03022023-V1