

1U Rackmount Industrial Display Drawer

1U Rackmount 15" TFT LCD Rackmount Monitor Draw
1024 x768 resolution Video input: VGA + DVI-D 20" Deep.
-30 ~ 85°C storage and operating temp

Model: ANP115WT

FEATURES:

- 1U Foldable Compact 19 inch rack mountable
- 15 inch 1024 x 768 resolution
- DVI-D, VGA, Audio input
- Heavy duty steel chassis construction
- Front osd control buttons to optimized display
- Build in 2x 2watts stereo speakers
- Self-Locking and Auto Release rail for ultra convenience

OPTION:

- Composite video input
- HDMI or Display port input
- 3G / HD / SD-SDI broadcast grade input
- DC 9~36 V power input
- AR Hardness glass
- Touch screen

SPECIFICATIONS

LCD CHARACTERISTICS	
Screen Size	15"
Backlight Type	LED
Resolution	1024*768
Contrast Ratio	2500:1
Brightness (cd/m2)	500
View Angles (H/V)	176/176
Pixel Size (HxV) mm	0.297x0.297
Max. Color	16.7M

INPUT SIGNALS	
DVI-D	DVI-D 24Pin Connector (Female)
VGA	D-SUB 15Pin Connector (Female)
Audio	3.5" Jack
Power Input	Standard IEC Inlet
Touch-USB (option)	USB A Type connector
Touch-RS232 (option)	D-SUB 9P connector (Female)

POWER SPECIFICATIONS	
AC Power Input	Standard IEC Type Power Cord with Internal Power adapter, 100-240V AC Input
Wide Range DC Power Input (option)	Screw Type Terminal Block with internal wide Range DC 9-36V power module

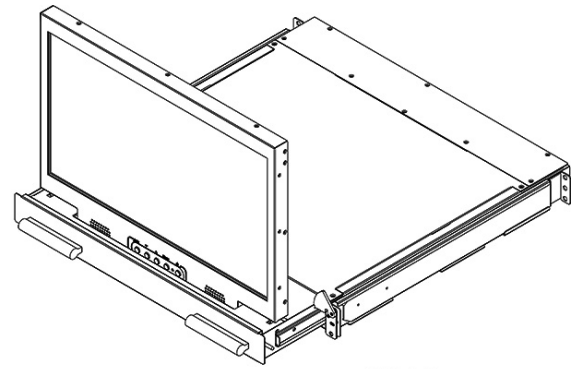
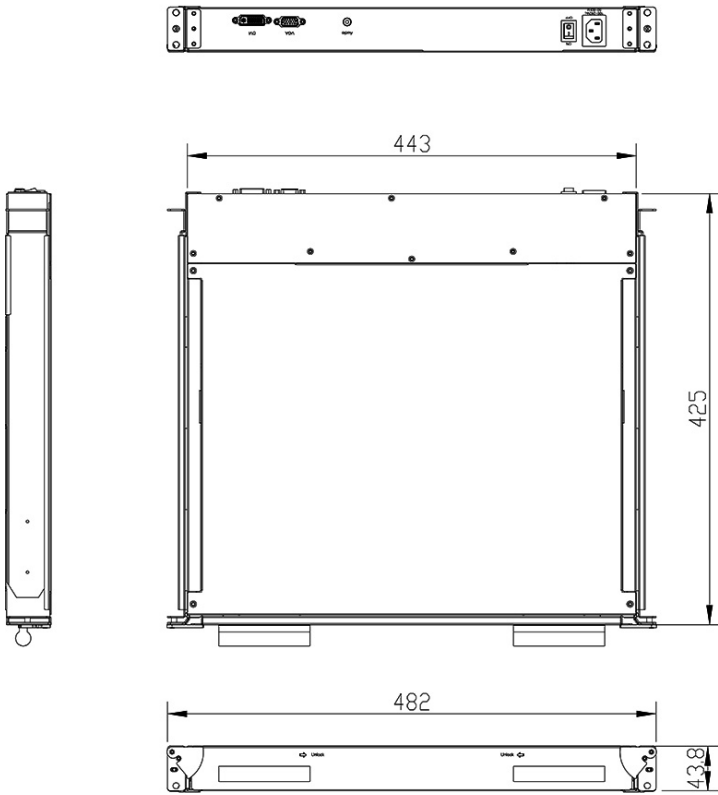
USER CONTROL INTERFACE
Power ON / OFF via Front Button
Power Mode Status LED indicator
OSD (On Screen Display) Buttons

MECHANICAL AND ENVIRONMENT	
Height	1U Foldable
Rack Depth	15.5" to 30" (cabinet front rail to rear rail)
Mounting	Rack Mount with tilt adjustment
Construction	Metal Housing
Operating Temperature	-30 ~ 80 deg. C
Operating Humidity	5% - 95% (non -condensing)
Anti-Vibration	5 - 500 Hz / 1 Grms PTP
Anti-Shock	15G / Peak (11 ms)
Physical Dimension (WxHxD)	448 x 44 x 425 (mm)
Packing Dimension (WxHxD)	610 x 170 x 700 (mm)
Net Weight / Gross Weight	12.5 / 17 (KGs)
Certification and Approvals	CE / FCC / RoHs



REAR of ANP115WT

DRAWINGS



比例 0.2

