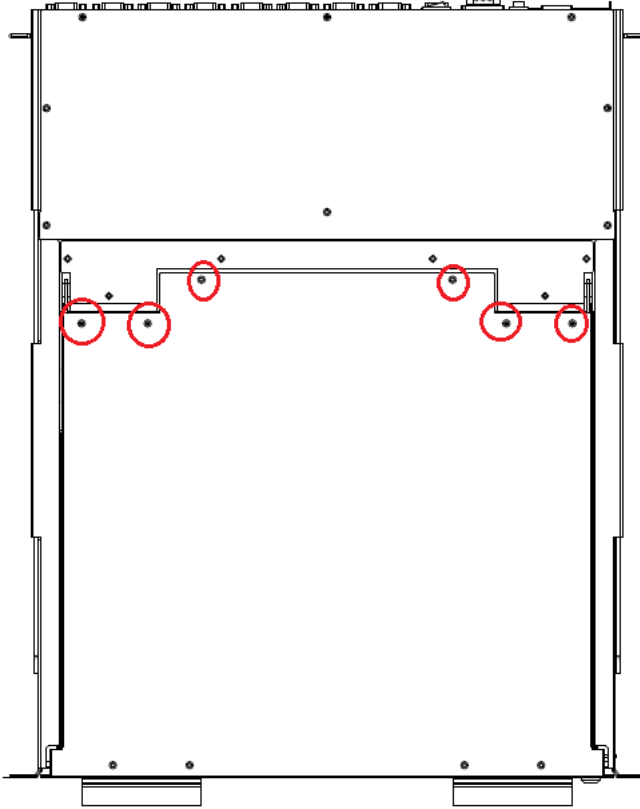


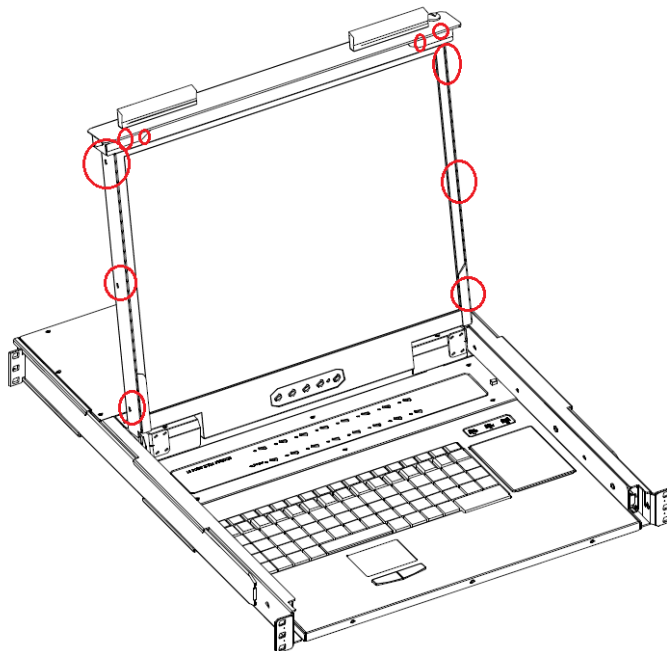
How to Check AD Board

Model: AVP117e-220DC

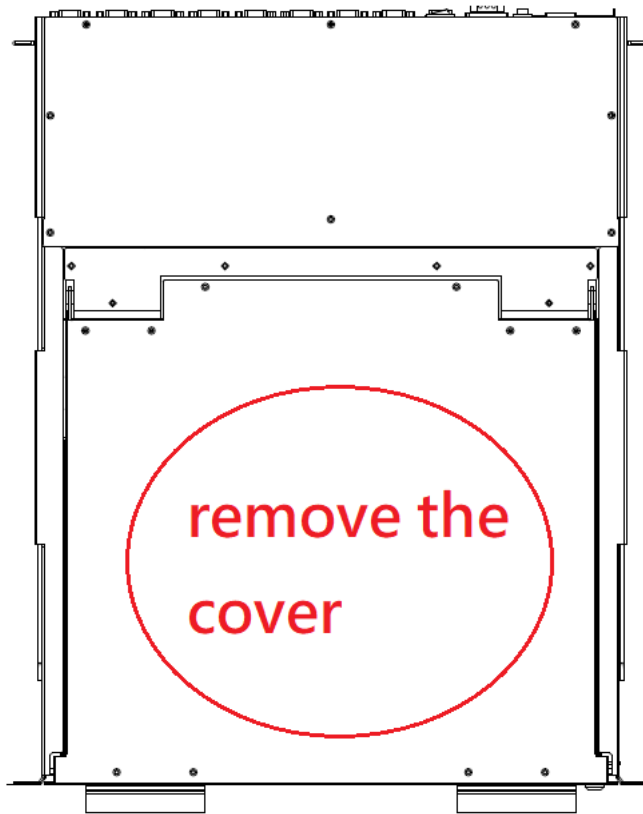
1. Remove screws x 6



2. Remove screws x 10 (5 pcs each side)



3. Remove LCD back cover



4. Check the AD board connection – re-plug every cable on the AD board to see if the display shows image normally.

