

15.6" Venus, Intel Atom Z8350, 32GB eMMC, 2GB RAM
PCAP, DC12~24V / POE, Ubuntu 19.04

Model: VPCW1560AO2-POE-L



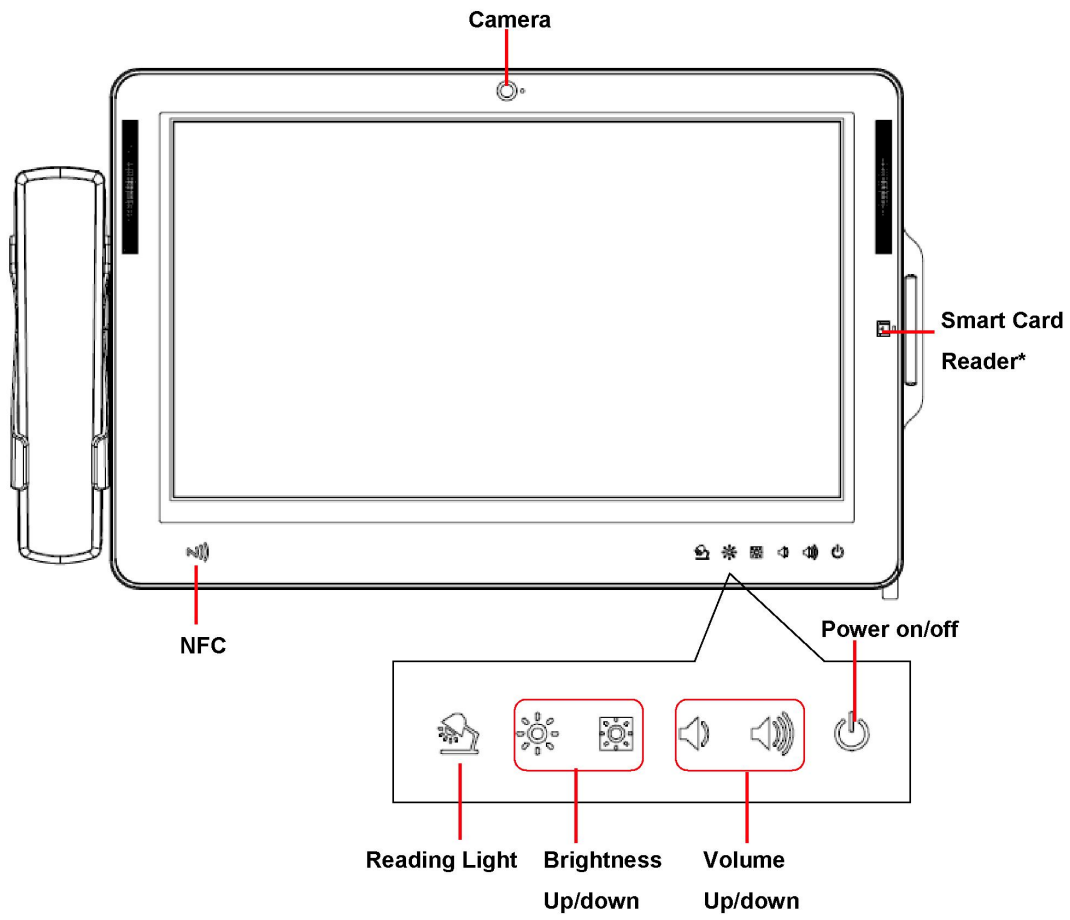
SPECIFICATIONS

Component	
CPU	Intel Atom Z8350
CPU Cooler (Type)	Heatsink
Memory	2GB/4GB DDR3L
Power Supply	DC Input, 12 ~ 24V/ Powered LAN 802.3AT
Microphone	1 x A-MIC
Speaker	2 x 4Ω 2.0W/2.5W(MAX) speaker(L & R)
Camera	2.0MP Camera
Wireless LAN	WIFI 802.11 b/g/n
Operating System	Windows10 IoT 2016 64bit / Android 5.1 64bit
Storage	
Other Storage Device	32GB/64GB eMMC
Panel	
LCD Panel	15.6", 1920x1080 pixel
Touch Screen	PCAP
External I/O	
Serial Port	1 x RJ45 for RS232/422/485(configurable by BIOS setting)
USB Port	2 x USB 2.0 Type A
LAN Port	1 x 10/100/1000 Ethernet
Indicator Light	LED indicating bar
Others	1 x Headphone- 1 x 3.5mm Audio Jack (4 rings)
Mechanical	
Power Type	DC-IN(12~24V)/ Powered LAN 802.3T)
Power Connector Type	DC-IN : DC Jack 5.7mm Powered LAN+ : RJ45
Dimension	472.1 x 269 x 70.1 mm
Weight	2.5kg
Color	white
Option	1 x Handset
Software	
BIOS	64 bit
Reliability	
EMI Test	CE/ FCC class B
Dust and Rain Test	Front Panel IP65

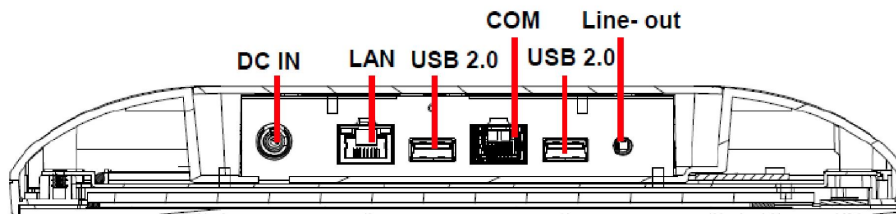
**Specifications subject to change without notice, not responsible for typographical errors.*

Vibration Test	<p>Sine Vibration test (Non-operation) Reference IEC60068-2-6 Testing procedures Test Fc : Vibration sinusoidal 1 Test Acceleration : 2G 2 Test frequency : 5~500 Hz 3 Sweep : 1 Oct/ per one minute. (logarithmic) 4 Test Axis : X,Y and Z axis 5 Test time :30 min. each axis 6 System condition : Non-Operating mode Package Vibration Test</p>
	<p>Reference IEC60068-2-64 Testing procedures Test Fh : Vibration boardband random Test 1. PSD: 0.026G²/Hz , 2.16 Grms 2. Non-operation mode 3. Test Frequency : 5-500Hz 4. Test Axis : X,Y and Z axis 5. 30 min. per each axis Random Vibration Operation</p>
	<p>Reference IEC60068-2-64 Testing procedures Test Fh : Vibration boardband random Test 1. PSD: 0.00454G²/Hz , 1.5 Grms 2. Operation mode 3. Test Frequency : 5-500Hz 4. Test Axis : X,Y and Z axis 5. 30 minutes per each axis 6. IEC 60068-2-64 Test:Fh</p>
Mechanical Shock Test	<p>Bump Test Reference IEC 60068-2-29 Testing procedures Test Eb : Bump Test 1. Wave form : Half Sine wave 2. Acceleration Rate : 10g for operation mode 3. Duration Time : 11ms 4. No. of Shock : Z axis 300 times 5. Test Axis: Z axis 6. Operation mode</p>
Drop Test	<p>1. One corner , three edges, six faces 2. ISTA 2A, IEC-60068-2-32 Test:Ed</p>
Operating Temperature	0°C ~ 40°C
Operating Humidity	0% ~ 90% Relative Humidity, Non-condensing
Storage Temperature	-20°C ~ 60°C

FRONT VIEW



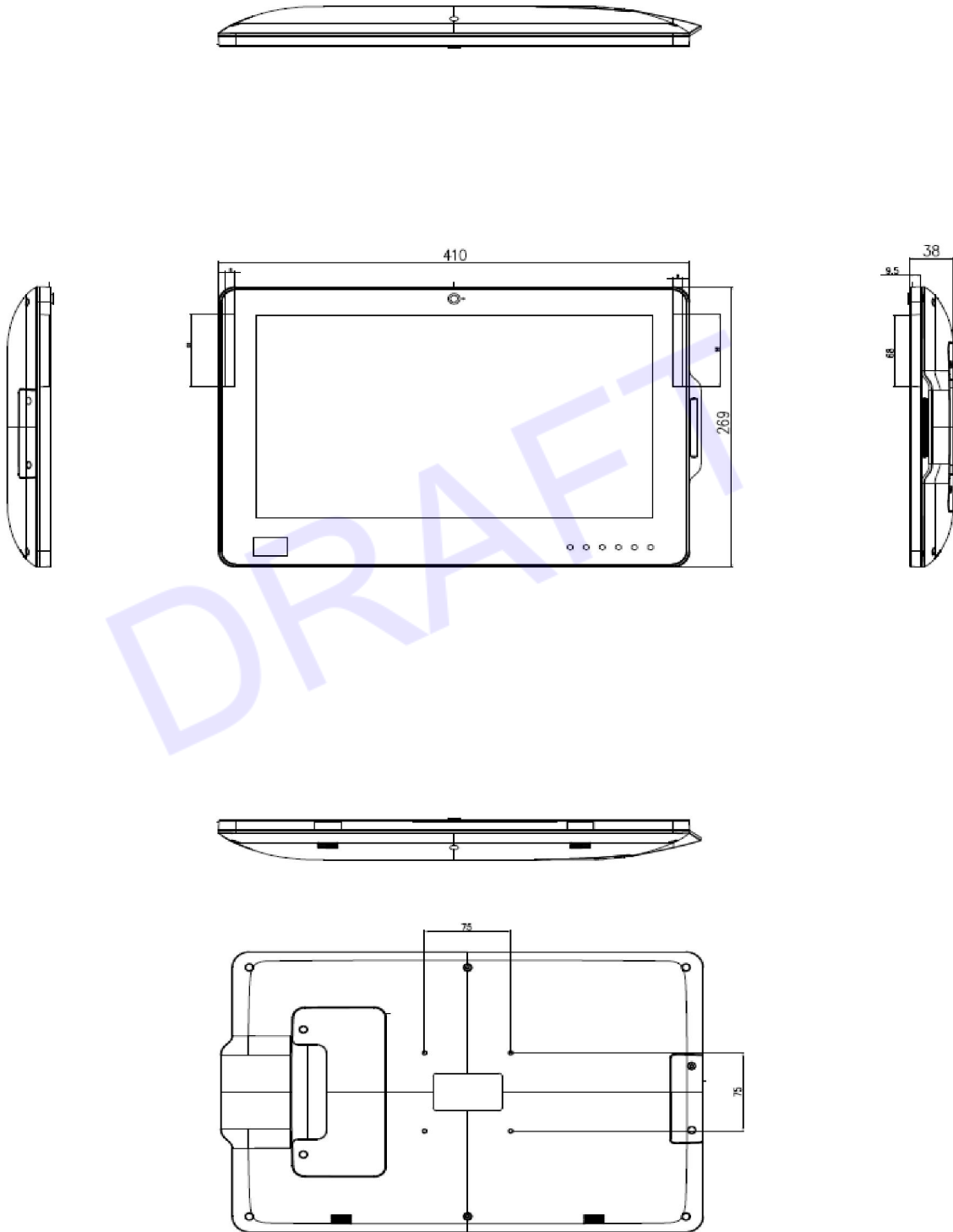
REAR VIEW



Connectors		
Label	Function	Note
DC IN	DC-IN power connector	
LAN	RJ-45 Ethernet	
COM	Serial port connector	
USB	2 x USB2.0 connector	
Line-out	Line-out audio jack	

MECHANICAL DRAWING

This is subject to change without Notice. Final Drawings Will be Provided for Approval after Order.



Drawing No.: VPCW1560AO2-POE-L-03212023-V1