

KL3116M

16-port Multi-Platform + USB Peripheral LCD KVM Switch



2 Local users
Shared Access

TCP/IP
IP Upgradeable
with CN5000

Dual-Slide

Multi-Platform



USB peripheral support



With the USB peripheral port of the KL3116M, users in a server room environment can optimize the USB peripheral port to share files between attached computers or install files on a specific computer via a thumb drive or other storage devices. The KL3116M's multi-platform capability provides users to manage mixed platform computers from one console.

Features

- All-in-one design
- Extra console port design
- Dual slide design
- Unique Macro-keys
- Separate administrator and users profiles with different passwords
- OSD, Hotkeys, and pushbutton for port selection
- Firmware upgradeable
- Auto scan

Advantages

- Built in USB peripheral sharing port – behave as the external USB port for the connected computers via USB KVM cable. IT administrators can share the files between the computers for install files to desired computers via thumb drive or other storage devices.
- Daisy chain up to 31 additional KVM switches to control up to 512 computers
- Convenient 7-segment LED station ID and port ID show the current access port
- Broadcast support

Package Contents

- 1 x KL3116M
- 2 x 6' PS/2 KVM cable
- 1 x each regular long and short rack kit
- 1 x power cord
- 1 x USB console cable
- 1 x firmware upgrade cable

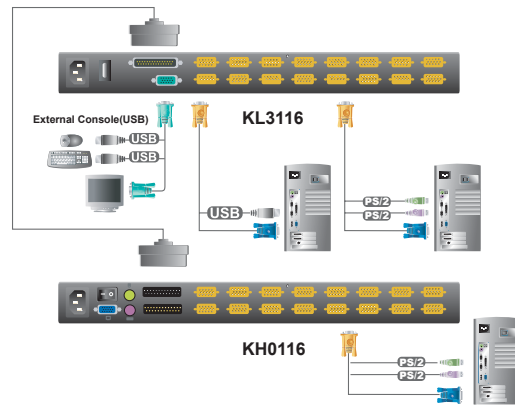
Compatible Cables

- 2L520xP, PS/2 KVM cable
- 2L520xU, USB KVM cable
- 2L17xx (daisy chain cable)

Compatible KVM

- ACS1208A / ACS1216A, 8/16-port PS/2 KVM switches
- CS17108/ CS1716, 8/16-port USB KVM switches
- KH1508/1516, 8/16-port CAT5 KVM switches

Diagram



Specifications

Functions		KL3116M
Computer Connectors	Direct	16
	Max.	512(via Daisy Chain)
Port Selection		OSD, Hotkeys, Pushbutton
Connectors	External Console Ports	1 x SPHD-15 Male (Green)
	KVM Ports	16 x SPHD-15 Female (Yellow)
	Power	1 x 3-prong AC Socket
	Extra External Mouse	1 x 6-pin Mini-DIN Female (Green)
	FW Upgrade	1 x RJ11 Female (Black)
	Daisy Chain Ports	1 x DB-25 Male (Black)
	USB Port	1 x USB 1.1 Type A Female (White)
Switches	Reset	1 x Semi-recessed Pushbutton
	Station Selection	2 x Pushbutton
	Port Selection	2 x Pushbutton
	Power	1 x Rocker
	FW Upgrade	1 x Slide
	LCM Adjustment	4 x Pushbutton
LEDs	On Line	16 (Green)
	Selected	Station
		Port
		2 x 7-segment (yellow)
		2 x 7-segment (yellow)
	Power	1 (Blue)
	Lock	1 x Num Lock (Green), 1 x Caps Lock (Green), 1 x Scroll Lock (Green)
	LCD Power	1 (Orange)
Emulation	Keyboard/Mouse	PS/2 and USB
Video Resolution	17" LCD	1280 x1024@75Hz; DDC2B
Scan Interval		1-255 Seconds
I/P Rating		100-240V AC; 50/60 Hz; 1A
Power Consumption		120V/35.2W; 230V/41.8W
Environment	Operating Temp.	32°-104° F(0°- 40° C)
	Storage Temp.	-4°-140° F (-20°- 60° C)
	Humidity	0-80% RH, Non-condensing
Physical Properties	Housing	Metal
	Weight	38.5 lb. (17.5 Kg)
	Dimensions(L x W x H)	27.7 x 19.0 x 1.7 in. (70.5 x 48.2 x 4.4 cm)