

KL9108M/KL9116M 8/16-port IP Integrated 17" LCD KVM Switch

Up to 32 concurrent users Shared Access	1 Remote IP user Simultaneous Access	1 Local User	TCP/IP IP Ready	Dual-Rail Slide
---	--	--------------	---------------------------	-----------------



Multi-Session View at remote console



The KL9108M/KL9116M LCD IP KVM switch provides 1 local and 1 remote IP channels for two users to access 16 computers directly and includes advanced encryption technologies to maintain network security. Additionally, the KL9108M/KL9116M feature an innovative multi-session visual capability that allows remote users to monitor up to 16 computers simultaneously on-screen to gain better visibility into server activities.

Features

- All-in-one design
- Extra console port design
- Dual slide design
- Dedicated shortcut key
- Separated administrator and user profiles with different passwords
- OSD, Hotkeys, and pushbutton for port selection
- Firmware upgradeable
- Auto scan

Advantages

- Built in IP remote control capability – one independent user can access the unit through TCP/IP without interrupting the local user's operation.
- 32 concurrent users via TCP/IP – allows 32 remote users to access the unit at the same time through TCP/IP. Only one user can gain control.
- Multi-Session View (Panel Array) Technology – simultaneously monitor 4, 9, 16 servers on the screen (only at remote side via software)
- Advanced encryption security – 1024 bit RSA, 256 bit AES, 56 bit DES, and 128 bit SSL.
- Broadcast support – the commands from the keyboard can be broadcast to all connected computers

Package Contents

- 1 x KL9108M or KL9116M
- 2 x 6' PS/2 KVM cable
- 1 x regular long and short rack kit
- 1 x power cord

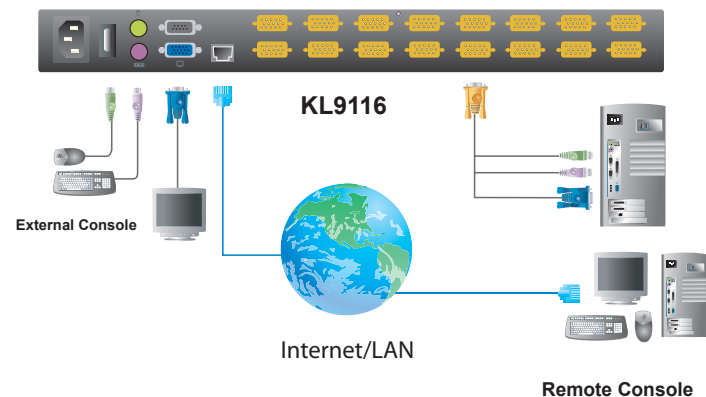
Compatible Cables

- 2L520xP, PS/2 KVM cable
- Combination of 2L520xP and UC100KMA for USB computer connection when implementing IP upgrade with CN5000

Compatible KVM and Compatible Power Distribution Unit

- CS9134 / CS9138, 4/8-port PS/2 KVM Switches
- PN0108, 8 outlets power distribution unit

Diagram



Specifications

Functions		KL9108M	KL9116M
Computer Connectors	Direct	8	16
	Max.	64(via Cascade)	128(via Cascade)
Console Connections	Local	1	
	Remote	1	
Port Selection		OSD, Hotkeys, Pushbutton	
Connectors	External Console Ports	Keyboard	1 x 6-pin Mini-DIN Female(Purple)
		Video	1 x HDB-15 Female (Blue)
	KVM Ports	Mouse	1 x 6-pin Mini-DIN Female (Green)
			8 x SPHD-15 Female (Yellow)
Power		1 x 3-prong AC Socket	
Extra External Mouse		1 x 6-pin Mini-DIN Female (Green)	
LAN		1 x RJ45 Female (Black)	
Power Unit Control		1 x DB-9 Male (Black)	
Switches		1 x Semi-recessed Pushbutton	
Reset		1 x Rocker	
Port Selection		2 x Pushbutton	
Power		1 x Pushbutton	
LCD Power		1 x Pushbutton	
LCM Adjustment		4 x Pushbutton	
LEDs	On Line	8 (Green)	16 (Green)
	Selected	8 (Orange)	16 (Orange)
Power		1 (Blue)	
Lock		1 x Num Lock (Green), 1 x Caps Lock (Green), 1 x Scroll Lock (Green)	
Link		1 (Green)	
10/100 Mbps		1 (Orange/Green)	
Emulation		Keyboard/Mouse PS/2	
Video Resolution		17" LCD 1280 x 1024 @ 75Hz; DDC2B	
Remote		1600 x 1200 @ 60Hz; DDC2B	
Scan Interval		1-255 Seconds	
I/P Rating		100-240V AC; 50/60 Hz; 1A	
Power Consumption		120V/31W; 230V/39W	
Environment	Operating Temp.	32°-104° F(0°- 40° C)	
	Storage Temp.	-4°-140° F (-20°- 60° C)	
	Humidity	0-80% RH, Non-condensing	
Physical Properties		Metal	
Housing		Metal	
Weight		37.6 lb. (17.1 Kg)	38.1 lb. (17.3 Kg)
Dimensions(L x W x H)		27.7 x 19.0 x 1.7 in. (70.5 x 48.5 x 4.4 cm)	