

17.3" 16:9 Rugged 2U Rackmount Drawer
with Dual-screen LCD Monitor
(Model: BHK2DW117e-SD)



INTRODUCTION

It is an ideal match in military transit case applications and command & control centers. The compact 2U rackmount display drawer uses a secure all-aluminum monitor mounting and stabilization design necessary for robust government & defense, communications and industrial automation applications. It is also designed for server room applications.

The BHK2 offers dual displays that are 2U rack mount (or 30") deep. You have the option of choosing among 17.3", 19", or 23" display sizes at a combined 3840x1080 or 2560x1024 resolutions.

This model is popular because of its compact size, despite the large displays. You can have two 23" displays fold up to fit into a compact 2U space.

FEATURES

- **Two 17.3", 19", or 23" Screens for a combined 3840x1080 or 2560x1024 resolution**
- **2U Rack Mount, 30" Deep**
- **Independent Display Controllers**
- **Auxiliary Pass Through USB**



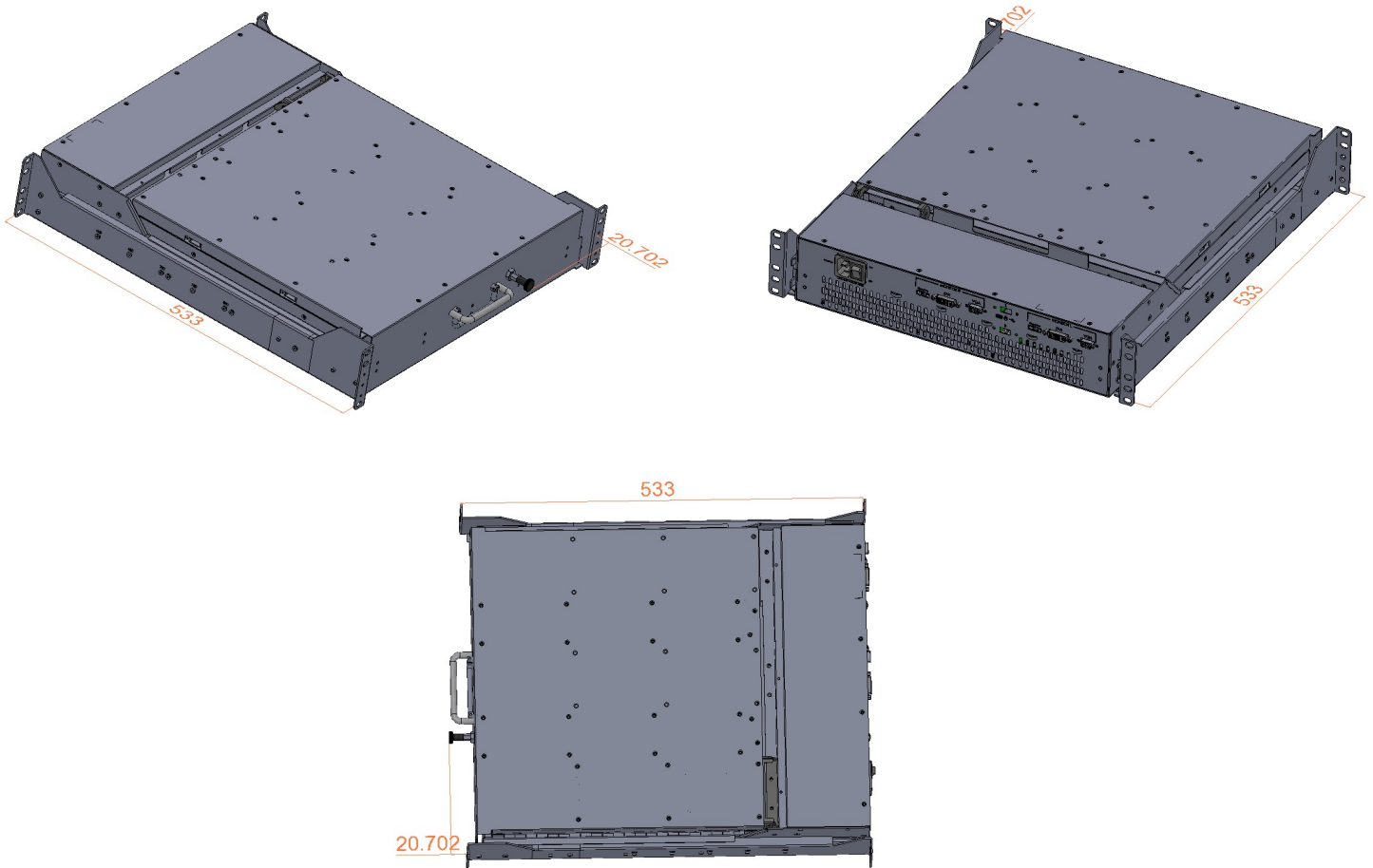
SPECIFICATIONS

Display	Option 1: 2x 17.3", 16:9 Display 1920x1080 Option 2: 19", 5:4 Display 1280x1024
Display Deployment	Displays rotate up from stowed position, rotate & open via butterfly action and
Display Tilt	Displays tilt ~10° from vertical for optimal operator positioning
Signal Inputs	Analog VGA, DVI-D, Display port for each display
Display Adjustments	Individual brightness, contrast, color temperature adjustments
USB Pass Through	Internal USB 2.0 hub with 2x inputs on the front panel and a single USB 2.0 on the rear
Keyboard	101-key pull out backlit keyboard
Pointing Device	Resistive touchpad
Input Power	115/230 VAC, 50/60Hz, 100W Max
Internal UPS	5-minute backup, internal battery, switch over indicator
Dimensions/Weight	3.5" (2U rack height) x 17.5" W x 26" D / 38 lbs

ENVIRONMENT AND SPECIFICATIONS

Temperature: MIL-STD-810E (501.4, 502.4)	Operating: 0 ~ 50°C Non-Operating: -40 ~ 70°C
Humidity: MIL-STD-810E (507.2)	Relative Humidity: 5% to 95% operating, non-condensing
Altitude: MIL-STD-810E (500.3)	Operating: 15,000 ft (4571.8 m) Non-Operating: 40,000 ft (12,192 m)
Vibration: MIL-STD-810E (514.4)	Operating: 10 to 500 Hz 1.04 g (RMS)
Shock: MIL-STD-810E (516.4)	Operating: 15 G, 8 ms 1/2 sine Non-Operating: 40 G, 8 ms 1/2 sine Drop: 4" stand alone, 39" transit drop in transit case

Mechanical Drawing



Mechanical Drawing

