

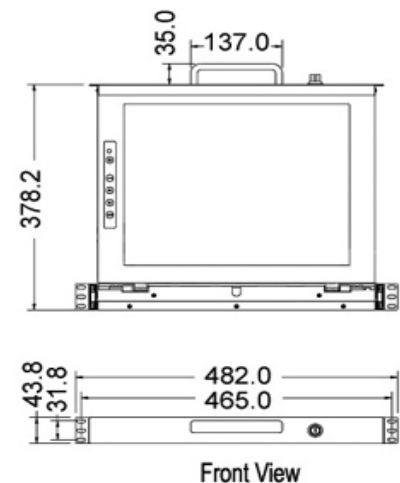
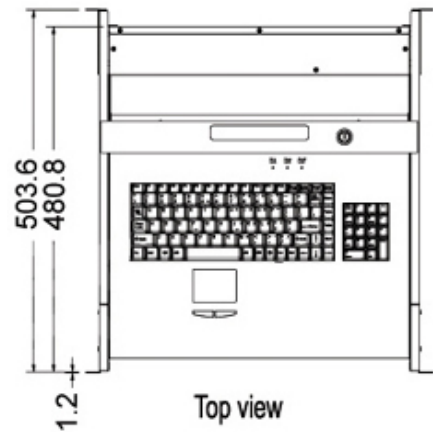
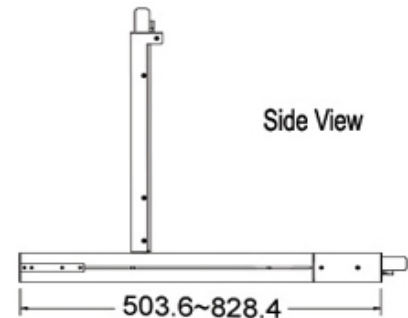


**Model: SDK117-16e**

# SUN Compatible Rackmount 17" LCD Keyboard Console

## Features and Benefits

- Only 1U (1.75" high) of vertical 19" rack-mount space
- SUN Keys: STOP, HELP, AGAIN, PROPS, UNDO, FIND, OPEN, COPY, CUT, PASTE and FRONT
- The screen will sync with most SUN Resolution, including 1152 x 900 @ 66 or 76 Hz
- 1280 x 1024 native graphic resolution
- Compatible with SUN, Apple, IBM, DELL, HP and USB Server
- Laptop-style tilting display provides for short pull-out and minimal intrusion into the aisle space in front of the rack.
- High-brightness 300-nit, TFT LCD Panel and high contrast-ratio active TFT LCD flat panel integrated folding display.
- Full 104-keys SUN-compatible keyboard w/ 2-buttons Touchpad
- Industrial-grade heavy-duty steel construction
- Smooth-operating sliding rails that self-lock when pulled all the way out.
- Built-in thumb screws for securing the unit when folded and pushed all the way in.
- Adjustable mounting brackets compatible with SUN rack depths of 24 to 36 inch



## Specification

LCD	
Panel	TFT 17" LCD Panel
Display Type	TFT
Frequency	60Hz
Contrast Ratio	500 : 1
Viewing Angle	150° (H) x 135° (V)
Resolution	1280 x 1024 (Sync with most SUN Resolution, including 1152 x 900 @ 66 or 76 Hz)
Pixel pitch	0.264(H) x 0.264(W) mm
Response Time	Tr=3ms, Tf=10ms (Typ.)
Brightness	300 cd/m2
Panel Color	16.2M
Storage Temp.	-25 - 60°C
Operating Temp.	0 - 50°C
Backlight MTBF	20,000 hours under 20 - 30°C
KVM	
Computer Connectors	16 (SDK117-16e)
Connector	15-pin HDB type, Keyboard, mouse, all-in-1
Cascade Level	8 Levels
Max. Access PCs	128
Input VGA Resolution	1920 x 1440
Power Supply	
Remote Adapter	110V - 220V AC Input 12V 5A Output
Adapter Size	4.3"(L) x 2.4" (W) x 1.2"(H)
Cable Length	6 ft (182cm)
Safety Approval	FCC, CE