



Wide screen LCD display with rubber corners



4 full-length user accessible expansion slots



2x 2.5" removable HDD's



Optional front cover

FEATURES:

- Versatile rugged portable workstation
- 17" ultra high resolution 1920x1200, 16:10 display
- Supports dual Intel Xeon Quad-Core processors
- Optional touchscreen and keyboard
- 3x PCI-X plus 1x PCI-e (x8) expansion slots
- Designed to meet MIL-STD 810F

Introduction:

The BPCW1700-XQ is a versatile compact portable computer platform with multi expansion slots. The BPCW1700-XQ was designed with high mobility in mind and the option to install a variety of PCI-X and PCI-e add-on cards and more. With the latest high performance Quad-Core processors, large capacity storage, and strengthened capacitive touchscreen, the BPCW1700-XQ platform solution is the best choice for your mission critical applications.

The BPCW1700-XQ is constructed with aluminum with shock absorbing rubber corners. Like the rest of ITech portable platforms, the rugged structural design from our engineers has been proven to withstand some of the toughest environments. Shock, vibration and other critical environmental requirements have been thoroughly considered during our designing process. The BPCW1700-XQ outperforms the competition with power, flexibility and toughness.

Display

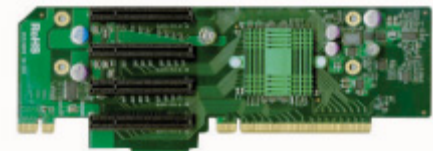
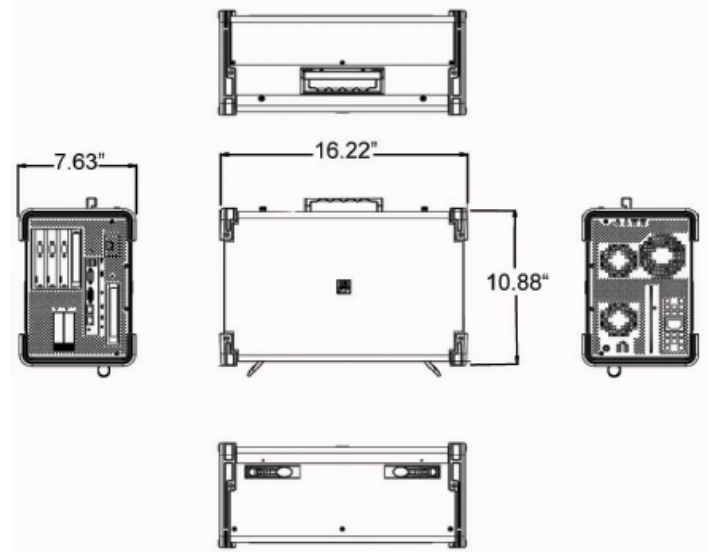
Diagonal	17", 16:10 Wide Display
LCD Resolution	1440x900(1920x1200)
Brightness	400 nits
Contrast Ratio	600:1
Backlight MTBF	10K Hours

Compliance

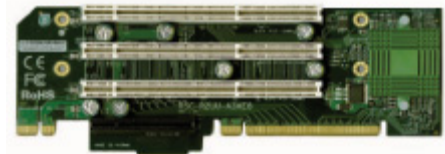
Quality	ISO 9001
Approvals	CE, FCC, CCC, ROHS
Shock	Operating: 10g, 11ms, Half-Sine Non-Op: 30g, 11ms, Half-Sine
Vibration	Operating: 10-500Hz (0.4Grms) Non-Op: 10-500Hz

Specifications

Model	BPCW1700-XQ
Chipset	Intel 5100
Slot	4x PCI-e (x8), 1x PCI-e (x8 internal) or 3x PCI-X, 1x PCI-e (x8), 1x PCI-e (x8 internal)
IDE	No
RAID Internal	Onboard 0/1/5/10
CPU	2x Intel Xeon L5410 2.33GHz (Quad Core)
Memory	8GB DDR2 ECC (max. 48GB)
Audio	No
USB 2.0	4x external
LAN	2x Gb Intel 82573L
Power	400W, 110-220VAC, 50/60Hz
VGA	ATI ES1000
O/S	Window XP Pro
HDD	1x250GB SATA 2.5"
Optical	DVD-RW
Drive Bay	2x 2.5" Removable, 1x 2.5" Internal
Dimension/ Weight	16.22"W x 10.88"H x 7.63"D /19 LBs



4 x PCI-e



3 x PCI-X and 1 x PCI-e

