

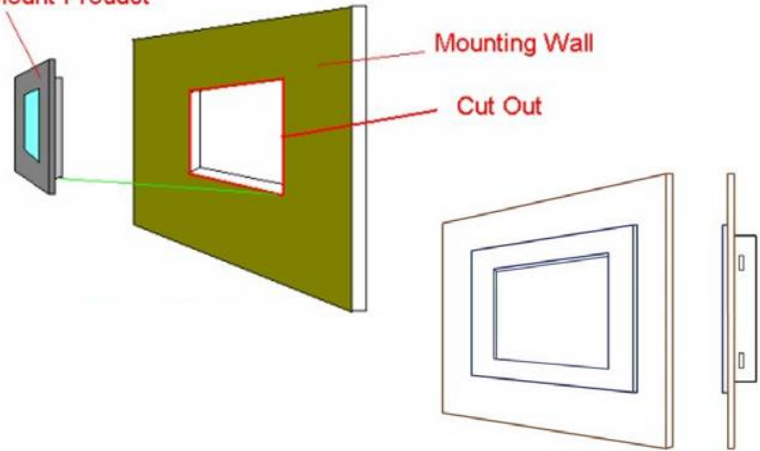
In Wall Front/Flash mount All-one-PC Touch for Hotel/Bank/Lobby/Elevator.



In Wall Front/Flash mount front Bezel In Hotel/Bank/Lobby/Elevator. All in one PC Widescreen Display Chassis Mount, 27" LCD monitor, 1920 x 1080, 380 nits, Intel® Core™ DH67CF +i5-2400s quad core solutions, Flex wall mount., 4GB Memory and 250GB HDD. With IR 6 points-touch, Support Windows 7 ,Windows XP,MacOS (Snow Leopard, Lion), Ubuntu 10.10, Linux kernel 2.6.35-2.6.39. Included Low profile Wall Mount Bracket. **(Model: BIW2700HDi5-OT)**



Panel Mount Product



FEATURES:

- High Performance All in one Intel® Core™ DH67CF +i5-2400s quad core solution
- Multipoint 6-points Infrared IR Touchscreen
- Four Front Mounting holes tool to quickly position display in opening for a flush alignment
- Ultra-thin displays to 2.56" (65mm)
- Easy Removable from the wall offers easy access to the All in one PC and other internal components for easy maintenance and enhanced security
- Low profile Front bezel 0.15" (3.5mm) away from the wall which meets the American with Disabilities Act (ADA) certification
- Supports a wide range of aesthetic options including multiple colors and Stainless steel front bezel
- Built in Speakers, Front IR sensors, Auto Power On/Off.
- Optional for WiFi and Vandal Resistant Glass
- Available size: 24"/26"/27"/32"/42"/46"/55"/65"
- Application Hotel/Bank/Clinic/Health Care/Hospital/Dental/Office Lobby and Elevator advertising LCD displays

Display Specifications – LED PANEL

Active Screen Size	27" (16:9)
Display Area(mm)	575.769(H) x 323.712(V)
Number of Pixels	1920 x 1080
Contrast Ratio	3000 : 1
Colors	16.7M
Brightness(cd/m ²)	350 up to 420
View Angle	R/L178° x U/D178°
Response Time	6.5 ms
Backlight Life Time	50,000/hr

Power

Power Input	100V-240V AC 50/60Hz
Total Power Consumption	54 W

Mechanical Specifications

Operating Temp.	0° - 35°C
Relative Humidity	20-80% RH
Storage Temp.	-20° - 40°C
Dimensions(mm)	662(L)x409(W)x124(D)
Mounting(LxW/mm)	400(L)x100(W)



System Specifications

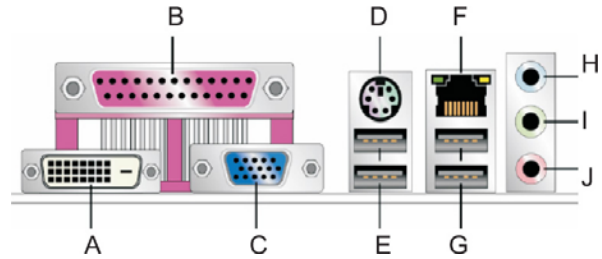
CHIPSET	Intel DH67CF
CPU	With in i5-2400s
DRAM	2G up to 4G
Storage	Space for 2.5" HDD x 1
Expansion	PCI slot x 1 , Mini PCI slot x 1
Fanless / Fan	Fanless
Touch Screen	IR 6 points-touch (option)
Wifi / AR glass	(option)

Accessories

CD x 1
Power Cord x 1
Wall mount x 1
Remote Control x 1
I/O Cover x 1

I/O Ports

- A - DVI-D port
- B - Parallel port
- C - VGA port
- D - PS/2 keyboard/mouse port
- E - USB ports
- F - LAN port
- G - USB ports
- H - Line in
- I - Line out
- J - Mic in



Mechanical Drawings

