

METAL WALL MOUNT HOUSING

IP65 Front All in one PC Widescreen Display Chassis Mount, 32" LCD monitor with PCAP touchscreen, 1920 x 1080, 380 nits, MS-98E1 / i5-6500 / RAM 8GB / SSD 256GB x 2 (Dual SSD in RAID 1 config) / Fanless PC SWOP + Win 10 Pro 64 bit

Model: CCPCW3200HDi5-PCAP

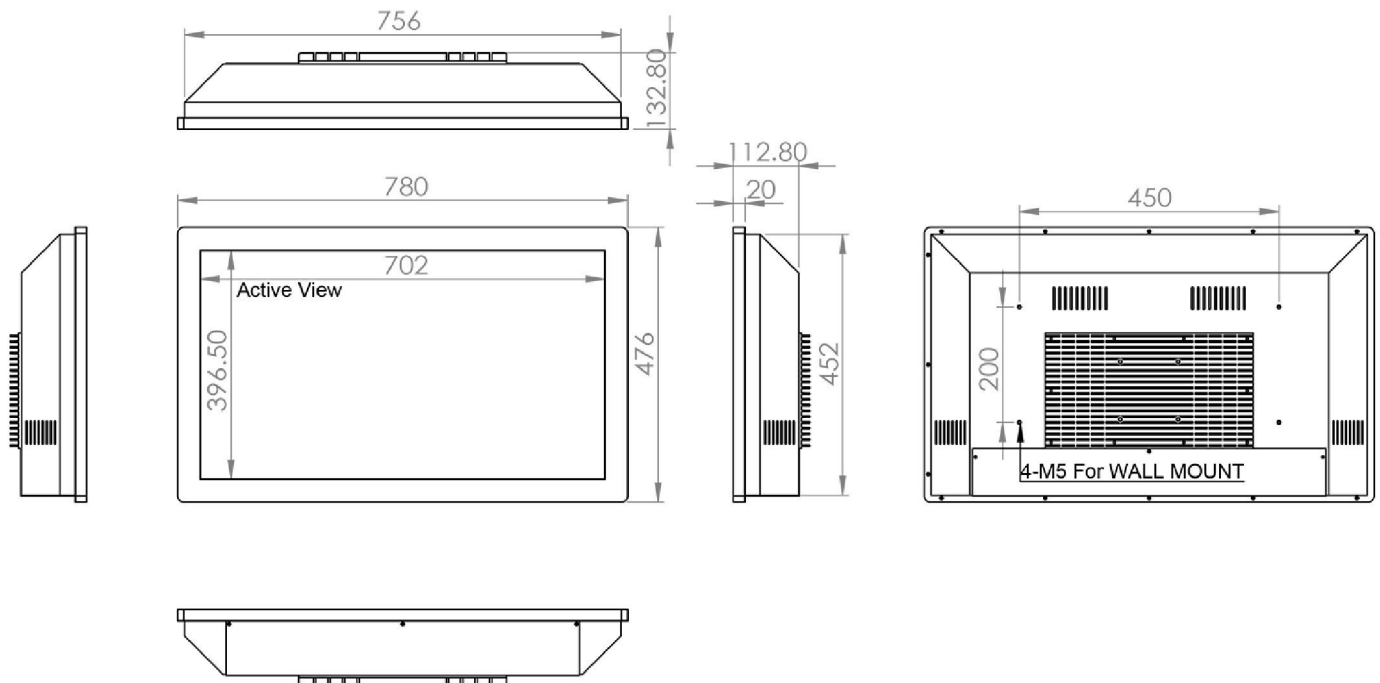
FEATURES

- 31.55" Color TFT-LCD
- 1920x1080 WUXGA Resolution
- 8-bit 2-port LVDS interface
- 3 independent displays with multiple video outputs (LVDS, HDMI, DVI-D, VGA)

LCD SPECS

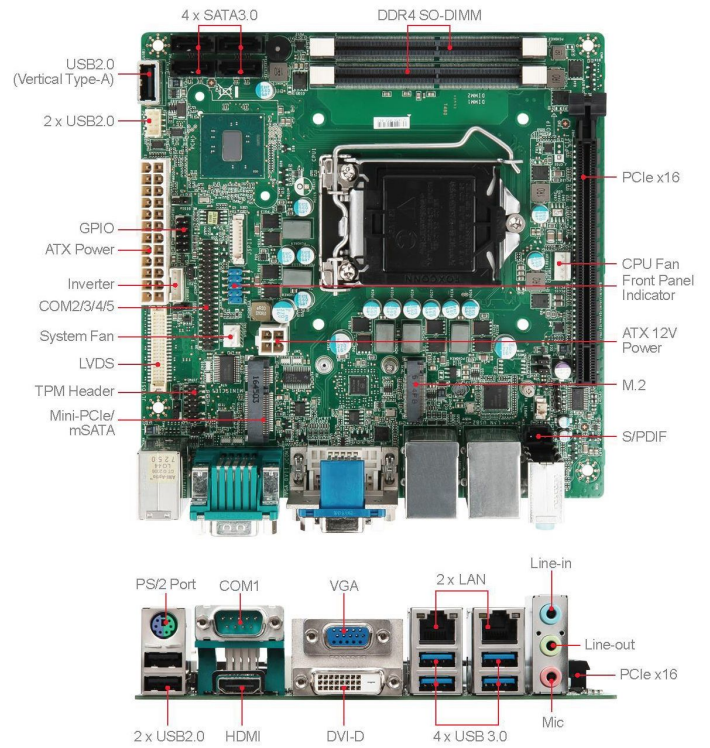
Active Screen Size	31.55 inches(801.31 mm) diagonal
Outline Dimension	723.4(H) × 422.9(V) X 26.3 mm (D) (Typ.)
Pixel Pitch	0.36375 mm x 0.36375 mm
Pixel Format	1920 horiz. by 1080 vert. Pixels, RGB stripe arrangement
Color Depth	8bit, 16.7 Million colors
Luminance, White	400 cd/m2 (Center 1 point ,Typ.)
Viewing Angle (CR>10)	Viewing angle free (R/L 178 (Min.), U/D 178 (Min.))
Power Consumption	Total 36.0W(Typ.) [Logic= 6.3W(Typ.) /8.2W(Max.), BLU=29.7W(Typ.) /31.95W(Max.)]
Weight	3.6Kg(Typ.), 4Kg(Max.)
Display Mode	Transmissive mode, Normally black
Surface Treatment	Hard coating(3H), Anti-glare treatment of the front polarizer, Haze 1%(Typ.)
Possible Display Type	Landscape and Portrait Enabled

MECHANICAL DRAWINGS



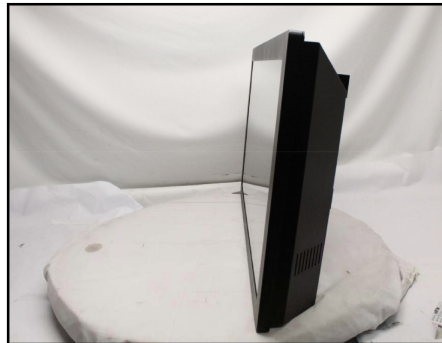
PC SPECS

Processor	CPU	C236 SKU 7th/6th Gen Intel® Desktop Kaby Lake/Skylake Xeon/i7/i5/i3/Pentium®/Celeron Series Processor, Max 80W	H110 SKU 7th/6th Gen Intel® Desktop Kaby Lake/Skylake Core™ i7/i5/i3/Pentium®/Celeron® Series Processor, Max 65W
	Frequency	2.3GHz~4.0GHz (Depends on CPU)	
		2M ~ 8M (Depends on CPU)	
	CPU Type	Socket (LGA 1151)	
	Chipset	Intel® C236 Express	Intel® H110 Express
	BIOS	AMI	
Memory	Technology	Dual-channel DDR4 (ECC) 2133MHz/2400MHz (7th Gen)	Dual-channel DDR4 (non-ECC) 2133MHz/2400MHz (7th Gen)
	Max. Capacity	Up to 32 GB	
	Socket	2 x 260-pin SO-DIMMs	
Display	Controller	Intel® HD Graphics	
	Graphic Memory	Shared system memory up to 1.7 GB SDRAM	
	LVDS	1	
	eDP	N/A	
	VGA	1	
	DVI	1 (DVI-D)	
	HDMI	1	
	Display Port Multiple Display	N/A	
		3 independent displays	2 independent displays
	Display Interface	LVDS up to 1920 x 1200 HDMI up to 3840 x 2160 DVI-D up to 1920 x 1200 VGA up to 1920 x 1200	
Ethernet	Controller	1 x Intel® I219-LM GbE-PHY 1 x Intel® I211-AT PCIe GbE LAN(Co-lay I210-AT)	
	Audio	Realtek® ALC887 HD Audio Codec	
Super I/O	Controller	Fintek F81866AD-I	
H/W Monitor	Watchdog Timer Smart Fan	256-level Watchdog Timer Yes	
TPM	Controller	Pin header	
I/O Interface	USB	4 x USB 3.0 (4 x rear) 4 x USB 2.0 (2 x rear; 2 x internal) 1 x USB 2.0 (Vertical, internal)	
	Serial	5 x COM (1 x rear; 4 x internal) COM1: RS-232/422/485, 0V/5V/12V COM2/3/4/5: RS-232, 0V/5V/12V	
	Parallel	N/A	
	PS/2	1	
	GPIO	8-bits (4 x GPI, 4 x GPO), 5V	
Expansion Slot	PCIe x 16	1	
	M.2	1 x M key (PCIe x4, SATA3.0, 2242)	N/A
	M.2 Mini-PCIe	1 x Full-size, mSATA	
Storage	SATA	4 x SATA 3.0	3 x SATA 3.0
	mSATA	1 (shared w/ Mini-PCIe)	
Power Supply	DC	N/A	
	ATX	ATX-Power 24P, 4P	
Environment	Operating Temperature	12V-0 ~ 60°C	
	Operating Humidity	10 ~ 90%, non-condensing	
	Storage Temperature	-20 ~ 80°C	
	Storage Humidity	10 ~ 90%, non-condensing	
Form Factor	Dimension	170mm x 170mm (Mini-ITX)	
	Weight	0.37 kg	
Certification	EMC	FCC, CE, RCM, VCCI, BSMI	
Software Platform	OS Support	Windows 7 (32/64-bit) Windows 8.1 (64-bit) Windows 10 (64-bit) Linux Kernel 4.X, support Fedora 23(64Bit) & Ubuntu 16.04 (64Bit) of Kaby Lake-S & Skylake-S	

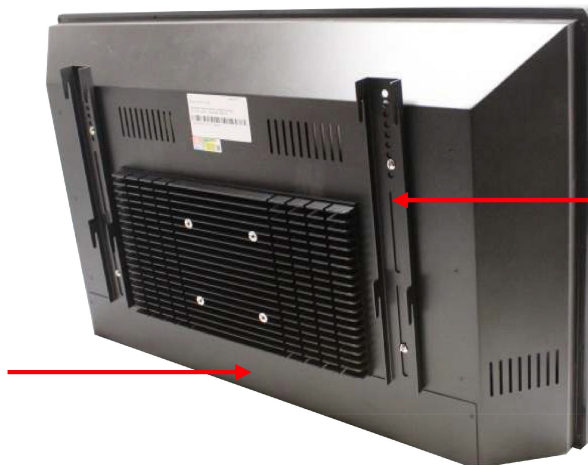


- 3 independent displays with multiple video outputs (LVDS, HDMI, DVI-D, VGA)
- Supports DirectX 11.1 and Intel® Clear Video Technology (up to 1080P)
- 4 SATA 3.0 ports for RAID
- Supports m-SATA function by Mini-PCIe slot
- Plenty USB ports for more peripherals(USB3.0*4, USB2.0*4, Vertical Type USB2.0*1)
- 2 independent displays with multiple video outputs (LVDS, HDMI, DVI-D, VGA)
- Supports DirectX 11.1 and Intel® Clear Video Technology (up to 1080P)
- 3 SATA 3.0 ports for faster and high-capacity storage
- Supports m-SATA function by Mini-PCIe slot
- Plenty USB ports for more peripherals(USB3.0*4, USB2.0*4, Vertical Type USB2.0*1)

PICTURES



Protective cover to prevent any unnecessary access



Included Wall Mount Bracket

