

METAL WALL MOUNT HOUSING

IP65 Front All in one PC Widescreen Display Chassis Mount, 32" LCD monitor with PCAP touchscreen, 1920 x 1080, 380 nits, MS-98E1 / i5-6500 / RAM 8GB / SSD 256GB x 2 (Dual SSD in RAID 1 config) / Fanless PC SWOP + Win 10 Pro 64 bit

Model: TP32T-i5-PCAP

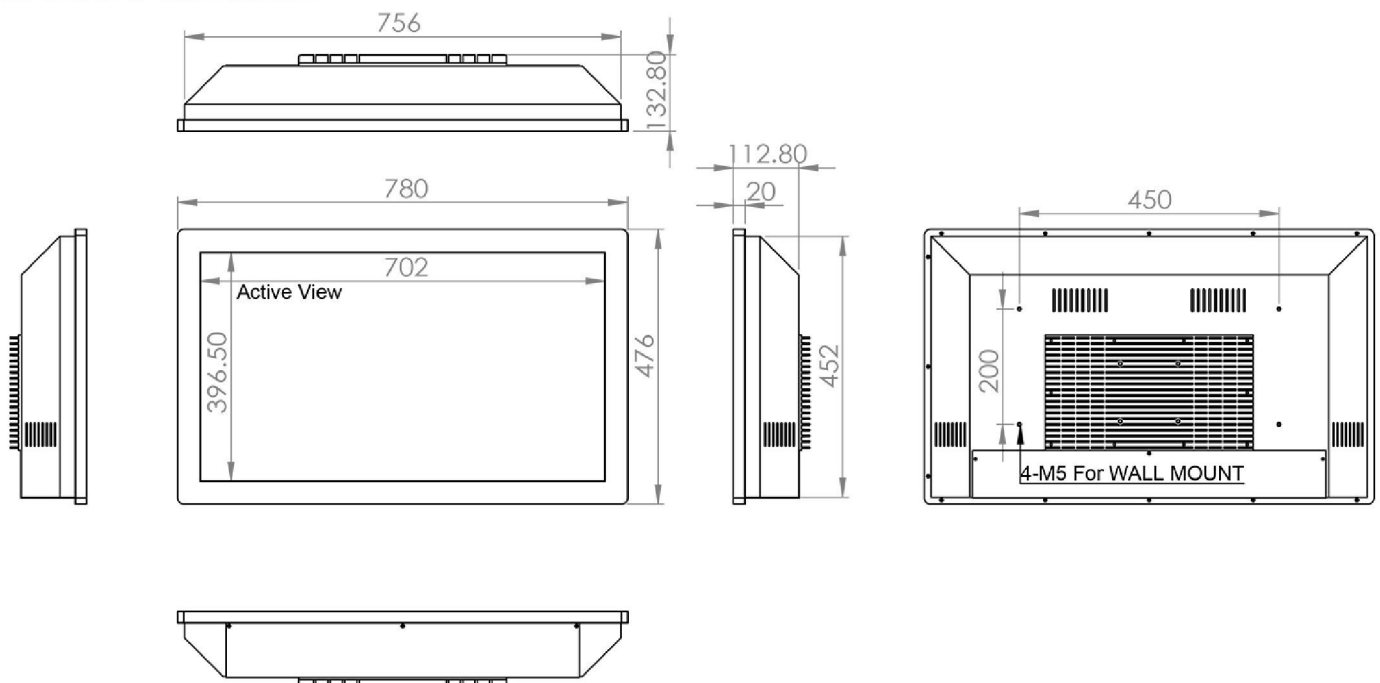
FEATURES

- 31.55" Color TFT-LCD
- 1920x1080 WUXGA Resolution
- 8-bit 2-port LVDS interface
- 3 independent displays with multiple video outputs (LVDS, HDMI, DVI-D, VGA)

LCD SPECS

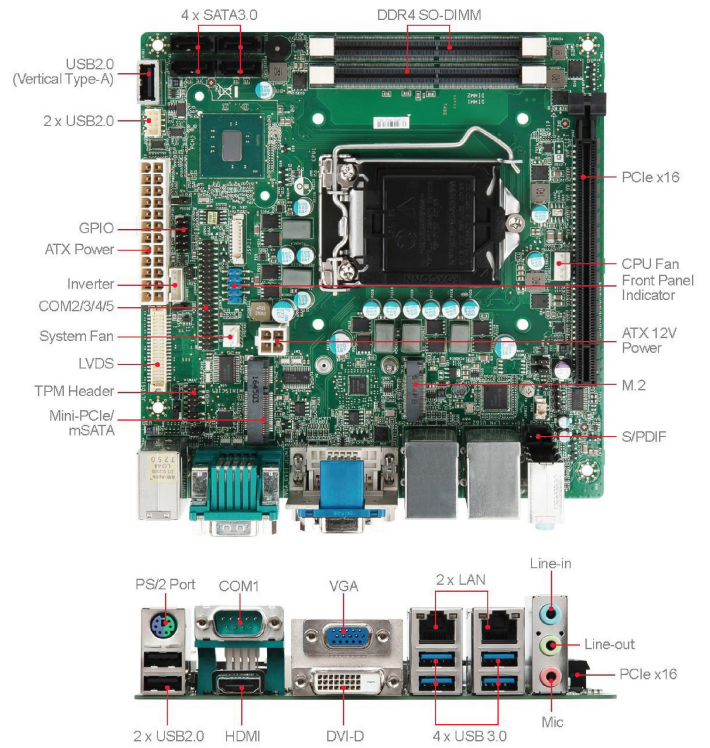
| | |
|-----------------------|--|
| Active Screen Size | 31.55 inches(801.31 mm) diagonal |
| Outline Dimension | 723.4(H) × 422.9(V) X 26.3 mm (D) (Typ.) |
| Pixel Pitch | 0.36375 mm x 0.36375 mm |
| Pixel Format | 1920 horiz. by 1080 vert. Pixels, RGB stripe arrangement |
| Color Depth | 8bit, 16.7 Million colors |
| Luminance, White | 400 cd/m2 (Center 1 point ,Typ.) |
| Viewing Angle (CR>10) | Viewing angle free (R/L 178 (Min.), U/D 178 (Min.)) |
| Power Consumption | Total 36.0W(Typ.) [Logic= 6.3W(Typ.) /8.2W(Max.), BLU=29.7W(Typ.) /31.95W(Max.)] |
| Weight | 3.6Kg(Typ.), 4Kg(Max.) |
| Display Mode | Transmissive mode, Normally black |
| Surface Treatment | Hard coating(3H), Anti-glare treatment of the front polarizer, Haze 1%(Typ.) |
| Possible Display Type | Landscape and Portrait Enabled |

MECHANICAL DRAWINGS



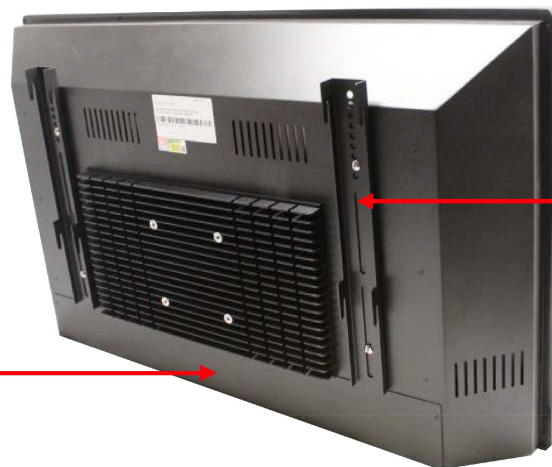
PC SPECS

| | | | |
|--------------------------|-------------------------------|--|---|
| Processor | CPU | C236 SKU 7th/6th Gen Intel® Desktop Kaby Lake/Skylake Xeon/i7/i5/i3/Pentium®/Celeron Series Processor, Max 80W | H110 SKU 7th/6th Gen Intel® Desktop Kaby Lake/Skylake Core™ i7/i5/i3/Pentium®/Celeron® Series Processor, Max 65W |
| | Frequency | 2.3GHz~4.0GHz (Depends on CPU) | |
| | | 2M ~ 8M (Depends on CPU) | |
| | CPU Type | Socket (LGA 1151) | |
| | Chipset | Intel® C236 Express | Intel® H110 Express |
| | BIOS | AMI | |
| Memory | Technology | Dual-channel DDR4 (ECC) 2133MHz/2400MHz (7th Gen) | Dual-channel DDR4 (non-ECC) 2133MHz/2400MHz (7th Gen) |
| | Max. Capacity | Up to 32 GB | |
| | Socket | 2 x 260-pin SO-DIMMs | |
| Display | Controller | Intel® HD Graphics | |
| | Graphic Memory | Shared system memory up to 1.7 GB SDRAM | |
| | LVDS | 1 | |
| | eDP | N/A | |
| | VGA | 1 | |
| | DVI | 1 (DVI-D) | |
| | HDMI | 1 | |
| | Display Port Multiple Display | N/A | |
| | | 3 independent displays | 2 independent displays |
| | Display Interface | LVDS up to 1920 x 1200 HDMI up to 3840 x 2160 DVI-D up to 1920 x 1200 VGA up to 1920 x 1200 | |
| Ethernet | Controller | 1 x Intel® I219-LM GbE-PHY 1 x Intel® I211-AT PCIe GbE LAN(Co-lay I210-AT) | |
| Audio | | Realtek® ALC887 HD Audio Codec | |
| Super I/O | Controller | Fintek F81866AD-I | |
| H/W Monitor | Watchdog Timer Smart Fan | 256-level Watchdog Timer Yes | |
| TPM | Controller | Pin header | |
| I/O Interface | USB | 4 x USB 3.0 (4 x rear) 4 x USB 2.0 (2 x rear; 2 x internal) 1 x USB 2.0 (Vertical, internal) | |
| | Serial | 5 x COM (1 x rear; 4 x internal) COM1: RS-232/422/485, 0V/5V/12V COM2/3/4/5: RS-232, 0V/5V/12V | |
| | Parallel | N/A | |
| | PS/2 | 1 | |
| | GPIO | 8-bits (4 x GPI, 4 x GPO), 5V | |
| Expansion Slot | PCIe x 16 | 1 | |
| | M.2 | 1 x M key (PCIe x4, SATA3.0, 2242) | N/A |
| | M.2 Mini-PCIe | 1 x Full-size, mSATA | |
| Storage | SATA | 4 x SATA 3.0 | 3 x SATA 3.0 |
| | mSATA | 1 (shared w/ Mini-PCIe) | |
| Power Supply | DC | N/A | |
| | ATX | ATX-Power 24P, 4P | |
| Environment | Operating Temperature | 12V-0 ~ 60°C | |
| | Operating Humidity | 10 ~ 90%, non-condensing | |
| | Storage Temperature | -20 ~ 80°C | |
| | Storage Humidity | 10 ~ 90%, non-condensing | |
| Form Factor | Dimension | 170mm x 170mm (Mini-ITX) | |
| | Weight | 0.37 kg | |
| Certification | EMC | FCC, CE, RCM, VCCI, BSMI | |
| Software Platform | OS Support | Windows 7 (32/64-bit) Windows 8.1 (64-bit) Windows 10 (64-bit) Linux Kernel 4.X, support Fedora 23(64Bit) & Ubuntu 16.04 (64Bit) of Kaby Lake-S & Skylake-S | |



- 3 independent displays with multiple video outputs (LVDS, HDMI, DVI-D, VGA)
- Supports DirectX 11.1 and Intel® Clear Video Technology (up to 1080P)
- 4 SATA 3.0 ports for RAID
- Supports m-SATA function by Mini-PCIe slot
- Plenty USB ports for more peripherals(USB3.0*4, USB2.0*4, Vertical Type USB2.0*1)
- 2 independent displays with multiple video outputs (LVDS, HDMI, DVI-D, VGA)
- Supports DirectX 11.1 and Intel® Clear Video Technology (up to 1080P)
- 3 SATA 3.0 ports for faster and high-capacity storage
- Supports m-SATA function by Mini-PCIe slot
- Plenty USB ports for more peripherals(USB3.0*4, USB2.0*4, Vertical Type USB2.0*1)

PICTURES



Protective cover to prevent any unnecessary access

Included Wall Mount Bracket

