



Model: FOP1040

10.4" Open Frame LCD Monitor

Features

- * RoHS compliant, meet UL, CSA, TUV, FCC B, VCCI B, CE, TCO 99, TUV Ergo, EPA Energy Star certification
- * Kiosks, equipment, and instruments drop-in design
- * Friendly design on various location options of OSD keys
- * Superior viewing angles, contrast ratio, and brightness
- * Sturdy and ventilation consideration structure

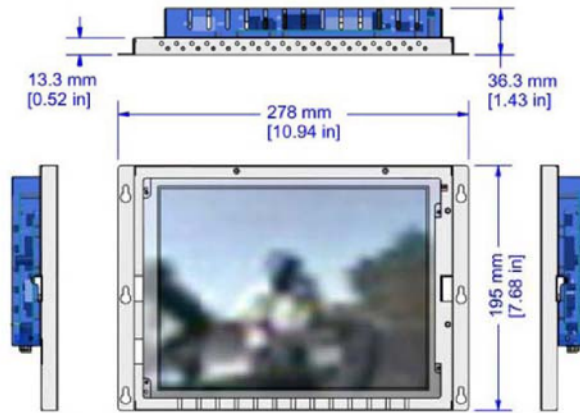
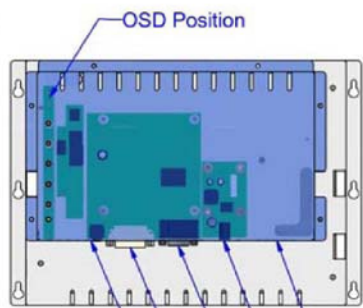


Specifications:

LCD panel	TFT Active Matrix color 10.4 in/ 264 mm diagonal viewable SVGA 800 x 600 resolution (maximum) 0.264 x 0.264 mm pixel pitch 262 thousand displayable colors 230 nit brightness (typical, 80% touch option)	80% brightness uniformity (typical) 500:1 contrast ratio (typical) 35 ms response time (typical at 25oC) 120o (H), 100o (V) viewing angle (typical at CR=10) 20,000 hours MTBF (typical at 25oC)
Video Interface	VGA compatible analog RGB 24-54 kHz horizontal scan 50-90 Hz vertical refresh On-screen display	
Power Management	VESA DPMS standard 5W sleep mode, 30W normal mode 12 V/2.92 A, 35 W, Universal Input Adapter	
Mechanical and Environment	Operation temperature: 0~50oC [32~122oF] Storage temperature: -20~60oC [-4~140oF] Humidity: 85% (maximum) 278 x 195 x 36.3 mm [10.94 x 7.68 x 1.43 inch] 1.1 Kg [2.5 Lb]	

Options

- Durable Resistive, Capacitive, and Surface Acoustic Wave touchscreen
- * DVI, Composite Video, BNC video outputs
- * Embedded Stand-Alone or Network MPEG Players



- Touch Screen I/O port
- DC In
- VGA Port
- Option: DVI Port
- Option: Audio Port





Model: FOP1040

10.4" Open Frame LCD Monitor

