

Open Frame LED MONITOR

12" High Brightness Open Frame
LED Monitor (Model: FOP1200HB)

High
Bright
1600nits



Features and Options

- Compliant with RoHS, UL, CSA, TUV, FCC B, VCCI B, CE TCO 99, TUV Ergo, EPA Energy Star
- Perfect for kiosk, equipment and instrument drop-in designs
- Superior viewing angles, contrast ratio and brightness
- Robust ventilation structure
- Durable Resistive and Surface Acoustic Wave Touchscreen options
- DVI, Composite and BNC video input options
- Compatible with iTechLCD's MP-01, MP-02 signage players

Touchscreen Models

FOP1200HB-RTS-S 5-Wire Resistive RS232 Touch O/F Monitor
FOP1200HB-RTS-U 5-Wire Resistive USB Touch O/F Monitor

FOP1200HB-SAW-S SAW RS232 Touch O/F Monitor
FOP1200HB-SAW-U SAW USB Touch O/F Monitor

Specifications

LED Panel

TFT Active Matrix Color
12.1 inch diagonal viewable
SVGA 800 x 600 resolution (maximum)
0.3075 x 0.3075 mm pixel pitch
262,000 color display
1600 nit brightness (typical, 80-90% with touchscreen)
80% luminance uniformity (minimum)
500:1 contrast ratio (typical at 25°C)
35 ms response time (typical)
±70°L/R, ±60°U/D
50,000 hours MTBF (minimum at 25°C)

Video Interface

VGA compatible analog RGB
24-54 kHz horizontal scan
50-90 Hz vertical refresh
OSD (On Screen Display) keys

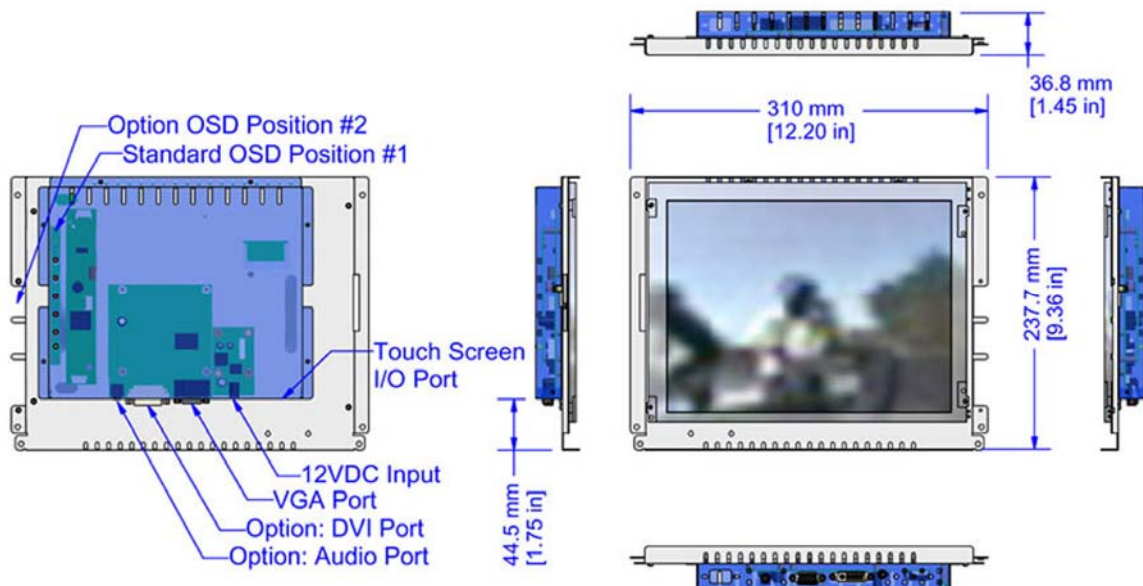
Mechanical and Environment

Operation Temperature: -10~65°C [-14~149°F]
Storage Temperature: -20~65°C [-4~149°F]
Humidity: 80% maximum
310 x 238 x 36.8 mm [12.2 x 9.36 x 1.45 inch]
1.4 kg [3 lbs]

Power Management

VESA DPMS Standard
19.04W normal mode
+2W for Touch Overlay
12V/3.33A, 40W, Universal Input Adapter

Diagram



i-Tech Company LLC

TOLL FREE: (888) 483-2418 • EMAIL: info@iTechLCD.com • WEB: www.iTechLCD.com

