



**Model: FOP8400**

# 8.4" Open Frame LCD Monitor

## Features

- \*RoHS compliant, meet UL, CSA, TUV, FCC B, VCCI B, CE, TCO 99, TUV Ergo, EPA Energy Star certification
- \* Kiosks, equipment, and instruments drop-in design
- \* Friendly design on various location options of OSD keys
- \* Superior viewing angles, contrast ratio, and brightness
- \* Sturdy and ventilation consideration structure

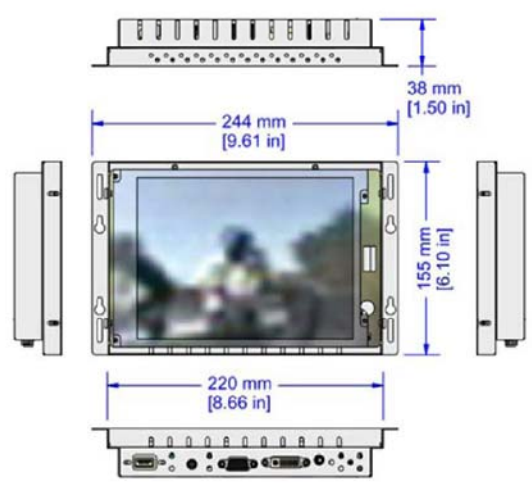
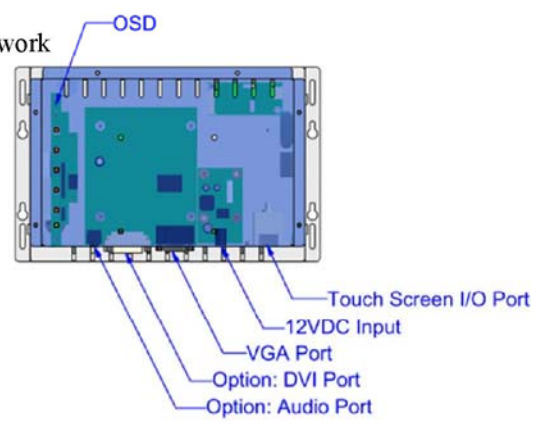


## Specifications:

<b>LCD panel</b>	TFT Active Matrix color 8.4 in/ 213.4 mm diagonal viewable SVGA 800 x 600 resolution (maximum) 0.213 x 0.213 mm pixel pitch 262 thousand displayable colors 220 nit brightness (typical, 80% touch option)	80% brightness uniformity (typical) 500:1 contrast ratio (typical) 35 ms response time (typical at 25oC) 130o (H), 110o (V) viewing angle (typical at CR=10) 20,000 hours MTBF (typical at 25oC)
<b>Video Interface</b>	VGA compatible analog RGB 24-54 kHz horizontal scan 50-90 Hz vertical refresh On-screen display	
<b>Power Management</b>	VESA DPMS standard 5W sleep mode, 30W normal mode 12 V/2.92 A, 35 W, Universal Input Adapter	
<b>Mechanical and Environment</b>	Operation temperature: 0~50oC [32~122oF] Storage temperature: -20~60oC [-4~140oF] Humidity: 85% (maximum) 244 x 155 x 38 mm [9.61 x 6.1 x 1.50 inch] 1 Kg [2.1 Lb]	

## Options

- \* Durable Resistive, Surface Acoustic Wave touchscreen
- \* DVI, Composite Video, BNC video outputs
- \* Embedded Stand-Alone or Network MPEG Players





Model: FOP8400

# 8.4" Open Frame LCD Monitor

