

Full IP66/NEMA 4X Stainless Steel All in One PC/Computer

Rugged Completely Sealed Full IP66/NEMA4X Stainless Steel Chassis/Surface Mount, 19" Normal Brightness 1000 nits, 1280x1024 with 5 Wire Resistive Touch Screen +**JIMB-1900-2L (J1900) / RAM 4GB (0C~70C) / SSD 256GB (0C ~70C) "+Power x1, VGA x 1 output, RS232 x 1 + Audio x 1, LAN x 1, USB x 2 Default 7 set waterproof connectors Waterproof connectors & cables with external 100~240V AC + adapter



MODEL: CCH1900HB-SIP-J-TR

USB INPUT IS OPTIONAL FOR TOUCHSCREEN

FEATURES:

- High Contrast color TFT LCD Monitor support resolution up to (1280 x 1024)
- Widely used in chemical industry, food industry, medical devices, appliances etc. with good corrosion resistance



All in one PC with touch Included IP water proof connectors and cables



Power, USB, COM, VGA, LAN and Audio out



For outdoor used integrated with pressure release valve.



Optional for front Light Sensor for High brightness LCD



Standard external Power adapter, standard I/O Water proof cable: 1 x VGA, Power x1 6ft long



OSD

SPECIFICATIONS:

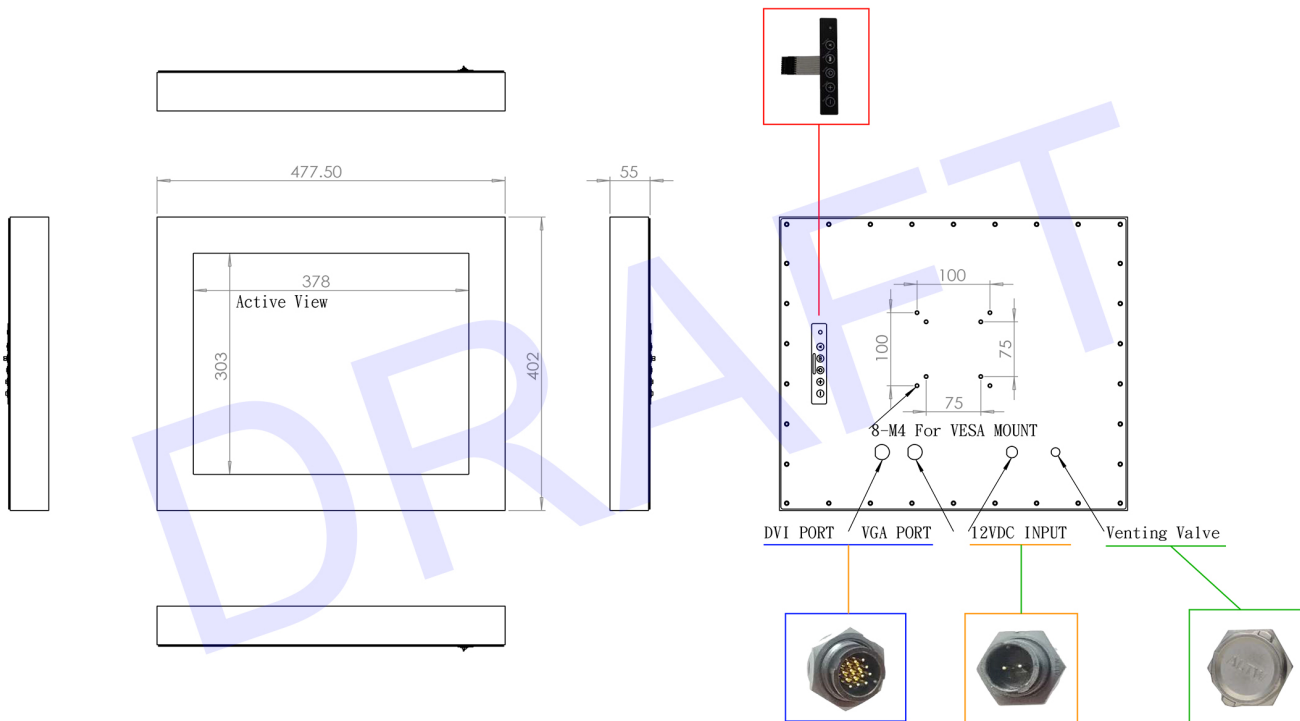
Display	Viewing Size Image	19"
	Active Display Area (mm)	378(H) x 303 (V)
	Pixel Pitch (mm)	0.294 (H) x 0.294(V)
	Resolution	1280 x 1024
	Contrast Ratio	2000 : 1 (typ.)
	Color	16.7M (8bits/colors)
	Brightness	1000 cd/m ²
	Viewing Angle	-89~89 (H) ; -89~89(V)
	Recommended Resolution	1280 x 1024 @ 60Hz, 75 Hz
	Signal Connector	VGA
Power	Source	12V DC in, with External AC-DC Adapter(100-240V)
	Consumption	51W typical, normal operation
	Management	VESA DPMS Compliant
Optional	Touch	PCAP
	High Brightness	1000,1500
	Auto Dimming	YES
	POWER in	DC24V,DC 9V~36V
	Remote Control	YES
	IO	AV,HDMI,DP



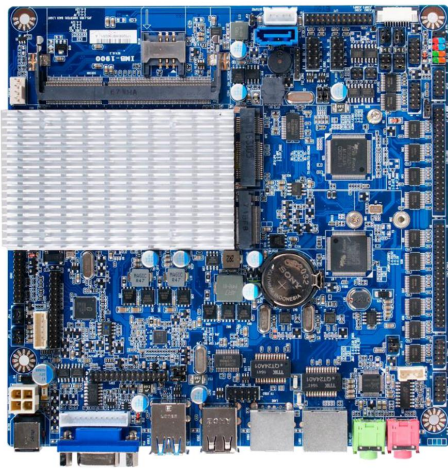
*Specifications subject to change without notice, not responsible for typographical errors.

MECHANICAL DRAWING:

This is subject to change without Notice. Final Drawings Will be Provided for Approval after Order.



PC SPECIFICATIONS



- Intel® Celeron™ J1900 (2.0 GHz) quad-core processor
- Support DirectX 11 3D Graphics Acceleration
- Support DDR3L 1333
- Integrated HD Audio CODEC
- Support 2*PCI Express Gigabit LAN
- Support Power Onboard(12V)
- Onboard 1* MiniPCI-E connector
- Onboard 1* M.2 connector(2242/2260)
- 2 Phase CPU Power Support
- Support 1* USB3.0, 9* USB2.0
- Support 12* COM(COM1/2 Support RS232/422/485)
- Support Amplifier function(3W)
- Support Thunder Protection Function
- Thin mini ITX Form Factor(170mm X170mm)



CPU-Chipset	INTEL® Celeron™ J1900 (2.0 GHz) quad-core processor
I.O Chipset	2 Phase CPU Power Support
	FINTEK F81866AD-I
Memory	1*SO-DIMM slot
	Support DDR3L 1333
	Max. capacity of system memory up to 8GB
Expansion Slots	1* Mini PCI-E connector
Storage	1* Serial ATA2 3Gb/s connector
	1* M.2 Connector(2242/2260)
Audio	ALC662 Audio CODEC
Ethernet LAN	HD Audio CODEC REALTEK® RTL8111G Chip
LVDS	2* PCI Express Gigabit LAN
	Onboard 24-bit Dual channel(Co-Lay EDP)
USB	1* USB3.0 Port
	9* USB 2.0 (3 distribute in back panel, 6 distribute in mid-board)
Special Features	Support CPU Smart Fan
	Support Watch dog Technology
	Support GPIO Technology
	Support VGA header
	Support HDIM header
	Support Power On board
	Support Amplifier function(3W)
	Support 2*RS422/RS485/RS232 COM ports
	COM 1/COM2 Support 5V/12V TTL
	Thunder Protection Function
	All Solid Capacitor design
All Power Pack MOSFET design	
Back Panel I / O	1* USB3.0 port
	3* USB 2.0 ports
	2* RJ-45 ports
	1* Line-out connector
	1* MIC
	1* VGA port (Max. Resolution: 1920*1200@60Hz)
	1* 12V DC in

Internal I / O	3* USB 2.0 headers for 6 USB 2.0 ports
	1 * CPU / Chassis Fan connectors
	12* COM headers(COM1/COM2 For RS422/RS485/RS232 and TTL)
	1* Parallel header
	1* PS2/KB header
	1* 4-pin ATX 12V Power connector
	1* 4-pin SATA Power connector
	1* 12-pin VGA header (Max. Resolution: 1920*1200@60Hz)
	1* 20-pin HDMI header (Max. Resolution: 1920*1200@60Hz)
	1* 24-bit Dual Channel LVDS header (Max. Resolution: 1920*1200@60Hz)
	1* GPIO header
	1* Mini PCI-e connector
	1* M.2 Connector(2242/2260)
	1* SATA Connector
	1* Speaker header(Amplifier function 3W)
	1* Front panel header
1* SIM Card socket	
BIOS	AMI 64MB SPI ROM
Temperature	Operating: 0°C ~ 70°C Storage: -20°C ~ 85°C
Form Factor	Thin mini ITX Form Factor(170mm X 170mm)
Accessory	SATA Cable SATA Power cord COM Cable I/O Shield
OS Support	Windows 7 (32/64-bit), Windows 8.1 (32/64-bit), Windows 10 (32/64 Bit) Windows Server 2012R2, Windows Server 2016, Windows Server 2019 Linux: Cent OS, Debian, Fedora, OpenSUSE, Ubuntu, pfSense, FreeNAS, RedHat