



7" LCD Monitor, 800x480, 400 nits VGA + DVI Input
Rear OSD, VESA Mounting

Model: CCH0700

FEATURES:

- High Contrast color TFT LCD Monitor support resolution up to WVGA (800 x 480)
- Power management system conforms to VESA DPMS and EPA Energy Star standards.
- Full consideration for touch screen installation and application.
- Universal Power adapter.
- Support DDC1 & DDC2B for Plug & Play compatibility.
- Advanced OSD control for picture quality adjustment.
- Detachable stand for wall-mounting application.
- Heavy duty Monitor with steel frame.
- Custom design by request.

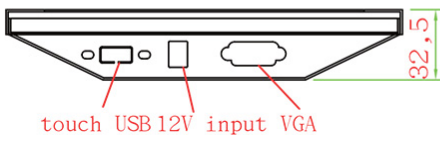
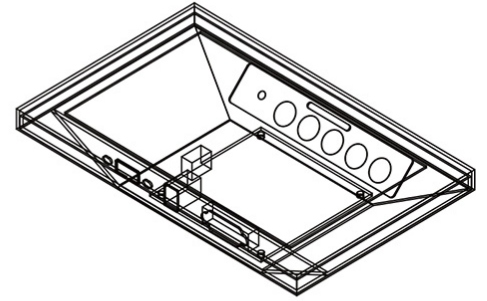
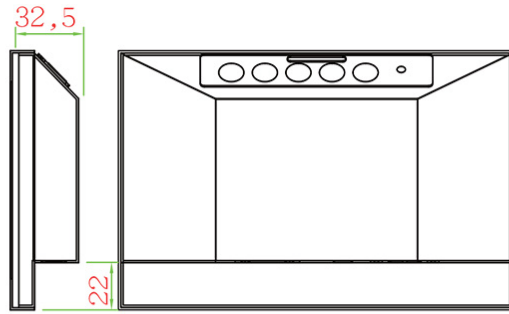
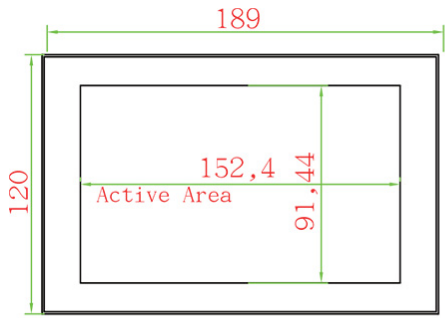
SPECIFICATIONS:

Display	Viewing Size Image	7"
	Active Display Area (mm)	152.4(H) x 91.44 (V)
	Pixel Pitch (mm)	0.1905(H)x0.1905(V)
	Resolution	800x480
	Contrast Ratio	500 : 1 (typ.)
	Color	R.G.B Stripe
	Brightness	400 cd/m2
	Viewing Angle	-80~80 (H) ; -60~80 (V)
	Recommended Resolution	800x480@ 60Hz
	Signal Connector	VGA,DVI
Power	Source	12V DC in, with External AC-DC, Adapter(100-240V)
	Consumption	8W typical, normal operation
	Management	VESA DPMS Compliant
Optional	Touch	Resistive, PCAP
	High Brightness	1000,1500
	Auto Dimming	YES
	POWER in	DC24V,DC9V~36V
	Remote Control	YES
	IO	AV,HDMI,DP

APPLICATIONS:



MECHANICAL DRAWING:



Unit:mm