



8.4" LCD Monitor, 800x600, 450 nits VGA + DVI Input  
Rear OSD, VESA Mounting

**Model: CCH0840**

## FEATURES:

- High Contrast color TFT LCD Monitor support resolution up to SVGA ( 800 x 600 )
- Power management system conforms to VESA DPMS and EPA Energy Star standards.
- Full consideration for touch screen installation and application.
- Universal Power adapter.
- Support DDC1 & DDC2B for Plug & Play compatibility.
- Advanced OSD control for picture quality adjustment.
- Detachable stand for wall-mounting application.
- Heavy duty Monitor with steel frame.
- Custom design by request.

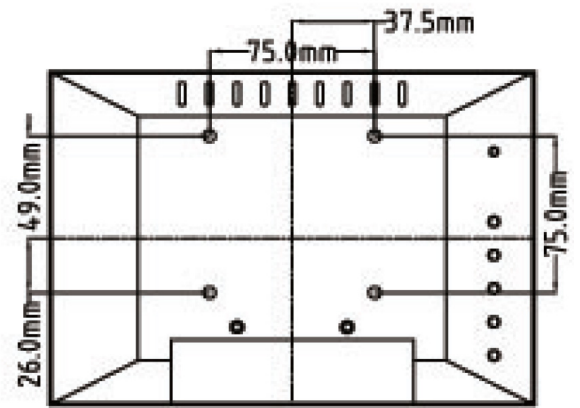
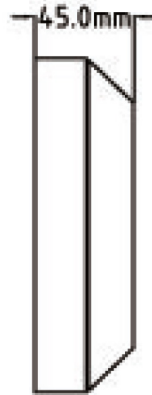
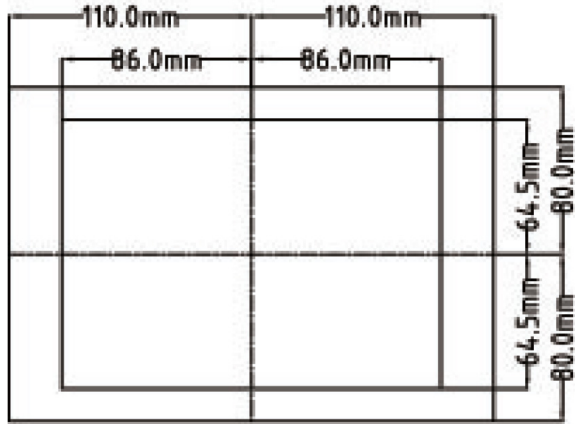
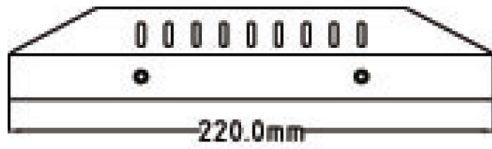
## SPECIFICATIONS:

<b>Display</b>	Viewing Size Image	8.4"
	Active Display Area (mm)	170.4 (H) x 127.8 (V)
	Pixel Pitch (mm)	0.213 x 0.213
	Resolution	800 x 600
	Contrast Ratio	600 : 1 (typ.)
	Color	16.2M (8bits / color)
	Brightness	450 cd/m2
	Viewing Angle	-80~80 (H) ; -60~80 (V)
	Recommended Resolution	800 x 600 @ 60Hz, 75Hz
	Signal Connector	VGA,DVI
<b>Power</b>	Source	12V DC in, with External AC-DC, Adapter(100-240V)
	Consumption	15W typical, normal operation
	Management	VESA DPMS Compliant
<b>Optional</b>	Touch	Resistive, PCAP
	High Brightness	1000,1500
	Auto Dimming	YES
	POWER in	DC24V,DC9V~36V
	Remote Control	YES
	IO	AV,HDMI,DP

## APPLICATIONS:



# MECHANICAL DRAWING:



UNIT:mm