

INDUSTRIAL CHASSIS/WALL MOUNT HEAVY DUTY METAL HOUSING

Front Water and dust Proof IP65/NEMA 4 with IP65 Solid Back housing except I/O. 15" LCD monitor, 1024x768, 250 nits VGA + DVI Input, Side OSD with 5 Wire Resistive Touch Screen and USB controller+12 VDC External power supply 100-240 VAC 50-60Hz included

Model: CCH1500IP-TR



Rugged IP65/NEMA4X Industrial touch screen monitor, iTech is the perfect solution for Dusty and Wet industrial environments. Heavy duty Metal housing with powder coating and affordable.

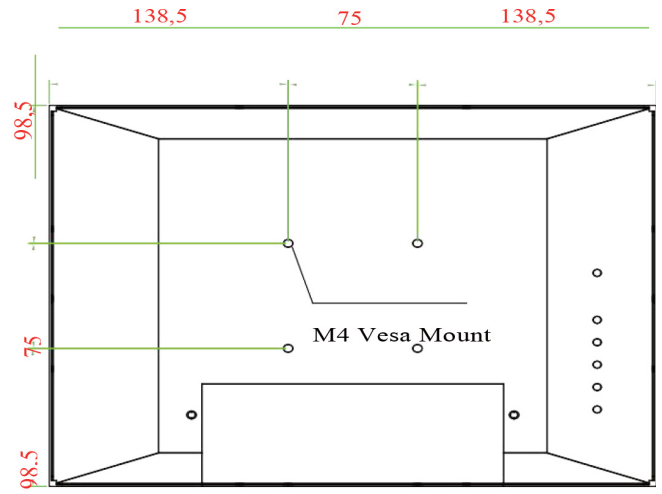
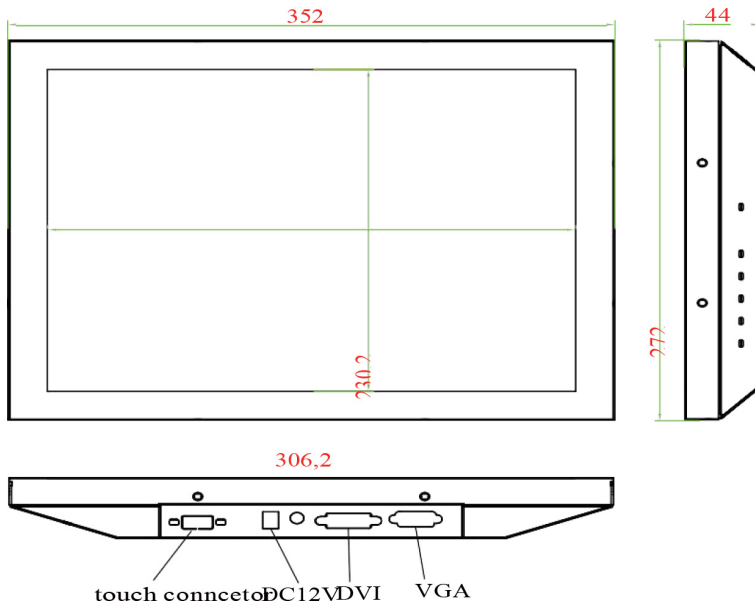
FEATURES:

- High Contrast color TFT LCD Monitor support resolution up to XGA (1024 x 768)
- Power management system conforms to VESA DPMS and EPA Energy Star standards.
- Full consideration for touch screen installation and application.
- Universal Power adapter.
- Support DDC1 & DDC2B for Plug & Play compatibility.
- Advanced OSD control for picture quality adjustment.
- Detachable stand for wall-mounting application.
- Heavy duty Monitor with steel frame.
- Front IP64/NEMA4X Optional with PCAP or 5 Wire Resistive Touch Screen Options
- IP65 Solid Back housing except I/O and VESA mouting
- Custom design by request.

SPECIFICATIONS:

Display	Viewing Size Image	15"
	Active Display Area (mm)	304.1 (H) x 228.1 (V)
	Pixel Pitch (mm)	0.297 (H) x 0.297 (V)
	Resolution	1024 x 768
	Contrast Ratio	700 : 1 (typ.)
	Color	16.7M
	Brightness	350nits
	Viewing Angle	-80~80 (H) ; -70~70 (V)
	Recommended Resolution	1024 x 768 @ 60H, 75Hz
	Signal Connector	VGA,DVI
Power	Source	12V DC in, with External AC-DC Adapter(100-240V)
	Consumption	8.7W typical, normal operation
	Management	VESA DPMS Compliant
	Touch	Resistive, PCAP
Optional	High Brightness	1000,1500
	Auto Dimming	YES
	POWER in	DC24V,DC 9V~36V
	Remote Control	YES
	IO	
		Power: 12 VDC External power supply 100-240 VAC 50-60Hz included
		Touchscreen: USB

MECHANICAL DRAWING:



UNIT:mm

