

INDUSTRIAL CHASSIS/WALL MOUNT METAL HOUSING

20.1" LCD Monitor, 1600x1200, 300 nits VGA + DVI Input
Rear OSD, VESA Mounting

Model: CCH2010

FEATURES:

- High Contrast color TFT LCD Monitor support resolution up to UXGA (1600 x 1200)
- Power management system conforms to VESA DPMS and EPA Energy Star standards.
- Full consideration for touch screen installation and application.
- Universal Power adapter.
- Support DDC1 & DDC2B for Plug & Play compatibility.
- Advanced OSD control for picture quality adjustment.
- Detachable stand for wall-mounting application.
- Heavy duty Monitor with steel frame.
- Custom design by request.

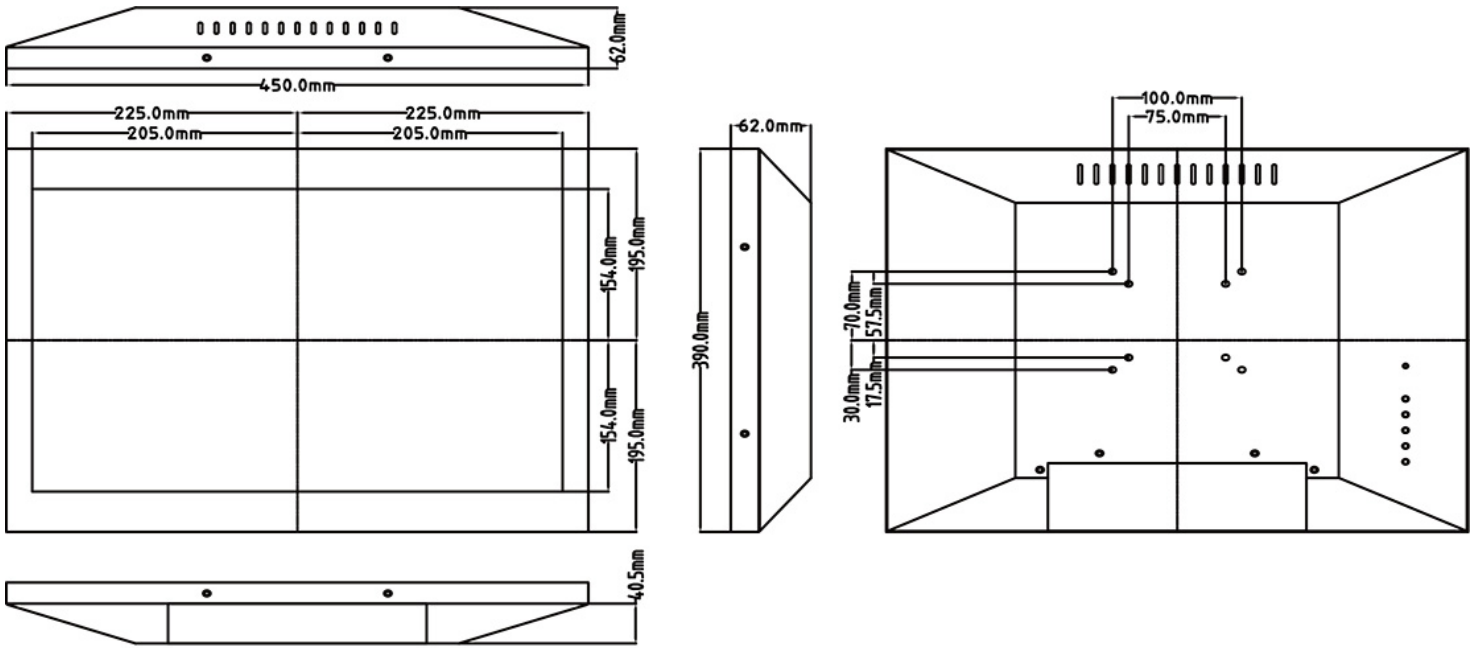
SPECIFICATIONS:

Display	Viewing Size Image	20.1"
	Active Display Area (mm)	432.0 (H) x 331.5 (V) x 25.0 (D)
	Pixel Pitch (mm)	0.255 (H) x 0.255(V)
	Resolution	1600 x 1200
	Contrast Ratio	800 : 1 (typ.)
	Color	16.7M (8bits/colors)
	Brightness	300 cd/m ²
	Viewing Angle	-89~89 (H) ; -89~89 (V)
	Recommended Resolution	1600 x 1200 @ 60Hz
	Signal Connector	VGA,DVI
Power	Source	12V DC in.with External AC-DC Adapter(100-240V)
	Consumption	60W typical, normal operation
	Management	VESA DPMS Compliant
Optional	Touch	Resistive, PCAP ,IR
	High Brightness	YES
	Auto Dimming	YES
	POWER in	DC24V,DC9V~36V
	Remote Control	YES
	IO	AV,HDMI,DP

APPLICATIONS:



MECHANICAL DRAWING:



UNIT:mm