

CHASSIS VESA MOUNT FRONT IP65



24" Wide Front IP65 Industrial Panel Chassis LCD Monitor 1920x1200, 300nits, 89/89/89/89, Resistive Touch with EETI control card, Speakers Table Stand Landscape and Portrait, VESA mount I/O: VGA, HDMI, DP, USB (for Touch use) and 100-240VAC Power Cord

Model: CCHW2400X-TR-ST

FEATURES:

- High Contrast color TFT LCD Monitor support resolution up to FULL HD (1920x1200)
- Power management system conforms to VESA DPMS and EPA Energy Star standards.
- Full consideration for touch screen installation and application.
- Universal Power adapter.
- Support DDC1 & DDC2B for Plug & Play compatibility.
- Advanced OSD control for picture quality adjustment.
- Detachable stand for wall-mounting application.
- Heavy duty Monitor with steel frame.
- Custom design by request.

SPECIFICATIONS:

Active Area	[mm]	533.60 (H)x 301 (V)
Pixels H x V		1920(x3)x1200
Pixel Pitch	[mm]	0.270 (per one triad) x 0.270
Pixel Arrangement		R.G.B. Vertical Stripe
Display Mode		AHVA mode, Normally Black
White Luminance	[cd/m ²]	300 (center, Typ) @ 60mA
Contrast Ratio		1000 : 1 (Typ)
Optical Response Time	[msec]	14 (Typ., on/off)
Power Supply Input Voltage (VDD)	[Volt]	+12V
Weight	[Grams]	2500(Typ)
Physical Size (Hx VxD)	[mm]	569.60 (H)x 337 (V) x 58.60 (D) (Typ)
Electrical Interface		Dual channel LVDS
Surface Treatment		Anti-Glare Treatment
Support Color		1.07B colors
Temperature Range		
Operating	[°C]	0 to +40
Storage (Non-Operating)	[°C]	-20 to +50
RoHS Compliance		RoHS Compliance

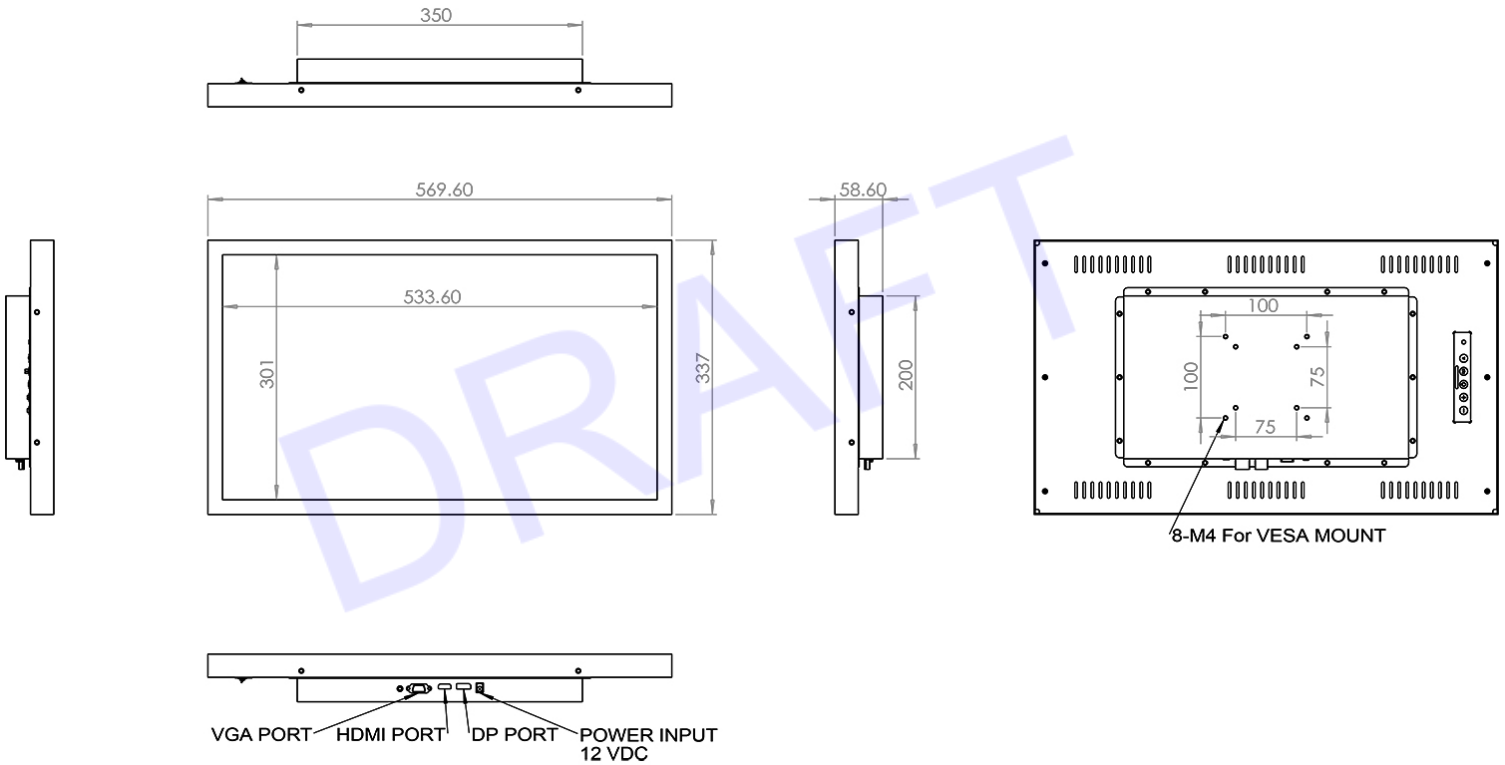
**Specifications subject to change without notice, not responsible for typographical errors.*

APPLICATIONS:



MECHANICAL DRAWING:

This is subject to change without Notice. Final Drawings Will be Provided for Approval after Order.



Drawing No.: CCHW2400X-TR-ST-03022023-V1

TABLE STAND LANDSCAPE AND PORTRAIT

