

INDUSTRIAL METAL CHASSIS WIDESCREEN

43" Wide LCD VESA/Chassis Monitor, 3840 x 2160 / 450 nits, P-CAP with AG coating (10 points) HDMI x 1 and build in Power 100~240VAC power cord with Power on/off switch Black color Metal housing with powder coating, All screws are stainless steel screws. Power consumption: Est. 98W / Est. 30Kg

Model: CCHW4300-4K-PCAP



FEATURES:

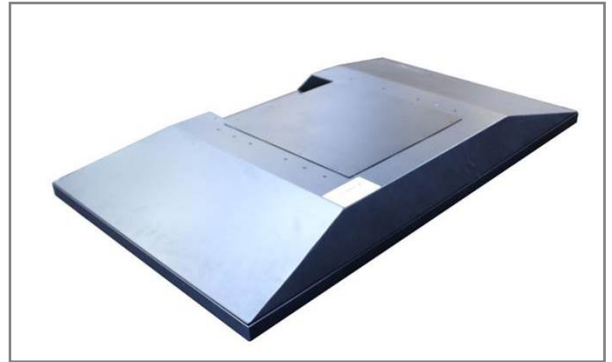
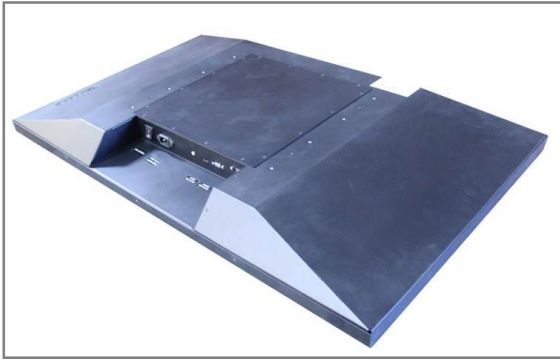
- High Contrast Monitor with resolution up to (3840x2160)
- Modern & Customized Design
- Best sensitivity multi-touch : Projected Capacitive Touch
- High Shock & Vibration Resistance
- Widely Application: Automation, Medical, Tourist, Education...
- Auto Power On: Monitor is always "ON" when connect to power.
- Auto Video Signal On: Monitor (Backlight) will turn off when no video signal, but it will Auto turn back on.

SPECIFICATIONS:

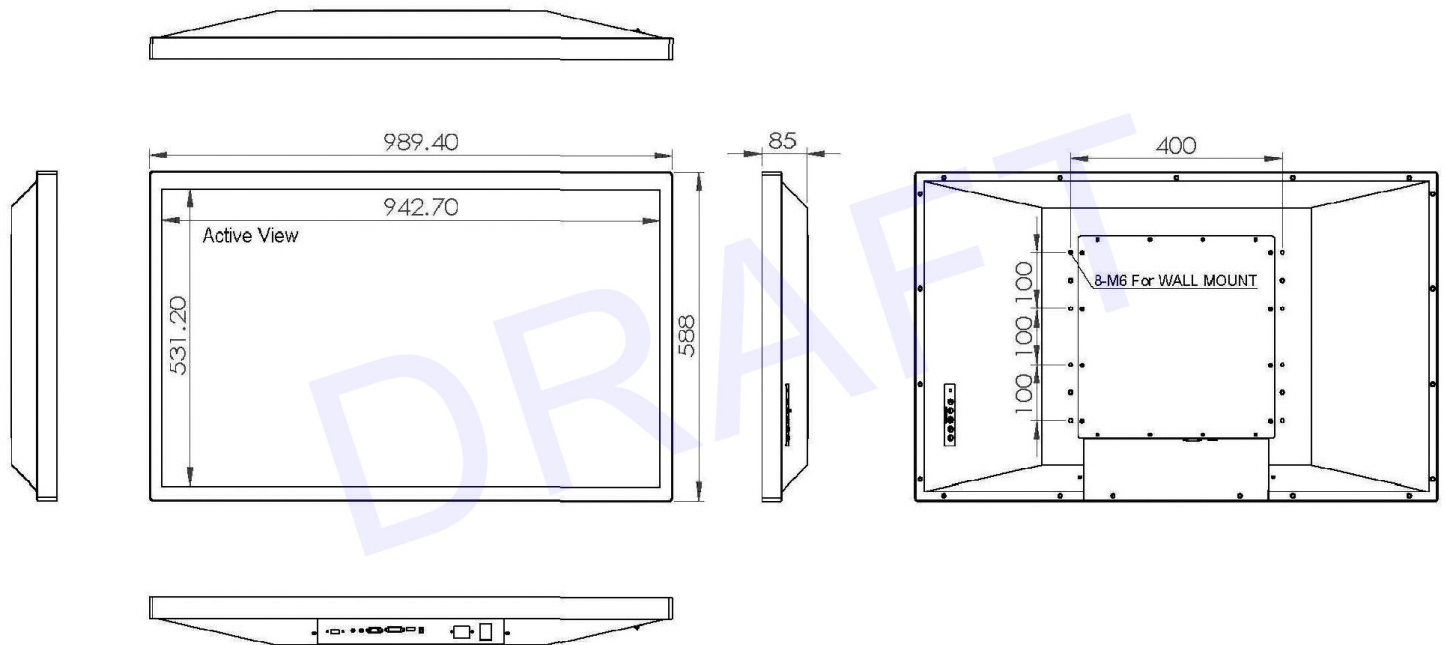
Panel	Cell Type / Glass Surface	TFT LCD / Black Anti-Glare, low reflection coating
	Aspect Ratio / Size	Wide / 43" viewable diagonal area
	Active Area / Pixel Pitch	962.0 (H) x 554.8 (V) mm / 0.2451 mm x 0.2451 mm
	Native Resolution / Colors	3840(H) x 2160(V) / 1.06B
	Brightness / Contrast	450 cd/m ² (typ) / 1000 : 1
	Response Time	< 12ms
	Viewing Angle (typical)	H.178° (- 89° ~ + 89°) , V. 178° (- 89° ~ + 89°)
	Light Source	LED backlight, Long life, 35,000 hrs (typ)
Input Sources	HDMI x1	
Speakers	2W speaker x 2	
Convenient Features	Auto Calibration , Back Light Adjustment , Plug&Play (VESA DDC/CI, DDC 2B) OSD Multi-Languages , Wall Mount Ready (VESA Dimension - please refer to Drawing)	
Power	Internal power supply with universal / Auto-Sensing, AC100 to 240V, 50/60 Hz	
Power Consumption	Operation / Power Saving	Est. 98W
Operating Condition	Temperature / Humidity	0°C ~ 50°C (32°F ~ 122°F) , 10% ~ 90% (no condensation)
Storage Condition	Temperature / Humidity	- 20°C ~ 60°C (- 4°F ~ 140°F) , 10% ~ 90% (no condensation)
Certification	FCC , CE	
Dimensions	Physical	Please refer to Drawing
	Carton	W x H x D = TBD
Weight	N.W. / G.W.	30.5 Kgs / 32.5 Kgs
Container Loaded	20ft / 40ft / 40ft HQ	TBD (Sets , By pallet)

APPLICATIONS:





MECHANICAL DRAWING:



**DRAWINGS FOR REFERENCE: This is subject to change without Notice.
Final Drawings will be provided for Approval after Order.**