

# CHASSIS WALL MOUNT ALL IN ONE PC

32" IP65 Front All in One PC Industrial Panel / Wall Mount, Fanless Design with JNF796V-Q370 / i7-8700, RAM 8GB / SSD 256GB x2 100-240VAC Power Cord + Win 11 Pro 64 bit

**Model: CCPCW3200HDI7-PCAP**



## FEATURES

- 32" Industrial Panel / Fanless Design
- P-CAP Touch / Front IP65
- JNF796V-Q370 / i7-8700 (12M Cache, up to 4.60GHz, 8th Generation Intel Core i7 Processor)
- RAM 8GB / SSD 256GB x2 ( Dual SSD in RAID 1 config )
- 100-240VAC power cord
- Win 11 Pro 64 bit
- Integrated WIFI Antenna

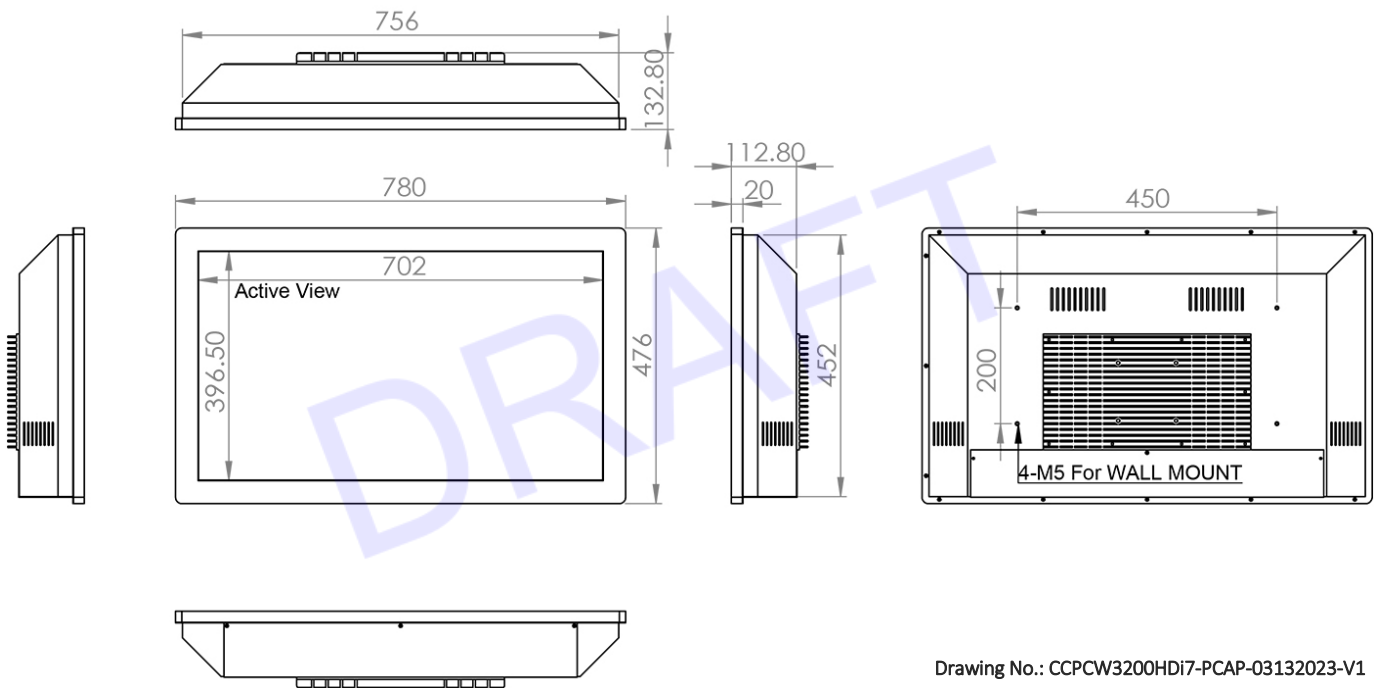
## LCD SPECS

Active Screen Size	31.55 inches(801.31 mm) diagonal
Outline Dimension	723.4(H) × 422.9(V) X 26.3 mm(D) (Typ.)
Pixel Pitch	0.36375 mm x 0.36375 mm
Pixel Format	1920 horiz. by 1080 vert. Pixels, RGB stripe arrangement
Color Depth	8bit, 16.7 Million colors
Luminance, White	350 cd/m2 (Center 1point ,Typ.)
Viewing Angle (CR>10)	Viewing angle free ( R/L 178 (Min.), U/D 178 (Min.))

*\*Specifications subject to change without notice, not responsible for typographical errors.*

## MECHANICAL DRAWINGS

*This is subject to change without Notice. Final Drawings Will be Provided for Approval after Order.*



Drawing No.: CCPCW3200HDI7-PCAP-03132023-V1

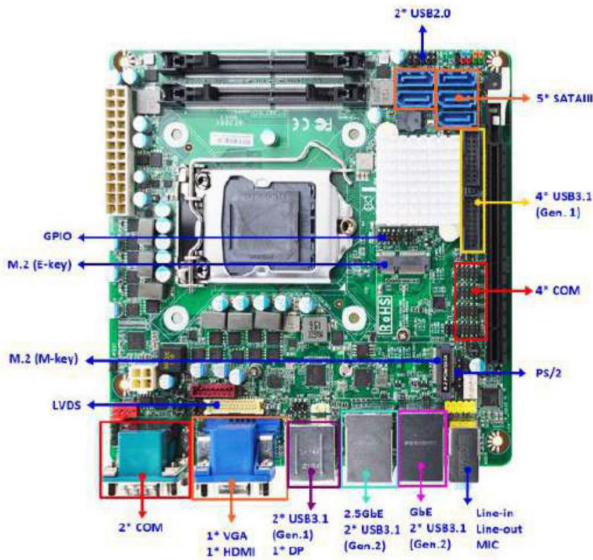
Modified: 01-15-2024

# PC SPECS

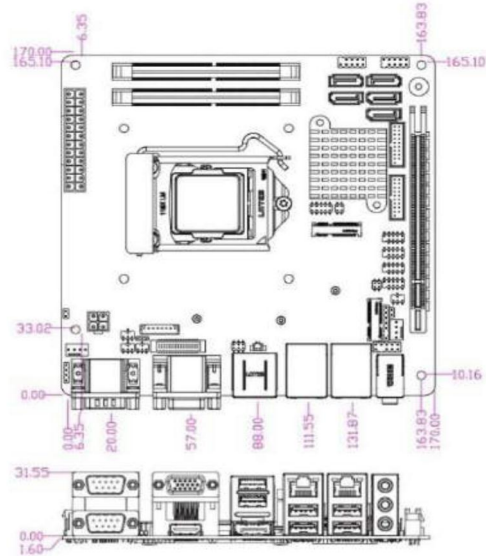
## FEATURES

- Intel® 8/9th LGA1151 Socket Processor (Max. 65W TDP)
- 2\* DDR4 2400/2666MHZ SO-DIMM up to 64GB
- 1\* HDMI, 1\* DP, 1\*VGA, 1\* LVDS
- 1\* GbE, 1\* 2.5GbE, 4\* RS232, 2\* RS232/422/485, 4\* USB3.1 (Gen.2), 6\* USB3.1 (Gen.1), 2\* USB2.0
- 1\* PCIe x16, 1\* M.2 M-key 2242/2280 (SATA/PClex4) support NVMe, 1\* M.2 E-key 2230 (PClex1/USB2.0) support CNVi, 5\* SATA III
- Support onboard TPM 2.0 (option)

## I/O DIAGRAM



## MECHANICAL DRAWINGS (unit=mm)



## SPECIFICATIONS

<b>Model</b>	JNF796V-Q370
<b>Processor System</b>	Intel® 8/9th LGA 1151 Socket Xeon E-series, Core i7/i5/i3/Pentium/Celeron Processor (Max. 65W TDP) Intel Q370 Express chipset AMI 128Mb Flash ROM BIOS
<b>Memory</b>	2* Dual CH DDR4 2400/2666MHZ SDRAM SO-DIMM up to 64GB
<b>Ethernet</b>	1* Intel i219LM GbE 1* Intel i225V 2.5GbE
<b>Rear I/O</b>	1* VGA 1* HDMI 1* DP 2* RJ45 4* USB3.1 (Gen. 2) 2* USB3.1 (Gen. 1) Line-in, Line-out, MIC 2* RS232/422/485
<b>Audio</b>	6 channel HD audio: Realtek ALC888S
<b>Power</b>	ATX PWR (4+24 pin), AT/ATX Supported - AT: Directly PWR on as Power input ready - ATX: Press Button to PWR on after Power input ready
<b>Temperature</b>	Operating: 0°C ~ 60°C Storage: -20°C ~ 85°C Humidity: 10% ~ 90% RH @40°C (non-condensing)
<b>Warranty</b>	2 Years Limited Warranty

<b>Form Factor</b>	Mini-ITX (6.7-in * 6.7-in, 170 * 170mm)
<b>Expansion Slot</b>	1* M.2 E-key 2230 (PClex1/USB2.0) support CNVi 1* PClex16 slot
<b>Graphics</b>	Intel® HD Graphics, shared memory 1* VGA (Max Resolution: 1920 x 1200@60Hz) 1* LVDS (Max Resolution: 1920 x 1200@60Hz) 1* HDMI 1.4 (Max Resolution: 4096 x 2160@30Hz) 1* DP (Max Resolution: 4096 x 2304@60Hz) Support Triple Displays
<b>Storage</b>	5* SATAIII (6Gb/s) support RAID 0, 1, 5, 10 1* M.2 M-key 2242/2280 (SATA/PClex4) support NVMe
<b>Internal Connector</b>	4* USB3.1 (Gen. 1) 2* USB 2.0 1* PS/2 1* LVDS / Inverter 4* COM 5* SATAIII 1* M.2 E-key (2230) 1* M.2 M-key (2242/2280) 1* GPIO (8 bit) 1* Chassis intrusion 1* Audio Header 1* SMBUS 1* AT mode Support onboard TPM2.0 (option)
<b>Watchdog Timer</b>	From Super I/O to drag RESETCON# 256 segments (10sec ~ 255min)
<b>Compliance</b>	CE, FCC, LVD, RoHS, REACH
<b>OS Support</b>	Windows, Linux