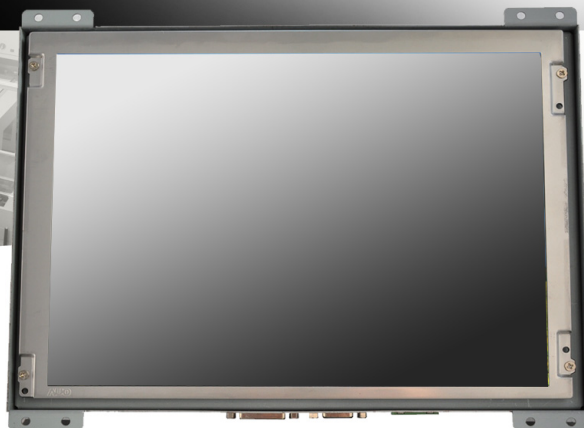


INDUSTRIAL OPEN FRAME LCD

12.1" Wide Open frame LCD Rear OSD with Rear Housing
500nits TFT LCD, 1280x800, VGA + DVI Input

Model: COPW1210



FEATURES:

- High Contrast color TFT LCD Monitor support resolution up to WXGA(1280x800)
- Power management system conforms to VESA DPMS and EPA Energy Star standards.
- Full consideration for touch screen installation and application.
- Universal Power adapter.
- Support DDC1 & DDC2B for Plug & Play compatibility.
- Advanced OSD control for picture quality adjustment.
- Detachable stand for wall-mounting application.
- Heavy duty Monitor with steel frame.

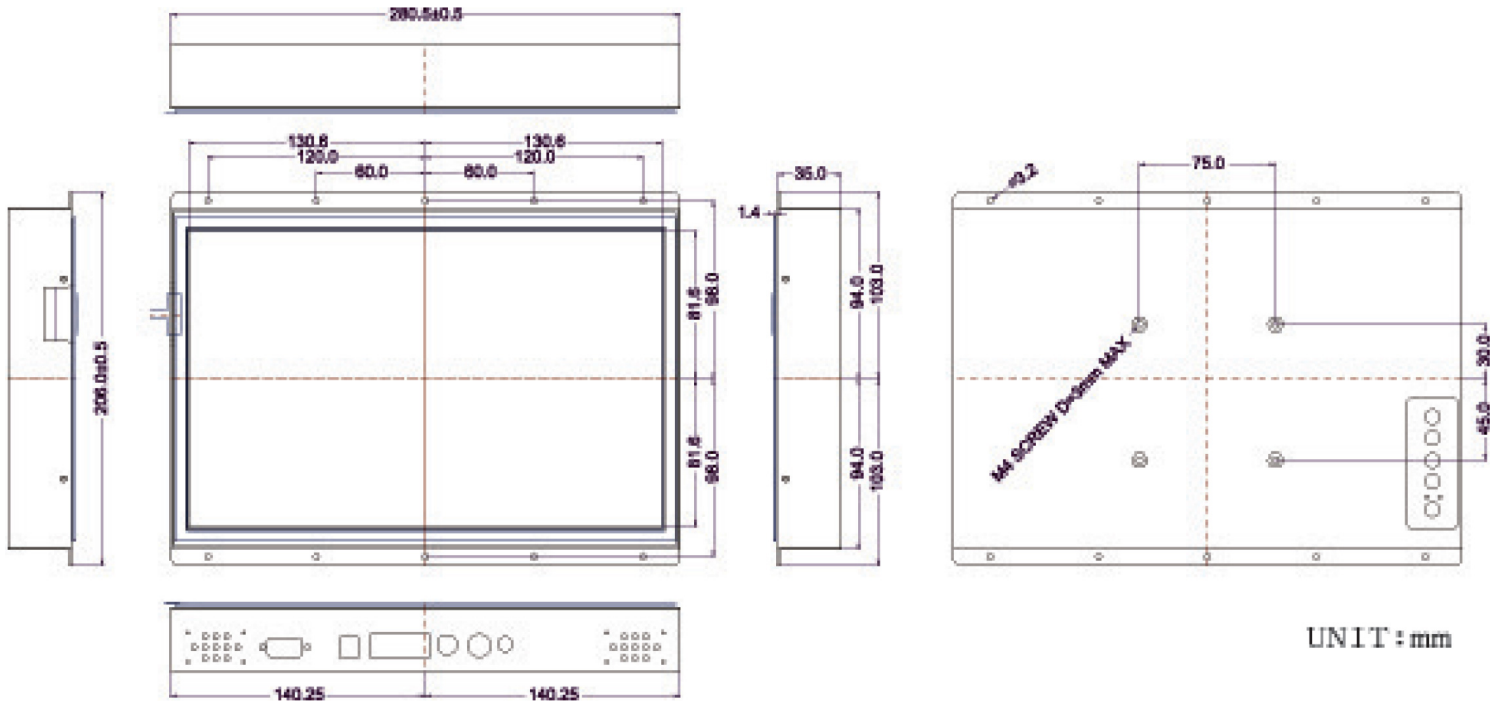
SPECIFICATIONS:

Display	Viewing Size Image	12.1" (16:10)
	Active Display Area (mm)	261.12 (H) x 163.2 (V)
	Pixel Pitch (mm)	0.204 x 0.204
	Resolution	1280 x 800
	Contrast Ratio	1000 : 1 (typ.)
	Color	262k/16.2M
	Brightness	500 cd/m ²
	Viewing Angle	-89~89 (H) ; -89~89 (V)
	Recommended Resolution	1280 x 800 @ 60Hz
	Signal Connector	VGA,DVI
	Power	Source
Consumption		28W typical, normal operation
Management		VESA DPMS Compliant
Optional	Touch	Resistive, PCAP
	High Brightness	1000,1500
	Auto Dimming	YES
	POWER in	DC24V,DC9V~36V
	Remote Control	YES
	IO	AV,HDMI,DP

APPLICATIONS:



MECHANICAL DRAWING:



UNIT : mm